

Датчики уровня Float Gauge LTC2230

Технические характеристики

По вопросам продаж и поддержки обращайтесь:

Алматы (7273)495-231
Ангарск (3955)60-70-56
Архангельск (8182)63-90-72
Астрахань (8512)99-46-04
Барнаул (3852)73-04-60
Белгород (4722)40-23-64
Благовещенск (4162)22-76-07
Брянск (4832)59-03-52
Владивосток (423)249-28-31
Владикавказ (8672)28-90-48
Владимир (4922)49-43-18
Волгоград (844)278-03-48
Вологда (8172)26-41-59
Воронеж (473)204-51-73
Екатеринбург (343)384-55-89

Иваново (4932)77-34-06
Ижевск (3412)26-03-58
Иркутск (395)279-98-46
Казань (843)206-01-48
Калининград (4012)72-03-81
Калуга (4842)92-23-67
Кемерово (3842)65-04-62
Киров (8332)68-02-04
Коломна (4966)23-41-49
Кострома (4942)77-07-48
Краснодар (861)203-40-90
Красноярск (391)204-63-61
Курск (4712)77-13-04
Курган (3522)50-90-47
Липецк (4742)52-20-81

Магнитогорск (3519)55-03-13
Москва (495)268-04-70
Мурманск (8152)59-64-93
Набережные Челны (8552)20-53-41
Нижний Новгород (831)429-08-12
Новокузнецк (3843)20-46-81
Ноябрьск (3496)41-32-12
Новосибирск (383)227-86-73
Омск (3812)21-46-40
Орел (4862)44-53-42
Оренбург (3532)37-68-04
Пенза (8412)22-31-16
Петрозаводск (8142)55-98-37
Псков (8112)59-10-37
Пермь (342)205-81-47

Ростов-на-Дону (863)308-18-15
Рязань (4912)46-61-64
Самара (846)206-03-16
Санкт-Петербург (812)309-46-40
Саратов (845)249-38-78
Севастополь (8692)22-31-93
Саранск (8342)22-96-24
Симферополь (3652)67-13-56
Смоленск (4812)29-41-54
Сочи (862)225-72-31
Ставрополь (8652)20-65-13
Сургут (3462)77-98-35
Сыктывкар (8212)25-95-17
Тамбов (4752)50-40-97
Тверь (4822)63-31-35

Тольятти (8482)63-91-07
Томск (3822)98-41-53
Тула (4872)33-79-87
Тюмень (3452)66-21-18
Ульяновск (8422)24-23-59
Улан-Удэ (3012)59-97-51
Уфа (347)229-48-12
Хабаровск (4212)92-98-04
Чебоксары (8352)28-53-07
Челябинск (351)202-03-61
Череповец (8202)49-02-64
Чита (3022)38-34-83
Якутск (4112)23-90-97
Ярославль (4852)69-52-93

Россия +7(495)268-04-70

Казахстан +7(7172)727-132

Киргизия +996(312)96-26-47

эл.почта: ehr@nt-rt.ru || сайт: <https://endcounters.nt-rt.ru/>



Level



Pressure



Flow



Temperature



Liquid
Analysis



Registration



Systems
Components



Services



Solutions

Technical Information

Float Gauge LTC2230



Application

Float gauge LTC2230/LTC2240 is for compact tanks. Since LTC gauge head and its parts are compact and simple by design, it is easily installed virtually maintenance free. LTC2230 (45° Upward Display) and LTC2240 (45° Downward Display) is designed especially for underground tanks or installation in compact spaces. When LTC is combined with a transmitter (AT-series), remote transmission or alerts are possible.

Features and Benefits

- Low Cost
- A large gauge face makes the indicator easily readable, even from a distance.
- Remote tank gauging can be performed easily with transmitter installed.
- Suitable for highly corrosive and viscous liquid when proper materials and LTC-series components are selected.

Table of Contents

Function and System Design	3	Operation Condition: Installation	6
Operating Principle	3	LTC2230/LTC2240	6
Standard Specification	4	Transmitter (Remote Indicator)	6
Measuring Range	4	Analog Transmitter AT1000	6
Display	4	Alarm Transmitter AT5000	6
Accuracy	4	Order Information	7
Maximum Operating Pressure	4	LTC2230 (Display: Upward)	7
Measuring Specific Density Range	4	LTC2240 (Display: Downward)	8
Total Weight	4	Documentation	9
Allowable Temperature Range	4	Technical Information	9
Process Connection	4	Operating Instructions	9
Dimensions	5		
LTC2230	5		
LTC2240	5		

Function and System Design

Operating Principle

LTC2230/LTC2240 consists primarily of float, measuring wire, and gauge head. The measuring wire, connected to the float, detects liquid level and transmits it to the gauge head. A wire drum provides constant torque to the measuring wire wound around it, by means of a conster, as it rotates. The rotation of the wire drum detected by the indicator, as it passes through gears, to show the liquid level inside a tank. The conster and float always maintain equilibrium. Thus, the up and down float movement remains precise and is instantly displayed as a liquid level on the indicator.

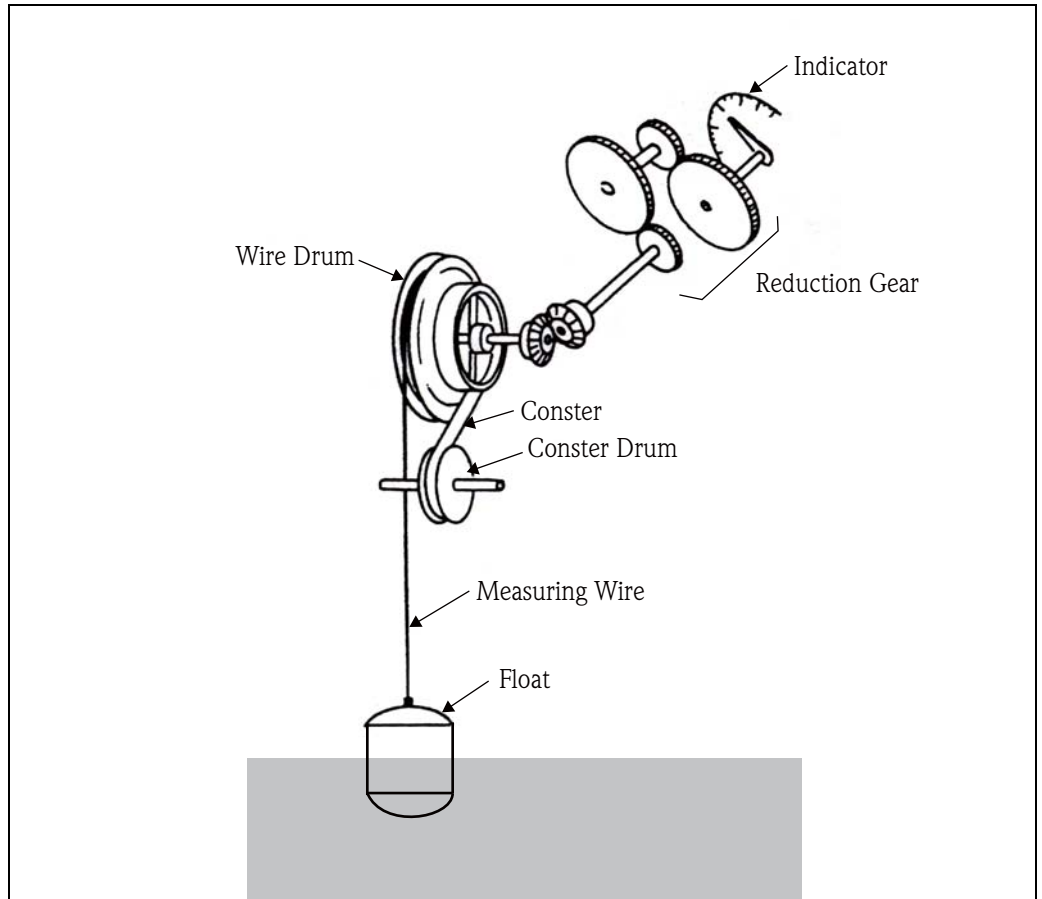


Figure 1: LTC Operation

Standard Specification

Measuring Range 0 to 2.5m, 5m, 10m

Display Dial 1 Pointer

Accuracy $\pm 30\text{mm}$ ($\rho = 1\text{g/cm}^3$)

Maximum Operating Pressure Max. 20kPa

Measuring Specific Density Range 0.5 to 2.0g/cm³

Total Weight LTC2230: 8kg
LTC2240: 8kg

Allowable Temperature Range -20 to +60°C

Process Connection 10K 150A RF, SS400 flange JIS B2220
6" 150lbs RF, SS400 flange ANSI B16.5

Dimensions

LTC2230

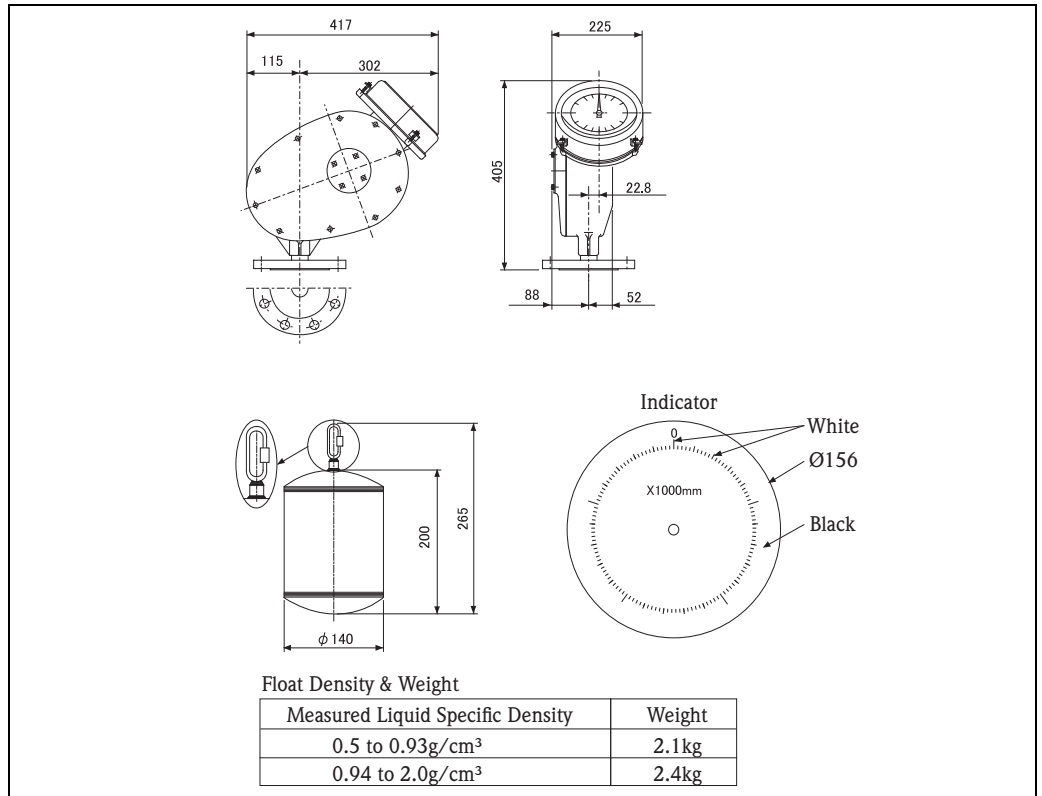


Figure 2: LTC2230 Dimensions

LTC2240

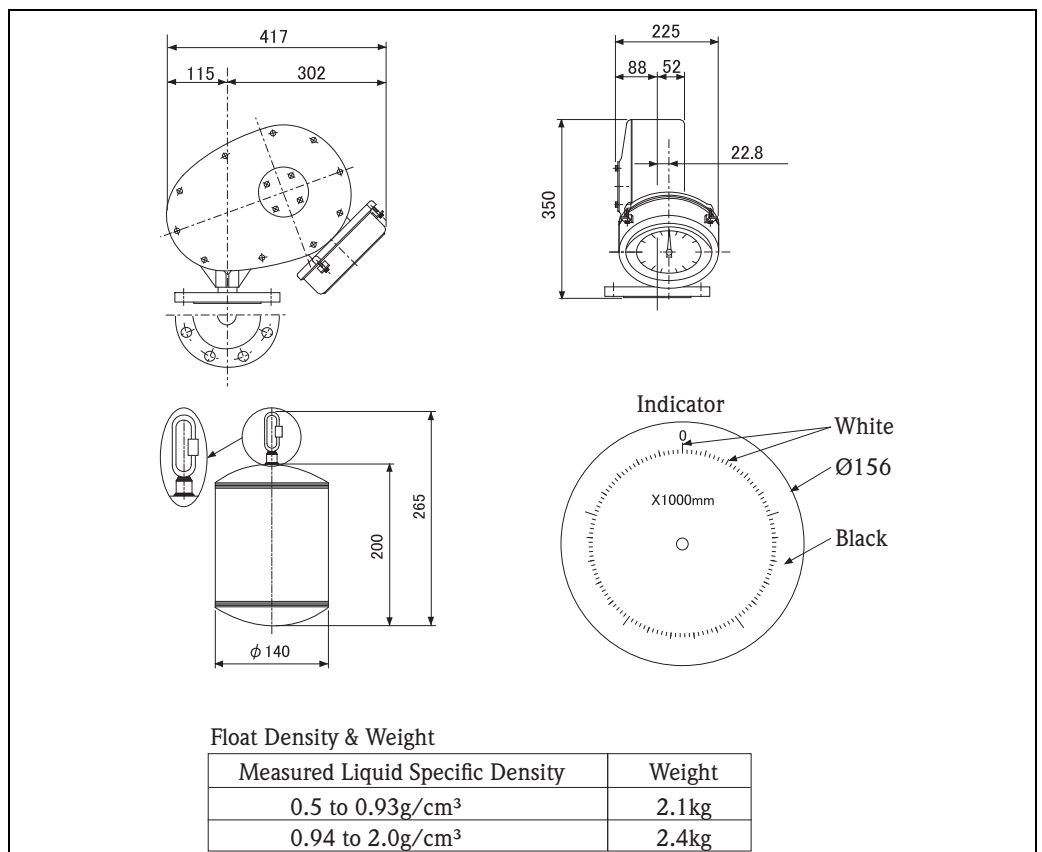


Figure 3: LTC2240 Dimensions

Operation Condition: Installation

LTC2230/LTC2240

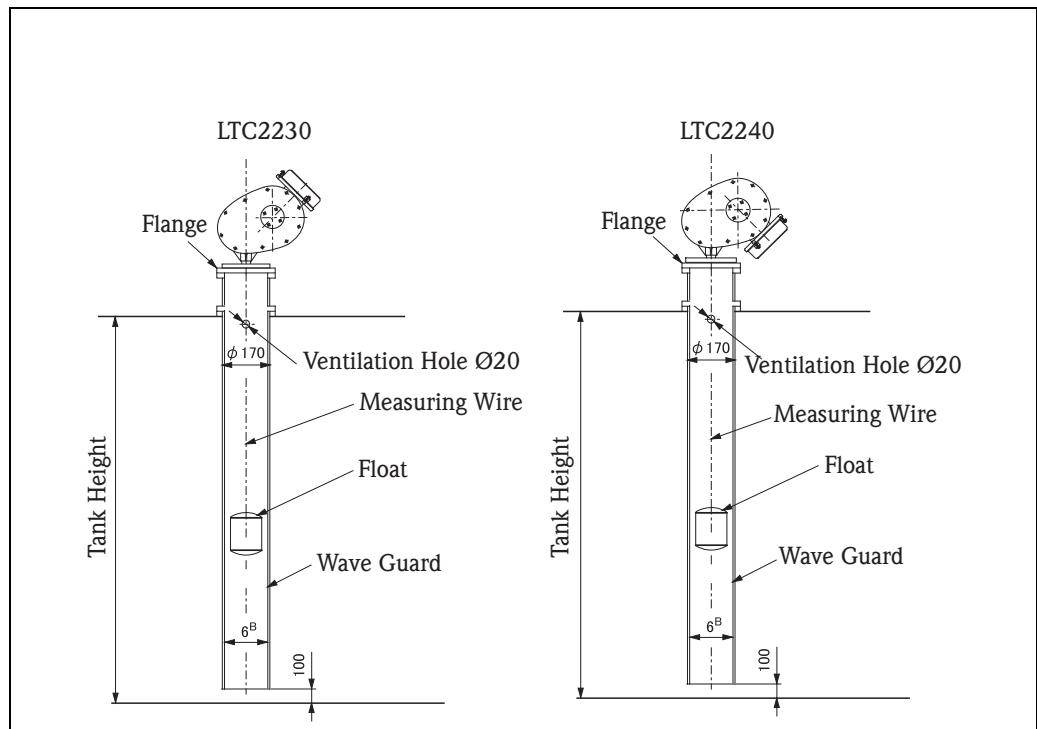


Figure 4: LTC Installation

Transmitter (Remote Indicator)

Analog Transmitter AT1000

AT 1000 series is used in conjunction with the LTC series gauge head to convert readings into such electrical signals as current, voltage, and resistance. It can also provide up to 6 alarm contact points.

Analog Transmitter AT5000

AT 5000 series is used in conjunction with the LTC series gauge head to provide up to 6 alarm contact points for controlling pumps, valves, etc..



Figure 5: Transmitter

Order Information

LTC2230 (Display: Upward)

010	Function:	
	0	Basic version
	9	Special version, TSP-no. to be spec.
020	Process Connection:	
	0	10K 150A RF, SS400 flange JIS B2220
	1	6" 150lbs RF, SS400 flange ANSI B16.5
	9	Special version, TSP-no. to be spec.
030	Measuring Range:	
	1	2.5m
	2	5m
	3	10m
	9	Special version, TSP-no. to be spec.
040	Display:	
	1	Dial 1 pointer
	9	Special version, TSP-no. to be spec.
050	Application:	
	000	Gauge head only
	081	Standard application
	999	Special version, TSP-no. to be spec.
060	Float:	
	1	2.1kg, d=140mm (0.5-0.93g/cm ³)
	2	2.4kg, d=140mm (0.94-2.0g/cm ³)
	3	Not selected
	9	Special version, TSP-no. to be spec.
070	Colour:	
	0	Sliver
	9	Special version, TSP-no. to be spec.
LTC2230-	Order code	

**LTC2240 (Display:
Downward)**

010	Function:			
	0	Basic version		
	9	Special version, TSP-no. to be spec.		
020	Process Connection:			
	0	10K 150A RF, SS400 flange JIS B2220		
	1	6" 150lbs RF, SS400 flange ANSI B16.5		
	9	Special version, TSP-no. to be spec.		
030	Measuring Range:			
	1	2.5m		
	2	5m		
	3	10m		
	9	Special version, TSP-no.to be spec.		
040	Display:			
	1	Dial 1 pointer		
	9	Special version, TSP-no.to be spec.		
050	Application:			
	000	Gauge head only		
	083	Standard application		
	999	Special version, TSP-no.to be spec.		
060	Float:			
	1	2.1kg, d=140mm (0.5-0.93g/cm ³)		
	2	2.4kg, d=140mm (0.94-2.0g/cm ³)		
	3	Not selected		
	9	Special version, TSP-no.to be spec.		
070	Colour:			
	0	Sliver		
	9	Special version, TSP-no.to be spec.		
LTC2230-				Order code

По вопросам продаж и поддержки обращайтесь:

Алматы (7273)495-231
Ангарск (3955)60-70-56
Архангельск (8182)63-90-72
Астрахань (8512)99-46-04
Барнаул (3852)73-04-60
Белгород (4722)40-23-64
Благовещенск (4162)22-76-07
Брянск (4832)59-03-52
Владивосток (423)249-28-31
Владикавказ (8672)28-90-48
Владимир (4922)49-43-18
Волгоград (844)278-03-48
Вологда (8172)26-41-59
Воронеж (473)204-51-73
Екатеринбург (343)384-55-89

Иваново (4932)77-34-06
Ижевск (3412)26-03-58
Иркутск (395)279-98-46
Казань (843)206-01-48
Калининград (4012)72-03-81
Калуга (4842)92-23-67
Кемерово (3842)65-04-62
Киров (8332)68-02-04
Коломна (4966)23-41-49
Кострома (4942)77-07-48
Краснодар (861)203-40-90
Красноярск (391)204-63-61
Курск (4712)77-13-04
Курган (3522)50-90-47
Липецк (4742)52-20-81

Магнитогорск (3519)55-03-13
Москва (495)268-04-70
Мурманск (8152)59-64-93
Набережные Челны (8552)20-53-41
Нижний Новгород (831)429-08-12
Новокузнецк (3843)20-46-81
Ноябрьск (3496)41-32-12
Новосибирск (383)227-86-73
Омск (3812)21-46-40
Орел (4862)44-53-42
Оренбург (3532)37-68-04
Пенза (8412)22-31-16
Петрозаводск (8142)55-98-37
Псков (8112)59-10-37
Пермь (342)205-81-47

Ростов-на-Дону (863)308-18-15
Рязань (4912)46-61-64
Самара (846)206-03-16
Санкт-Петербург (812)309-46-40
Саратов (845)249-38-78
Севастополь (8692)22-31-93
Саранск (8342)22-96-24
Симферополь (3652)67-13-56
Смоленск (4812)29-41-54
Сочи (862)225-72-31
Ставрополь (8652)20-65-13
Сургут (3462)77-98-35
Сыктывкар (8212)25-95-17
Тамбов (4752)50-40-97
Тверь (4822)63-31-35

Тольятти (8482)63-91-07
Томск (3822)98-41-53
Тула (4872)33-79-87
Тюмень (3452)66-21-18
Ульяновск (8422)24-23-59
Улан-Удэ (3012)59-97-51
Уфа (347)229-48-12
Хабаровск (4212)92-98-04
Чебоксары (8352)28-53-07
Челябинск (351)202-03-61
Череповец (8202)49-02-64
Чита (3022)38-34-83
Якутск (4112)23-90-97
Ярославль (4852)69-52-93

Россия +7(495)268-04-70

Казахстан +7(7172)727-132

Киргизия +996(312)96-26-47

эл.почта: ehr@nt-rt.ru || сайт: <https://endcounters.nt-rt.ru/>