

Кориолисовые массовые расходомеры LNGmass D8LB

Технические характеристики

По вопросам продаж и поддержки обращайтесь:

Алматы (7273)495-231
Ангарск (3955)60-70-56
Архангельск (8182)63-90-72
Астрахань (8512)99-46-04
Барнаул (3852)73-04-60
Белгород (4722)40-23-64
Благовещенск (4162)22-76-07
Брянск (4832)59-03-52
Владивосток (423)249-28-31
Владикавказ (8672)28-90-48
Владимир (4922)49-43-18
Волгоград (844)278-03-48
Вологда (8172)26-41-59
Воронеж (473)204-51-73
Екатеринбург (343)384-55-89

Иваново (4932)77-34-06
Ижевск (3412)26-03-58
Иркутск (395)279-98-46
Казань (843)206-01-48
Калининград (4012)72-03-81
Калуга (4842)92-23-67
Кемерово (3842)65-04-62
Киров (8332)68-02-04
Коломна (4966)23-41-49
Кострома (4942)77-07-48
Краснодар (861)203-40-90
Красноярск (391)204-63-61
Курск (4712)77-13-04
Курган (3522)50-90-47
Липецк (4742)52-20-81

Магнитогорск (3519)55-03-13
Москва (495)268-04-70
Мурманск (8152)59-64-93
Набережные Челны (8552)20-53-41
Нижний Новгород (831)429-08-12
Новокузнецк (3843)20-46-81
Ноябрьск (3496)41-32-12
Новосибирск (383)227-86-73
Омск (3812)21-46-40
Орел (4862)44-53-42
Оренбург (3532)37-68-04
Пенза (8412)22-31-16
Петрозаводск (8142)55-98-37
Псков (8112)59-10-37
Пермь (342)205-81-47

Ростов-на-Дону (863)308-18-15
Рязань (4912)46-61-64
Самара (846)206-03-16
Санкт-Петербург (812)309-46-40
Саратов (845)249-38-78
Севастополь (8692)22-31-93
Саранск (8342)22-96-24
Симферополь (3652)67-13-56
Смоленск (4812)29-41-54
Сочи (862)225-72-31
Ставрополь (8652)20-65-13
Сургут (3462)77-98-35
Сыктывкар (8212)25-95-17
Тамбов (4752)50-40-97
Тверь (4822)63-31-35

Тольятти (8482)63-91-07
Томск (3822)98-41-53
Тула (4872)33-79-87
Тюмень (3452)66-21-18
Ульяновск (8422)24-23-59
Улан-Удэ (3012)59-97-51
Уфа (347)229-48-12
Хабаровск (4212)92-98-04
Чебоксары (8352)28-53-07
Челябинск (351)202-03-61
Череповец (8202)49-02-64
Чита (3022)38-34-83
Якутск (4112)23-90-97
Ярославль (4852)69-52-93

Россия +7(495)268-04-70

Казахстан +7(7172)727-132

Киргизия +996(312)96-26-47

эл.почта: ehr@nt-rt.ru || сайт: <https://endcounters.nt-rt.ru/>

Technical Information

LNGmass

Coriolis flowmeter



The flowmeter for refueling applications with simple system integration

Application

- Measuring principle operates independently of physical fluid properties such as viscosity or density
- Accurate measurement of cryogenic gases in refueling applications

Device properties

- Flow rates up to 18 000 kg/h (660 lb/min)
- Medium temperature up to $-196\text{ }^{\circ}\text{C}$ ($-321\text{ }^{\circ}\text{F}$)
- Nominal diameter: DN 8 to 25 ($\frac{3}{8}$ to 1")
- Robust, compact transmitter housing
- Modbus RS485
- Designed to meet application needs

Your benefits

- Excellent operational safety – reliable under extreme ambient conditions
- Fewer process measuring points – multivariable measurement (flow, density, temperature)
- Space-saving installation – no in/outlet run needs
- Space-saving transmitter – full functionality on smallest footprint
- Fast commissioning – preconfigured devices
- Automatic recovery of data for servicing




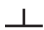


Table of contents

Document information	3	Process	20
Symbols used	3	Medium temperature range	20
Function and system design	4	Medium density	20
Measuring principle	4	Pressure-temperature ratings	20
Measuring system	5	Secondary containment pressure range	21
Device architecture	6	Flow limit	21
Input	6	Pressure loss	21
Measured variable	6	System pressure	21
Measuring range	6	Vibrations	21
Operable flow range	6	Mechanical construction	22
Output	7	Design, dimensions	22
Output signal	7	Weight	26
Signal on alarm	7	Materials	26
Ex connection data	7	Process connections	27
Low flow cut off	8	Operability	28
Galvanic isolation	8	Operating concept	28
Protocol-specific data	8	Remote operation	28
Power supply	9	Certificates and approvals	28
Terminal assignment	9	CE mark	28
Supply voltage	11	C-Tick symbol	28
Power consumption	11	Ex approval	28
Current consumption	11	Modbus RS485 certification	29
Power supply failure	12	Ordering information	29
Electrical connection	12	Accessories	29
Potential equalization	12	Communication-specific accessories	29
Terminals	13	Service-specific accessories	30
Cable entries	13	Supplementary documentation	30
Cable specification	13	Standard documentation	30
Performance characteristics	14	Supplementary device-dependent documentation	30
Reference operating conditions	14	Registered trademarks	31
Maximum measured error	14		
Repeatability	15		
Response time	15		
Influence of medium temperature	15		
Influence of medium pressure	16		
Design fundamentals	16		
Installation	16		
Mounting location	16		
Orientation	17		
Inlet and outlet runs	17		
Special mounting instructions	18		
Mounting Safety Barrier Promass 100	18		
Environment	18		
Ambient temperature range	18		
Storage temperature	19		
Climate class	19		
Degree of protection	19		
Shock resistance	19		
Vibration resistance	20		
Electromagnetic compatibility (EMC)	20		









Document information

Symbols used

Electrical symbols




Symbol	Meaning
 A0011197	Direct current A terminal to which DC voltage is applied or through which direct current flows.
 A0011198	Alternating current A terminal to which alternating voltage is applied or through which alternating current flows.
 A0017381	Direct current and alternating current <ul style="list-style-type: none"> ▪ A terminal to which alternating voltage or DC voltage is applied. ▪ A terminal through which alternating current or direct current flows.
 A0011200	Ground connection A grounded terminal which, as far as the operator is concerned, is grounded via a grounding system.
 A0011199	Protective ground connection A terminal which must be connected to ground prior to establishing any other connections.
 A0011201	Equipotential connection A connection that has to be connected to the plant grounding system: This may be a potential equalization line or a star grounding system depending on national or company codes of practice.

Symbols for certain types of information

Symbol	Meaning
 A0011182	Allowed Indicates procedures, processes or actions that are allowed.
 A0011183	Preferred Indicates procedures, processes or actions that are preferred.
 A0011184	Forbidden Indicates procedures, processes or actions that are forbidden.
 A0011193	Tip Indicates additional information.
 A0011194	Reference to documentation Refers to the corresponding device documentation.
 A0011195	Reference to page Refers to the corresponding page number.
 A0011196	Reference to graphic Refers to the corresponding graphic number and page number.
 A0015502	Visual inspection

Symbols in graphics

Symbol	Meaning
1, 2, 3, ...	Item numbers
1., 2., 3., ...	Series of steps
A, B, C, ...	Views
A-A, B-B, C-C, ...	Sections

Symbol	Meaning
 A0013441	Flow direction
 A0011187	Hazardous area Indicates a hazardous area.
 A0011188	Safe area (non-hazardous area) Indicates a non-hazardous area.

Function and system design

Measuring principle

The measuring principle is based on the controlled generation of Coriolis forces. These forces are always present in a system when both translational and rotational movements are superimposed.

$$F_c = 2 \cdot \Delta m (v \cdot \omega)$$

F_c = Coriolis force

Δm = moving mass

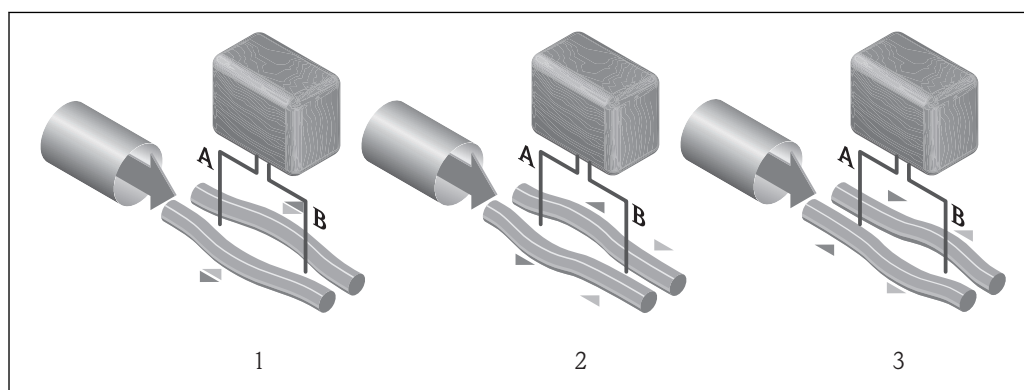
ω = rotational velocity

v = radial velocity in rotating or oscillating system

The amplitude of the Coriolis force depends on the moving mass Δm , its velocity v in the system and thus on the mass flow. Instead of a constant rotational velocity ω , the sensor uses oscillation.

In the sensor, two parallel measuring tubes containing flowing fluid oscillate in antiphase, acting like a tuning fork. The Coriolis forces produced at the measuring tubes cause a phase shift in the tube oscillations (see illustration):

- At zero flow (when the fluid is at a standstill) the two tubes oscillate in phase (1).
- Mass flow causes deceleration of the oscillation at the inlet of the tubes (2) and acceleration at the outlet (3).



A0016771

The phase difference (A-B) increases with increasing mass flow. Electrodynamic sensors register the tube oscillations at the inlet and outlet. System balance is ensured by the antiphase oscillation of the two measuring tubes. The measuring principle operates independently of temperature, pressure, viscosity, conductivity and flow profile.

Density measurement

The measuring tube is continuously excited at its resonance frequency. A change in the mass and thus the density of the oscillating system (comprising measuring tube and fluid) results in a corresponding, automatic adjustment in the oscillation frequency. Resonance frequency is thus a function of medium density. The microprocessor utilizes this relationship to obtain a density signal.

Volume measurement

Together with the measured mass flow, this is used to calculate the volume flow.

Temperature measurement

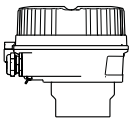
The temperature of the measuring tube is determined in order to calculate the compensation factor due to temperature effects. This signal corresponds to the process temperature and is also available as an output signal.

Measuring system

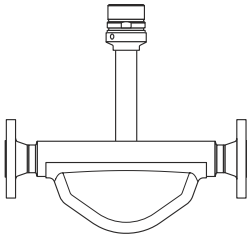
The device consists of a transmitter and a sensor. If a device with Modbus RS485 intrinsically safe is ordered, the Safety Barrier Promass 100 is part of the scope of supply and must be implemented to operate the device.

One device version is available: compact version, transmitter and sensor form a mechanical unit.

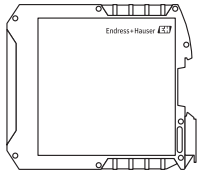
Transmitter

<p>LNGmass</p>  <p style="text-align: right; font-size: small;">A0016693</p>	<p>Device versions and materials: Compact, aluminum coated: Coated aluminum AISi10Mg</p> <p>Configuration: Via operating tools (e.g. FieldCare)</p>
--	--

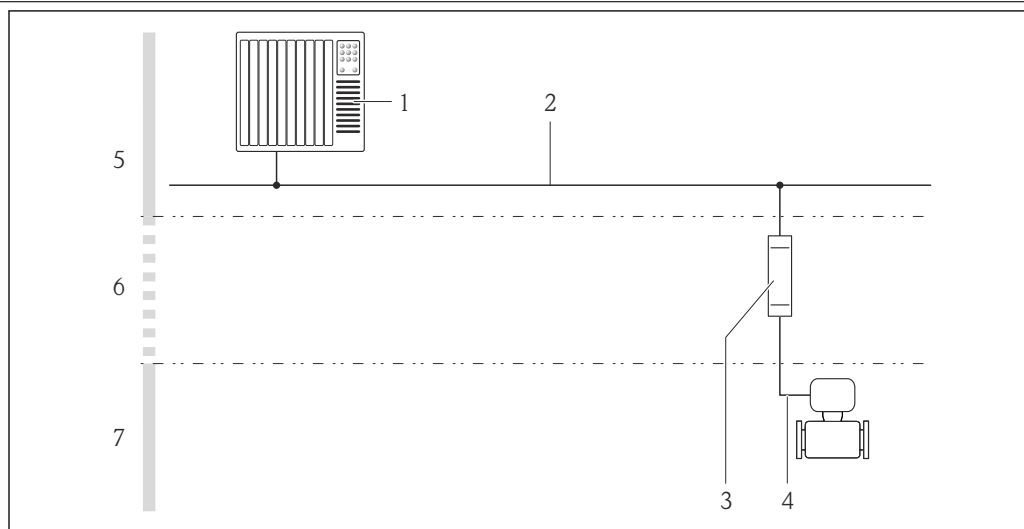
Sensor

<p>LNGmass</p>  <p style="text-align: right; font-size: small;">A0021741</p>	<ul style="list-style-type: none"> ■ Simultaneous measurement of flow, volume flow, density and temperature (multivariable) ■ Immune to process influences ■ Nominal diameter range: DN 8 to 25 (3/8 to 1") ■ Materials: <ul style="list-style-type: none"> - Sensor: stainless steel 1.4301 (304) - Measuring tubes: stainless steel 1.4539 (904L) - Process connections: stainless steel 1.4404 (316/316L)
---	--

Safety Barrier Promass 100

 <p style="text-align: right; font-size: small;">A0016763</p>	<ul style="list-style-type: none"> ■ Dual-channel safety barrier for installation in non-hazardous locations or Zone 2/Div. 2: <ul style="list-style-type: none"> - Channel 1: DC 24 V power supply - Channel 2: Modbus RS485 ■ In addition to current, voltage and power limitation, it offers galvanic isolation of circuits for explosion protection. ■ Easy top-hat rail mounting (DIN 35mm) for installation in control cabinets
--	---

Device architecture



A0021848

1 Possibilities for integrating measuring devices into a system

- 1 Control system (e.g. PLC)
- 2 Modbus RS485
- 3 Safety Barrier Promass 100
- 4 Modbus RS485 intrinsically safe
- 5 Non-hazardous area
- 6 Non-hazardous area and Zone 2/Div. 2
- 7 Intrinsically safe area and Zone 1/Div. 1

Input

Measured variable

Direct measured variables

- Mass flow
- Density
- Temperature

Calculated measured variables

- Volume flow
- Corrected volume flow
- Reference density

Measuring range

Measuring ranges for liquids

DN		Measuring range full scale values $\dot{m}_{\min(F)}$ to $\dot{m}_{\max(F)}$	
[mm]	[in]	[kg/h]	[lb/min]
8	$\frac{3}{8}$	0 to 2 000	0 to 73.5
15	$\frac{1}{2}$	0 to 6 500	0 to 238
25	1	0 to 18 000	0 to 660

Recommended measuring range

"Flow limit" section (→ [21](#))

Operable flow range

Over 1000 : 1.

Flow rates above the preset full scale value are not overridden by the electronics unit, with the result that the totalizer values are registered correctly.

Output

Output signal

Modbus RS485

Physical interface	In accordance with EIA/TIA-485-A standard
Terminating resistor	Integrated, can be activated via DIP switch on the transmitter electronics module

Signal on alarm

Depending on the interface, failure information is displayed as follows:


Modbus RS485

Failure mode	Choose from: <ul style="list-style-type: none"> ▪ NaN value instead of current value ▪ Last valid value
---------------------	---

Operating tool

Via service interface

Plain text display	With information on cause and remedial measures
---------------------------	---

Additional information on remote operation (→  28)

Light emitting diodes (LED)

Status information	Status indicated by various light emitting diodes The following information is displayed depending on the device version: <ul style="list-style-type: none"> ▪ Supply voltage active ▪ Data transmission active ▪ Device alarm/error has occurred
---------------------------	---

Ex connection data

These values only apply for the following device version:
Order code for "Output", option **M**: Modbus RS485, for use in intrinsically safe areas

Safety Barrier Promass 100

Safety-related values

Terminal numbers			
Supply voltage		Signal transmission	
2 (L-)	1 (L+)	26 (A)	27 (B)
$U_{nom} = DC\ 24\ V$ $U_{max} = AC\ 260\ V$		$U_{nom} = DC\ 5\ V$ $U_{max} = AC\ 260\ V$	

Intrinsically safe values

Terminal numbers			
Supply voltage		Signal transmission	
20 (L-)	10 (L+)	62 (A)	72 (B)
$U_o = 16.24\ V$ $I_o = 623\ mA$ $P_o = 2.45\ W$ For IIC*: $L_o = 92.8\ \mu H$, $C_o = 0.433\ \mu F$, $L_o/R_o = 14.6\ \mu H/\Omega$			

* The gas group depends on the sensor and nominal diameter.
For an overview and for information on the interdependencies between the gas group - sensor - nominal diameter, see the "Safety Instructions" (XA) document for the measuring device

Transmitter*Intrinsically safe values*

Order code for "Approvals"	Terminal numbers			
	Supply voltage		Signal transmission	
	20 (L-)	10 (L+)	62 (A)	72 (B)
<ul style="list-style-type: none"> ▪ Option BM: ATEX II2G + IECEx Z1 Ex ia, II2D Ex tb ▪ Option BU: ATEX II2G + IECEx Z1 Ex ia ▪ Option C2: CSA C/US IS Cl. I, II, III Div. 1 ▪ Option 85: ATEX II2G + IECEx Z1 Ex ia + CSA C/US IS Cl. I, II, III Div. 1 	$U_i = 16.24 \text{ V}$ $I_i = 623 \text{ mA}$ $P_i = 2.45 \text{ W}$ $L_i = 0 \text{ }\mu\text{H}$ $C_i = 6 \text{ nF}$			
<p>* The gas group depends on the sensor and nominal diameter. For an overview and for information on the interdependencies between the gas group - sensor - nominal diameter, see the "Safety Instructions" (XA) document for the measuring device</p>				

Low flow cut off

The switch points for low flow cut off are user-selectable.

Galvanic isolation

The following connections are galvanically isolated from each other:

- Outputs
- Power supply

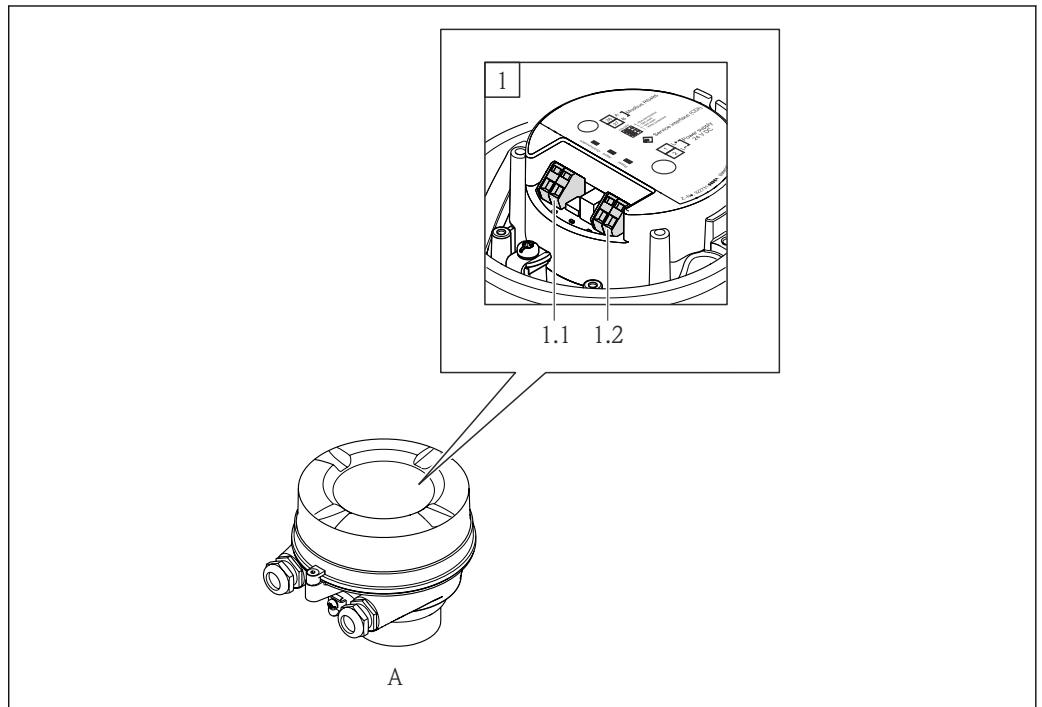
Protocol-specific data**Modbus RS485**

Protocol	Modbus Applications Protocol Specification V1.1
Device type	Slave
Slave address range	1 to 247
Broadcast address range	0
Function codes	<ul style="list-style-type: none"> ▪ 03: Read holding register ▪ 04: Read input register ▪ 06: Write single registers ▪ 08: Diagnostics ▪ 16: Write multiple registers ▪ 23: Read/write multiple registers
Broadcast messages	Supported by the following function codes: <ul style="list-style-type: none"> ▪ 06: Write single registers ▪ 16: Write multiple registers ▪ 23: Read/write multiple registers
Supported baud rate	<ul style="list-style-type: none"> ▪ 1 200 BAUD ▪ 2 400 BAUD ▪ 4 800 BAUD ▪ 9 600 BAUD ▪ 19 200 BAUD ▪ 38 400 BAUD ▪ 57 600 BAUD ▪ 115 200 BAUD
Data transfer mode	<ul style="list-style-type: none"> ▪ ASCII ▪ RTU
Data access	Each device parameter can be accessed via Modbus RS485. For Modbus register information (→ 30)

Power supply

Terminal assignment

Overview: housing version



A0021856

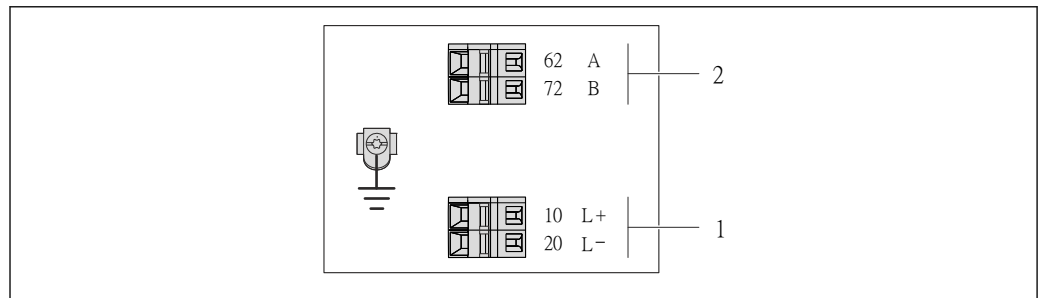
- A Housing version: compact, aluminum coated
- 1 Connection version: Modbus RS485
- 1.1 Signal transmission
- 1.2 Supply voltage

Transmitter

Modbus RS485 connection version, for use in intrinsically safe areas

Order code for "Output", option **M** (connection via Safety Barrier Promass 100)

Order code for "Housing"	Connection methods available		Possible options for order code "Electrical connection"
	Output	Power supply	
Options A	Terminals	Terminals	<ul style="list-style-type: none"> ■ Option B: thread M20x1 ■ Option C: thread G ½" ■ Option D: thread NPT ½"
Order code for "Housing": Option A : compact, coated aluminum			



A0017053

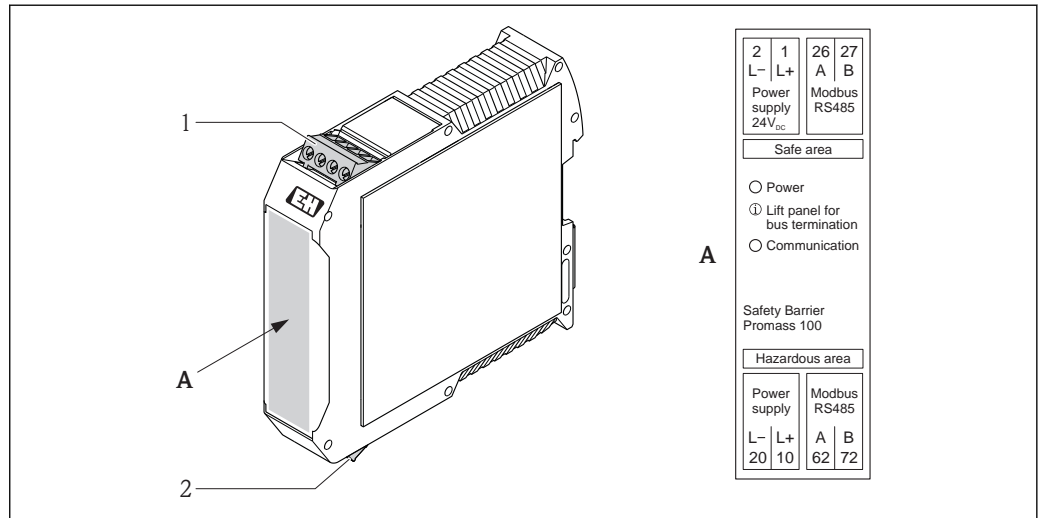
2 *Modbus RS485 terminal assignment, connection version for use in intrinsically safe areas (connection via Safety Barrier Promass 100)*

1 *Intrinsically safe power supply*

2 *Modbus RS485*

Order code for "Output"	20 (L-)	10 (L+)	72 (B)	62 (A)
Option M	Intrinsically safe supply voltage		Modbus RS485 intrinsically safe	
Order code for "Output": Option M : Modbus RS485, for use in intrinsically safe areas (connection via Safety Barrier Promass 100)				

Safety Barrier Promass 100



3 Safety Barrier Promass 100 with terminals

- 1 Non-hazardous area and Zone 2/Div. 2
- 2 Intrinsically safe area

Supply voltage

Transmitter

- For device version with all communication types except Modbus RS485 intrinsically safe: DC 20 to 30 V
- For device version with Modbus RS485 intrinsically safe: power supply via Safety Barrier Promass 100

The power unit must be tested to ensure it meets safety requirements (e.g. PELV, SELV).

Safety Barrier Promass 100

DC 20 to 30 V

Power consumption

Transmitter

Order code for "Output"	Maximum Power consumption
Option M : Modbus RS485, for use in intrinsically safe areas	2.45 W

Safety Barrier Promass 100

Order code for "Output"	Maximum Power consumption
Option M : Modbus RS485, for use in intrinsically safe areas	4.8 W

Current consumption

Transmitter

Order code for "Output"	Maximum Current consumption	Maximum switch-on current
Option M : Modbus RS485, for use in intrinsically safe areas	145 mA	16 A (<0.4 ms)

Safety Barrier Promass 100

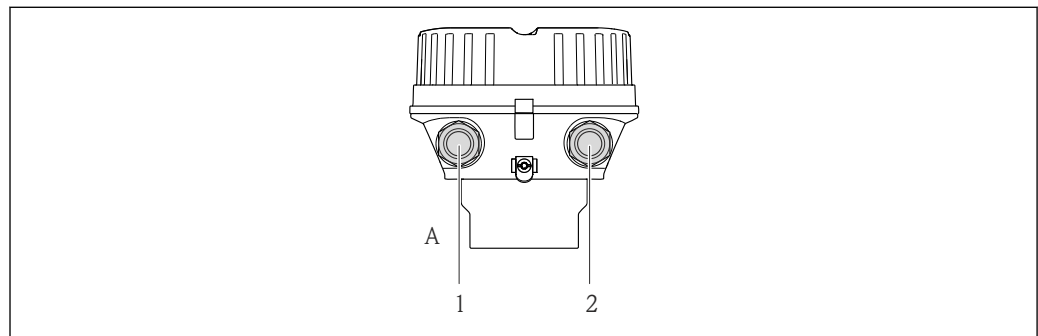
Order code for "Output"	Maximum Current consumption	Maximum switch-on current
Option M : Modbus RS485, for use in intrinsically safe areas	230 mA	10 A (<0.8 ms)

Power supply failure

- Totalizers stop at the last value measured.
- Configuration is retained in the device memory.
- Error messages (incl. total operated hours) are stored.

Electrical connection

Connecting the transmitter



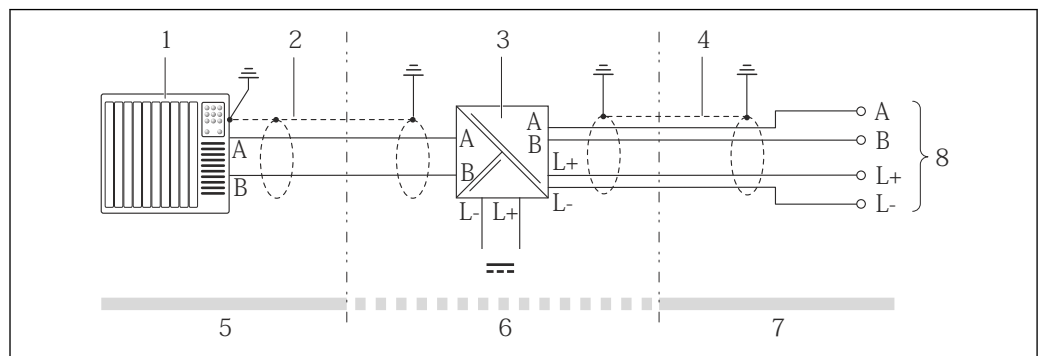
A0019824

- A Housing version: compact, aluminum coated
 1 Cable entry for signal transmission
 2 Cable entry for supply voltage

Terminal assignment (→ 10)

Connection examples

Modbus RS485



A0016804

4 Connection example for Modbus RS485 intrinsically safe

- 1 Control system (e.g. PLC)
- 2 Cable shield, observe cable specifications (→ 13)
- 3 Safety Barrier Promass 100
- 4 Observe cable specifications (→ 13)
- 5 Non-hazardous area
- 6 Non-hazardous area and Zone 2/Div. 2
- 7 Intrinsically safe area
- 8 Transmitter

Potential equalization

No special measures for potential equalization are required.

For devices intended for use in hazardous locations, please observe the guidelines in the Ex documentation (XA).

Terminals	<p>Transmitter Spring terminals for wire cross-sections 0.5 to 2.5 mm² (20 to 14 AWG)</p> <p>Safety Barrier Promass 100 Plug-in screw terminals for wire cross-sections 0.5 to 2.5 mm² (20 to 14 AWG)</p>
------------------	---

Cable entries	<ul style="list-style-type: none"> ■ Cable gland: M20 × 1.5 with cable ϕ6 to 12 mm (0.24 to 0.47 in) ■ Thread for cable entry: <ul style="list-style-type: none"> - NPT 1/2" - G 1/2" - M20
----------------------	---

Cable specification	<p>Permitted temperature range</p> <ul style="list-style-type: none"> ■ -40 °C (-40 °F) to +80 °C (+176 °F) ■ Minimum requirement: cable temperature range \geq ambient temperature +20 K <p>Power supply cable Standard installation cable is sufficient.</p> <p>Signal cable</p> <p><i>Modbus RS485</i></p> <p>The EIA/TIA-485 standard specifies two types of cable (A and B) for the bus line which can be used for every transmission rate. Cable type A is recommended.</p>
----------------------------	---

Cable type	A
Characteristic impedance	135 to 165 Ω at a measuring frequency of 3 to 20 MHz
Cable capacitance	<30 pF/m
Wire cross-section	>0.34 mm ² (22 AWG)
Cable type	Twisted pairs
Loop resistance	\leq 110 Ω /km
Signal damping	Max. 9 dB over the entire length of the cable cross-section
Shielding	Copper braided shielding or braided shielding with foil shield. When grounding the cable shield, observe the grounding concept of the plant.

Connecting cable between Safety Barrier Promass 100 and measuring device

Cable type	Shielded twisted-pair cable with 2x2 wires. When grounding the cable shield, observe the grounding concept of the plant.
Maximum cable resistance	2.5 Ω , one side

- ▶ Comply with the maximum cable resistance specifications to ensure the operational reliability of the measuring device.


The maximum cable length for individual wire cross-sections is specified in the table below. Observe the maximum capacitance and inductance per unit length of the cable and connection values for hazardous areas (\rightarrow 7).

Wire cross-section		Maximum cable length	
[mm ²]	[AWG]	[m]	[ft]
0.5	20	70	230
0.75	18	100	328
1.0	17	100	328

Wire cross-section		Maximum cable length	
[mm ²]	[AWG]	[m]	[ft]
1.5	16	200	656
2.5	14	300	984

Performance characteristics

Reference operating conditions

- Error limits based on ISO 11631
 - Water with +15 to +45 °C (+59 to +113 °F) at 2 to 6 bar (29 to 87 psi)
 - Specifications as per calibration protocol
 - Accuracy based on accredited calibration rigs that are traced to ISO 17025.
- To obtain measured errors, use the *Applicator* sizing tool (→  30)

Maximum measured error

o.r. = of reading; 1 g/cm³ = 1 kg/l; T = medium temperature

Base accuracy

Mass flow and volume flow (liquids)

±0.15 % o.r.

Design fundamentals (→  16)

Density (liquids)

- Reference conditions: ±0.0005 g/cm³
- Standard density calibration: ±0.02 g/cm³
(valid over the entire temperature range and density range)

Temperature

±0.5 °C ± 0.005 · T °C (±0.9 °F ± 0.003 · (T - 32) °F)

Zero point stability

DN		Zero point stability	
[mm]	[in]	[kg/h]	[lb/min]
8	$\frac{3}{8}$	0.2	0.0074
15	$\frac{1}{2}$	0.65	0.0239
25	1	1.8	0.0662

Flow values

Flow values as turndown parameter depending on nominal diameter.

SI units

DN	1:1	1:10	1:20	1:50	1:100	1:500
	[kg/h]	[kg/h]	[kg/h]	[kg/h]	[kg/h]	[kg/h]
8	2000	200	100	40	20	4
15	6500	650	325	130	65	13
25	18000	1800	900	360	180	36

US units

DN	1:1	1:10	1:20	1:50	1:100	1:500
[inch]	[lb/min]	[lb/min]	[lb/min]	[lb/min]	[lb/min]	[lb/min]
$\frac{3}{8}$	73.5	7.35	3.675	1.47	0.735	0.147
$\frac{1}{2}$	238	23.8	11.9	4.76	2.38	476
1	660	66	33	13.2	6.6	1.32

Repeatability

o.r. = of reading; $1 \text{ g/cm}^3 = 1 \text{ kg/l}$; T = medium temperature

Base repeatability

Mass flow and volume flow (liquids)

$\pm 0.075 \%$ o.r.

Design fundamentals (\rightarrow 16)

Density (liquids)

$\pm 0.00025 \text{ g/cm}^3$

Temperature

$\pm 0.25 \text{ }^\circ\text{C} \pm 0.0025 \cdot T \text{ }^\circ\text{C}$ ($\pm 0.45 \text{ }^\circ\text{F} \pm 0.0015 \cdot (T-32) \text{ }^\circ\text{F}$)

Response time

- The response time depends on the configuration (damping).
- Response time in the event of erratic changes in the measured variable (only mass flow): after 100 ms, 95 % of the full scale value

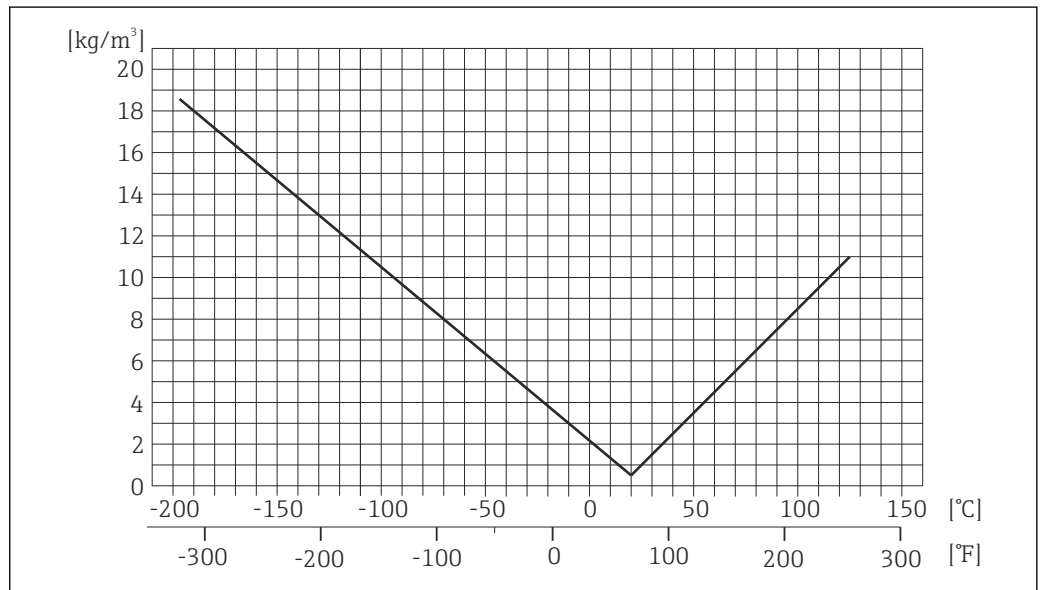
Influence of medium temperature

Mass flow and volume flow

When there is a difference between the temperature for zero point adjustment and the process temperature, the typical measured error of the sensor is $\pm 0.0002 \%$ of the full scale value/ $^\circ\text{C}$ ($\pm 0.0001 \%$ of the full scale value/ $^\circ\text{F}$).

Density

When there is a difference between the density calibration temperature and the process temperature, the typical measured error of the sensor is $\pm 0.0001 \text{ g/cm}^3 \text{ }^\circ\text{C}$ ($\pm 0.00005 \text{ g/cm}^3 \text{ }^\circ\text{F}$). Field density calibration is possible.



5 Field density calibration, for example at $+20 \text{ }^\circ\text{C}$ ($+68 \text{ }^\circ\text{F}$)

Temperature

$\pm 0.005 \cdot T \text{ }^\circ\text{C}$ ($\pm 0.005 \cdot (T - 32) \text{ }^\circ\text{F}$)

Influence of medium pressure

A difference between the calibration pressure and process pressure does not affect accuracy.

Design fundamentals

o.r. = of reading, o.f.s. = of full scale value

BaseAccu = base accuracy in % o.r., BaseRepeat = base repeatability in % o.r.

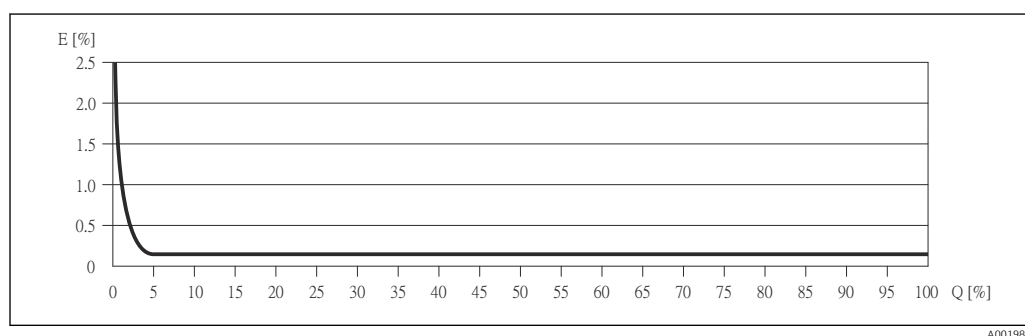
MeasValue = measured value; ZeroPoint = zero point stability

Calculation of the maximum measured error as a function of the flow rate

Flow rate	Maximum measured error in % o.r.
$\geq \frac{\text{ZeroPoint}}{\text{BaseAccu}} \cdot 100$ A0021332	$\pm \text{BaseAccu}$ A0021339
$< \frac{\text{ZeroPoint}}{\text{BaseAccu}} \cdot 100$ A0021333	$\pm \frac{\text{ZeroPoint}}{\text{MeasValue}} \cdot 100$ A0021334

Calculation of the maximum repeatability as a function of the flow rate

Flow rate	Maximum repeatability in % o.r.
$\geq \frac{1/2 \cdot \text{ZeroPoint}}{\text{BaseRepeat}} \cdot 100$ A0021335	$\pm \text{BaseRepeat}$ A0021340
$< \frac{1/2 \cdot \text{ZeroPoint}}{\text{BaseRepeat}} \cdot 100$ A0021336	$\pm 1/2 \cdot \frac{\text{ZeroPoint}}{\text{MeasValue}} \cdot 100$ A0021337

Example for max. measured error

E Error: Maximum measured error as % o.r. (example)

Q Flow rate as %

Design fundamentals (→ 16)

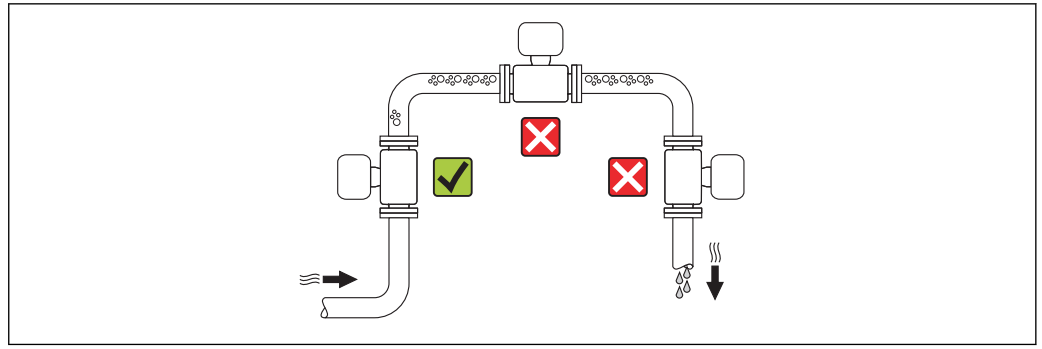
Installation

No special measures such as supports are necessary. External forces are absorbed by the construction of the device.

Mounting location

To prevent measuring errors arising from accumulation of gas bubbles in the measuring tube, avoid the following mounting locations in the pipe:

- Highest point of a pipeline.
- Directly upstream of a free pipe outlet in a down pipe.



A0015595

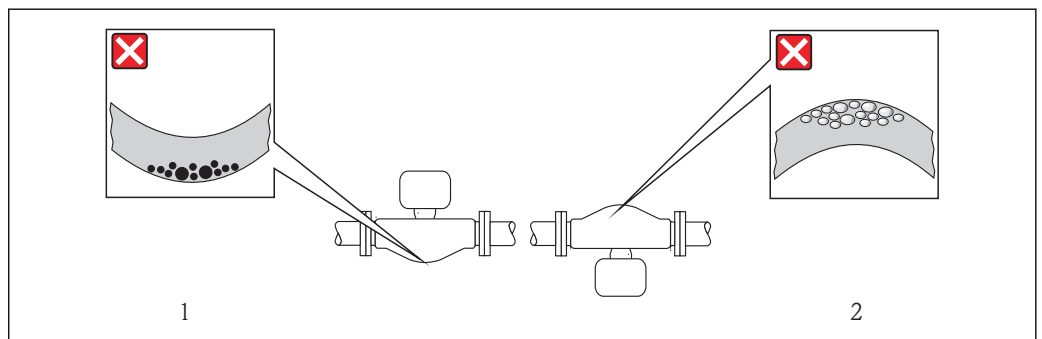
Orientation

The direction of the arrow on the sensor nameplate helps you to install the sensor according to the flow direction (direction of medium flow through the piping).

Orientation			Recommendation
A	Vertical orientation	 A0015591	✓✓
B	Horizontal orientation, transmitter head up	 A0015589	✓✓ ¹⁾ Exception: (→ ☒ 6, ☒ 17)
C	Horizontal orientation, transmitter head down	 A0015590	✓✓ ²⁾ Exception: (→ ☒ 6, ☒ 17)
D	Horizontal orientation, transmitter head at side	 A0015592	✗

- 1) Applications with low process temperatures may reduce the ambient temperature. To maintain the minimum ambient temperature for the transmitter, this orientation is recommended.
- 2) Applications with high process temperatures may increase the ambient temperature. To maintain the maximum ambient temperature for the transmitter, this orientation is recommended.

If a sensor is installed horizontally with a curved measuring tube, match the position of the sensor to the fluid properties.



A0014057

☒ 6 Orientation of sensor with curved measuring tube

- 1 Avoid this orientation for fluids with entrained solids: Risk of solids accumulating.
- 2 Avoid this orientation for outgassing fluids: Risk of gas accumulating.

Inlet and outlet runs

No special precautions need to be taken for fittings which create turbulence, such as valves, elbows or T-pieces, as long as no cavitation occurs (→ ☒ 21).

Special mounting instructions

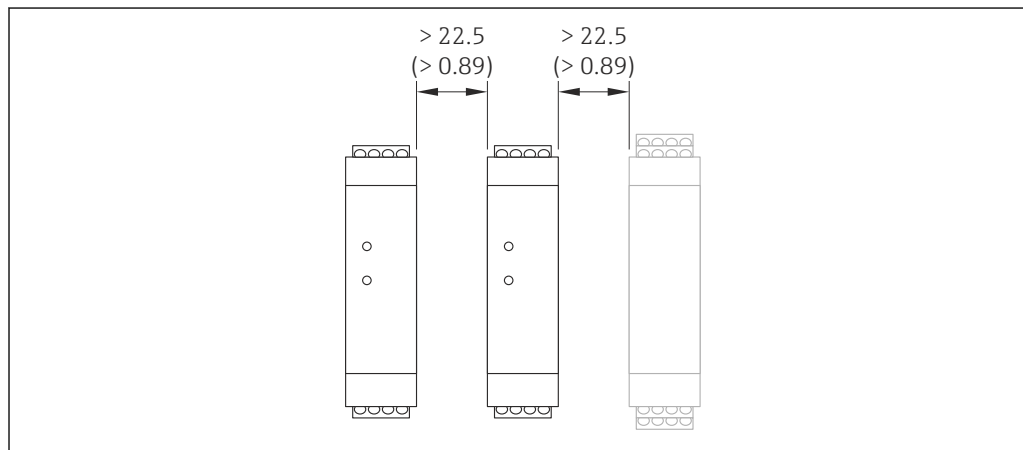
Zero point adjustment

All measuring devices are calibrated in accordance with state-of-the-art technology. Calibration takes place under reference conditions (→ 14). Therefore, a zero point adjustment in the field is generally not required.

Experience shows that zero point adjustment is advisable only in special cases:

- To achieve maximum measuring accuracy even with low flow rates
- Under extreme process or operating conditions (e.g. very high process temperatures or very high-viscosity fluids).

Mounting Safety Barrier Promass 100



7 Minimum distance between additional Safety Barrier Promass 100 or other modules. Engineering unit mm (in)

Environment

Ambient temperature range

Measuring device	-40 to +60 °C (-40 to +140 °F)
Safety Barrier Promass 100	-40 to +60 °C (-40 to +140 °F)

- ▶ If operating outdoors:
Avoid direct sunlight, particularly in warm climatic regions.

Temperature tables

In the following tables, the following interdependencies between the maximum medium temperature for T1-T6 and the maximum ambient temperature T_a apply when operating the device in hazardous areas.

Ex ia, cCSA_{US} IS

SI units

Order code for "Housing"	T_a [°C]	T6 [85 °C]	T5 [100 °C]	T4 [135 °C]	T3 [200 °C]	T2 [300 °C]	T1 [450 °C]
Option A "Compact coated alu"	35	50	85	120	125	125	125
	50	-	85	120	125	125	125
	60	-	-	120	125	125	125

US units

Order code for "Housing"	T _a [°F]	T6 [185 °F]	T5 [212 °F]	T4 [275 °F]	T3 [392 °F]	T2 [572 °F]	T1 [842 °F]
Option A "Compact coated alu"	95	122	185	248	257	257	257
	122	-	185	248	257	257	257
	140	-	-	248	257	257	257

Explosion hazards arising from dust and gas

Determine the temperature class and surface temperature using the temperature table

- For gas: determine the temperature class depending on the ambient temperature T_a and medium temperature T_m.
- For dust: determine the maximum surface temperature depending on the maximum ambient temperature T_a and the maximum medium temperature T_m.

Example

- Maximum ambient temperature: T_a = 50 °C
- Measured maximum medium temperature: T_{mm} = 108 °C

	T _a [°C]	T6 [85 °C]	T5 [100 °C]	T4 [135 °C]	T3 [200 °C]	T2 [300 °C]	T1 [450 °C]
	35	50	85	120	140	140	140
	50	-	85	120	140	140	140
	60	-	-	120	140	140	140
	35	50	85	120	140	140	140
	45	-	85	120	140	140	140
	50	-	-	120	140	140	140

A0019758

8 Procedure for determining the temperature class and surface temperature

- Select the order code of the device: nominal diameter, housing option, etc.
- Select the ambient temperature T_a (50 °C).
 - The row containing the maximum medium temperature is determined.
- Select the maximum medium temperature T_m in this row that is directly larger than or equal to the measured maximum medium temperature T_{mm}.
 - The column with the temperature class for gas is determined: 108 °C ≤ 120 °C → T4.
- The maximum temperature of the temperature class determined corresponds to the maximum surface temperature for dust: T4 = 135 °C.

Storage temperature	-40 to +80 °C (-40 to +176 °F), preferably at +20 °C (+68 °F)
Climate class	DIN EN 60068-2-38 (test Z/AD)
Degree of protection	<p>Transmitter and sensor</p> <ul style="list-style-type: none"> As standard: IP66/67, type 4X enclosure When housing is open: IP20, type 1 enclosure <p>Safety Barrier Promass 100</p> <p>IP20</p>
Shock resistance	As per IEC/EN 60068-2-31

Vibration resistance	Acceleration up to 1 g, 10 to 150 Hz, based on IEC/EN 60068-2-6
Electromagnetic compatibility (EMC)	<ul style="list-style-type: none"> ■ As per IEC/EN 61326 and NAMUR Recommendation 21 (NE 21) ■ Complies with emission limits for industry as per EN 55011 (Class A) <p style="margin-left: 40px;">Details are provided in the Declaration of Conformity.</p>

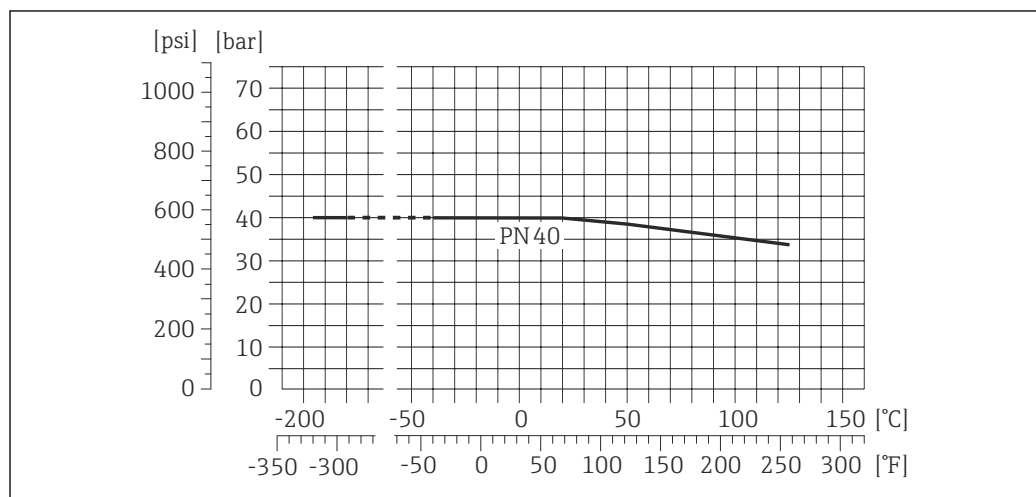
Process

Medium temperature range	Sensor -196 to +125 °C (-320 to +257 °F)
	Seals No internal seals

Medium density	0 to 5 000 kg/m ³ (0 to 312 lb/cf)
-----------------------	---

Pressure-temperature ratings The following material load diagrams refer to the entire device and not just the process connection.

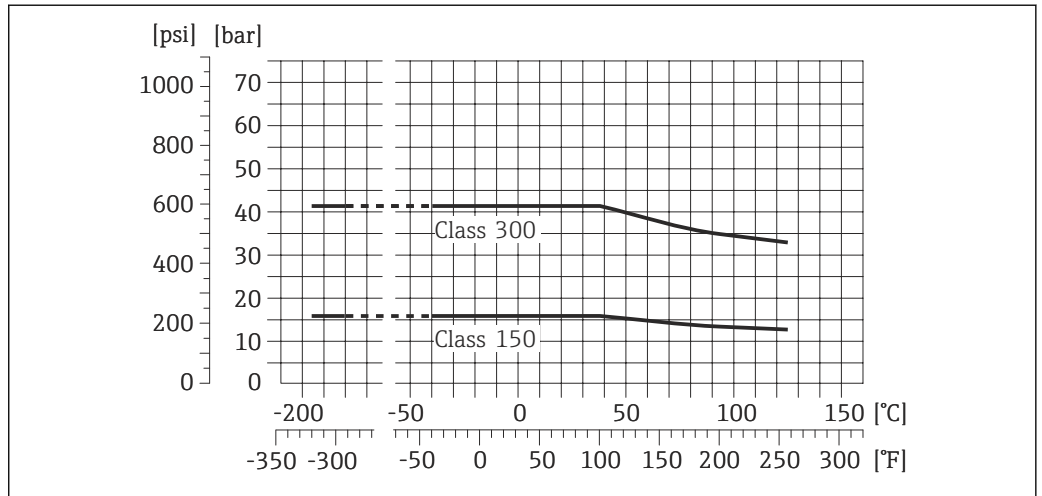
Flange connection according to EN 1092-1 (DIN 2501)



A0021164-EN

9 With flange material 1.4404 (316/316L)

Flange connection according to ASME B16.5



10 With flange material 1.4404 (316/316L)

Secondary containment pressure range

The sensor housing is filled with helium and protects the electronics and mechanics inside. The housing does not have pressure vessel classification.
Reference value for the pressure loading capacity of the sensor housing: 16 bar (232 psi)

Flow limit

Select the nominal diameter by optimizing between the required flow range and permissible pressure loss.

For an overview of the measuring range full scale values, see the "Measuring range" section (→ 6)

- The minimum recommended full scale value is approx. 1/20 of the maximum full scale value
- In most applications, 20 to 50 % of the maximum full scale value can be considered ideal
- Select a lower full scale value for abrasive substances (such as liquids with entrained solids): flow velocity <1 m/s (<3 ft/s).

Pressure loss

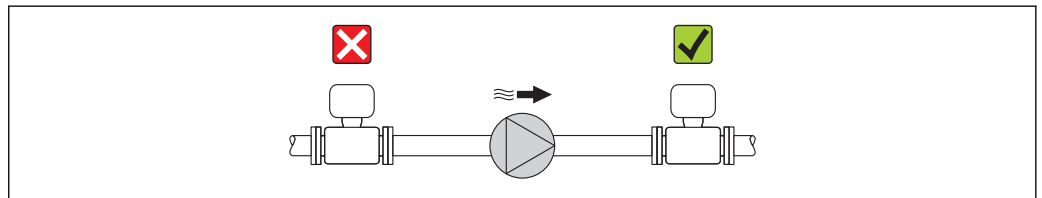
To calculate the pressure loss, use the *Applicator* sizing tool (→ 30)

System pressure

It is important that cavitation does not occur, or that gases entrained in the liquids do not outgas. This is prevented by means of a sufficiently high system pressure.

For this reason, the following mounting locations are recommended:

- At the lowest point in a vertical pipe
- Downstream from pumps (no danger of vacuum)



A0015594

Vibrations

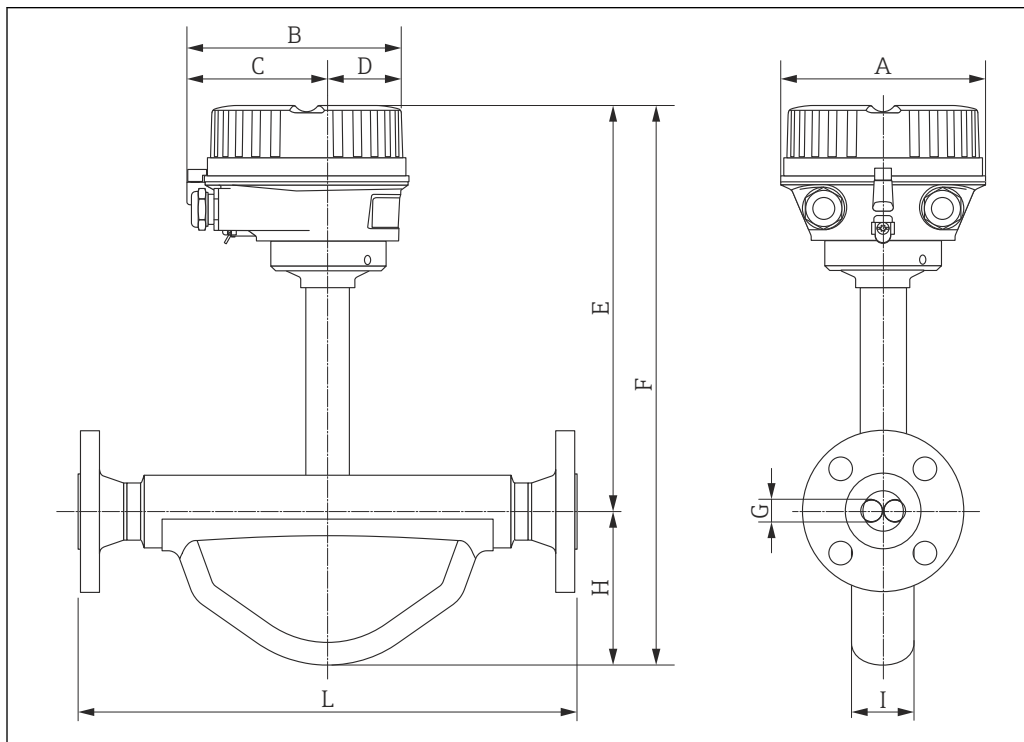
The high oscillation frequency of the measuring tubes ensures that the correct operation of the measuring system is not influenced by plant vibrations.

Mechanical construction

Design, dimensions

Compact version

Order code for "Housing", option A "Alu"



A0021767

Dimensions SI units

DN [mm]	A [mm]	B [mm]	C [mm]	D [mm]	E [mm]	F [mm]	G [mm]	H [mm]	I [mm]	L [mm]
8	136	147.5	93.5	54	273	362	5.35	89	40	¹⁾
15	136	147.5	93.5	54	273	373	8.30	100	38	¹⁾
25	136	147.5	93.5	54	270	372	12.0	102	48	¹⁾

1) dependent on respective process connection

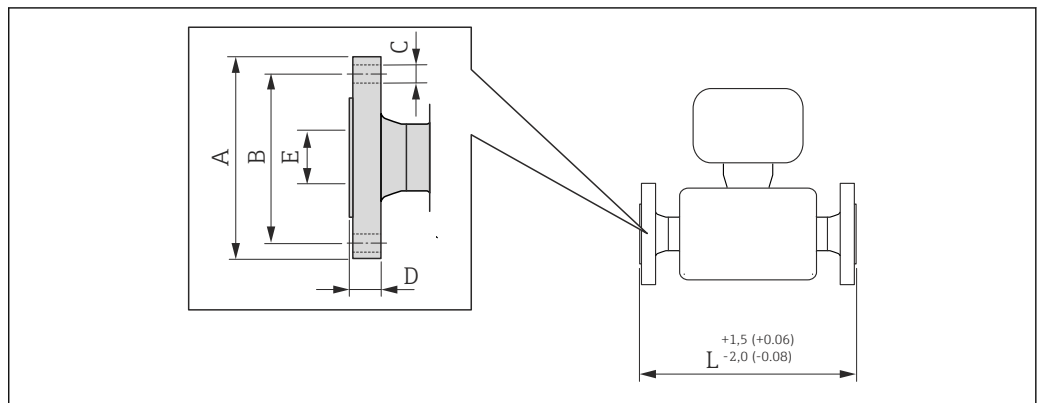
Dimensions US units

DN [in]	A [in]	B [in]	C [in]	D [in]	E [in]	F [in]	G [in]	H [in]	I [in]	L [in]
$\frac{3}{8}$	5.35	5.81	3.68	2.13	10.7	14.3	0.21	3.50	1.57	¹⁾
$\frac{1}{2}$	5.35	5.81	3.68	2.13	10.7	14.7	0.33	3.94	1.50	¹⁾
1	5.35	5.81	3.68	2.13	10.6	14.6	0.47	4.02	1.89	¹⁾

1) dependent on respective process connection

Process connections in SI units

Flange connections EN (DIN)



A0015621

11 Engineering unit mm (in)

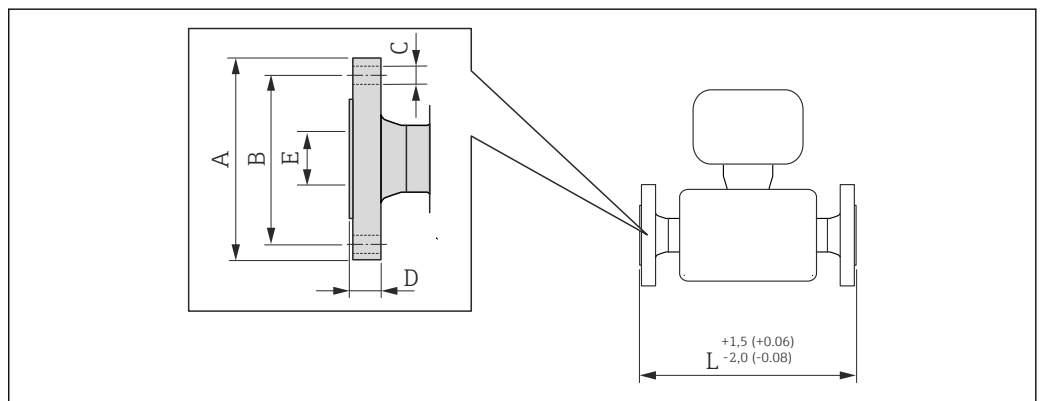
Flange according to EN 1092-1 (DIN 2501 / DIN 2512N) / PN 40: 1.4404 (316/316L) (order code for "Process connection", option D2S)

Surface roughness (flange): EN 1092-1 Form B1 (DIN 2526 Form C), Ra 3.2 to 12.5 µm

DN [mm]	A [mm]	B [mm]	C [mm]	D [mm]	E [mm]	L [mm]
8 ¹⁾	95	65	4 × Ø14	16	17.3	232
15	95	65	4 × Ø14	16	17.3	279
25	115	85	4 × Ø14	18	28.5	329

1) DN 8 with DN 15 flanges as standard

Flange connections ASME B16.5



A0015621

12 Engineering unit mm (in)

Flange according to ASME B16.5 / Cl 150: 1.4404 (316/316L) (order code for "Process connection", option AAS)						
DN [mm]	A [mm]	B [mm]	C [mm]	D [mm]	E [mm]	L [mm]
8 ¹⁾	88.9	60.5	4 × Ø15.7	11.2	15.7	232
15	88.9	60.5	4 × Ø15.7	11.2	15.7	279
25	108.0	79.2	4 × Ø15.7	14.2	26.7	329

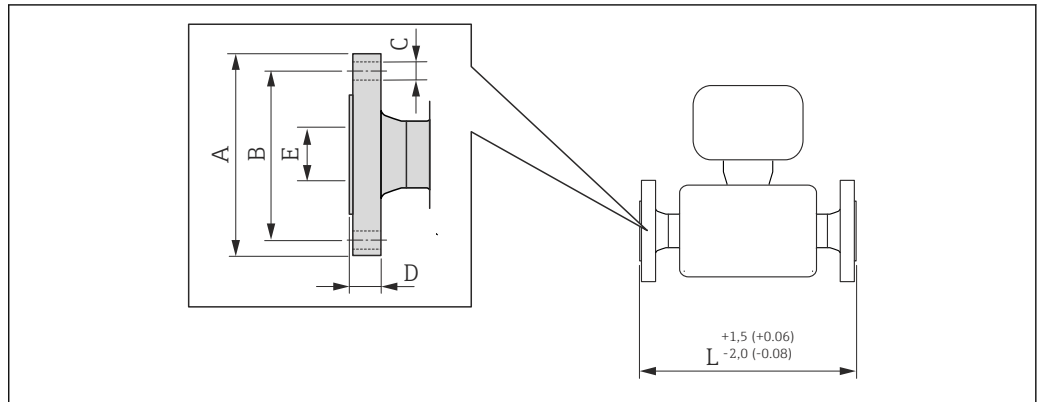
1) DN 8 with DN 15 flanges as standard

Flange according to ASME B16.5 / Cl 300: 1.4404 (316/316L) (order code for "Process connection", option ABS)						
DN [mm]	A [mm]	B [mm]	C [mm]	D [mm]	E [mm]	L [mm]
8 ¹⁾	95.2	66.5	4 × Ø15.7	14.2	15.7	232
15	95.2	66.5	4 × Ø15.7	14.2	15.7	279
25	123.9	88.9	4 × Ø19.0	17.5	26.7	329

1) DN 8 with DN 15 flanges as standard

Process connections in US units

Flange connections ASME B16.5



A0015621

13 Engineering unit mm (in)

Flange according to ASME B16.5 / CI 150: 1.4404 (316/316L) (order code for "Process connection", option AAS)

DN [in]	A [in]	B [in]	C [in]	D [in]	E [in]	L [in]
3/8 ¹⁾	3.50	2.38	4 × Ø0.62	0.44	0.62	9.13
1/2	3.50	2.38	4 × Ø0.62	0.44	0.62	11.0
1	4.25	3.12	4 × Ø0.62	0.56	1.05	13.0

1) DN 3/8" with DN 1/2" flanges as standard

Flange according to ASME B16.5 / CI 300: 1.4404 (316/316L) (order code for "Process connection", option ABS)

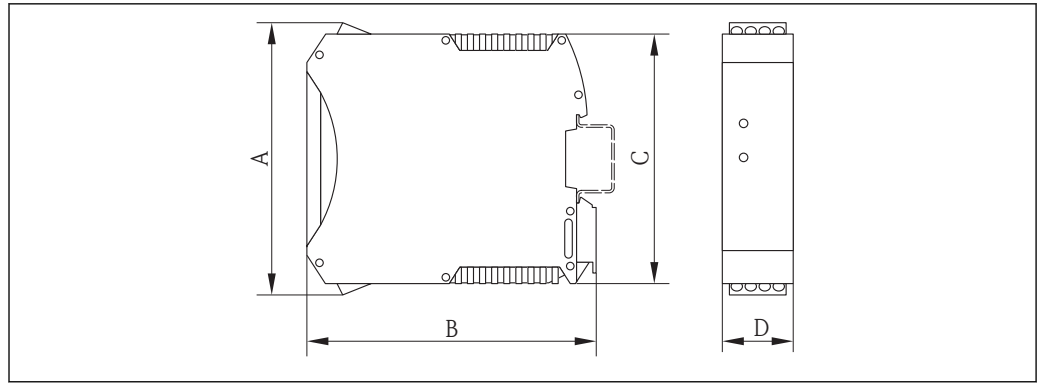
DN [in]	A [in]	B [in]	C [in]	D [in]	E [in]	L [in]
3/8 ¹⁾	3.75	2.62	4 × Ø0.62	0.56	0.62	9.13
1/2	3.75	2.62	4 × Ø0.62	0.56	0.62	11.0
1	4.88	3.50	4 × Ø0.75	0.69	1.05	13.0

1) DN 3/8" with DN 1/2" flanges as standard

Safety Barrier Promass 100

Top-hat rail EN 60715:

- TH 35 x 7.5
- TH 35 x 15



A0016777

A		B		C		D	
[mm]	[in]	[mm]	[in]	[mm]	[in]	[mm]	[in]
108	4.25	114.5	4.51	99	3.9	22.5	0.89

Weight

Compact version

Weight in SI units

All values (weight) refer to devices with EN/DIN PN 40 flanges. Weight information in [kg].

DN [mm]	Weight [kg]
8	6
15	6
25	8

Weight in US units

All values (weight) refer to devices with EN/DIN PN 40 flanges. Weight information in [lbs].

DN [in]	Weight [lbs]
3/8	13
1/2	13
1	18

Safety Barrier Promass 100

49 g (1.73 ounce)

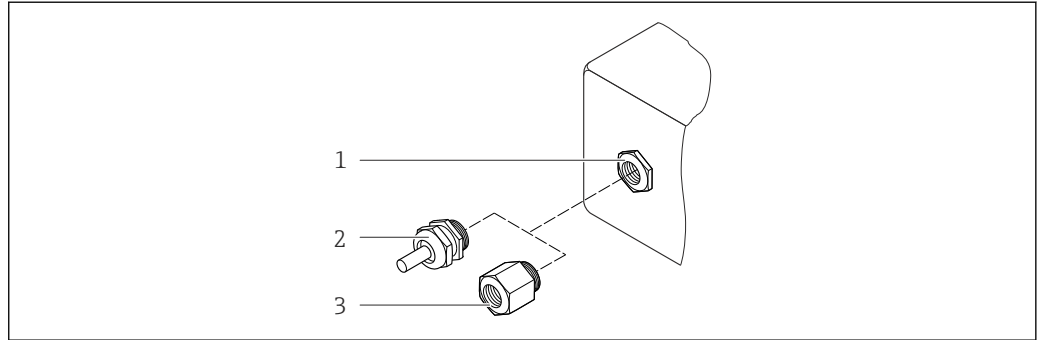
Materials

Transmitter housing

Order code for "Housing", option **A** "Compact, aluminum coated":

Coated aluminum AlSi10Mg

Cable entries/cable glands



14 Possible cable entries/cable glands

- 1 Cable entry in transmitter housing, wall-mount housing or connection housing with internal thread M20 x 1.5
- 2 Cable gland M20 x 1.5
- 3 Adapter for cable entry with internal thread G ½" or NPT ½"

Order code for "Housing", option A "Compact, coated aluminum"

The various cable entries are suitable for hazardous and non-hazardous areas.

Cable entry/cable gland	Material
Cable gland M20 x 1.5	Nickel-plated brass
Adapter for cable entry with internal thread G ½"	
Adapter for cable entry with internal thread NPT ½"	

Sensor housing

- Acid and alkali-resistant outer surface
- Stainless steel 1.4301 (304)

Measuring tubes

- Stainless steel 1.4539 (904L); manifold: 1.4404 (316L)
- Surface quality:
 - Not polished
 - Ra_{max} = 0.8 µm (32 µin)

Process connections

For all process connections:
Stainless steel 1.4404 (316/316L)

List of all available process connections (→ 27)

Seals

Welded process connections without internal seals

Safety Barrier Promass 100

Housing: Polyamide

Process connections

- Flanges:
- EN 1092-1 (DIN 2501)
 - ASME B16.5

For information on the materials of the process connections (→ 27)

Operability

Operating concept

Operator-oriented menu structure for user-specific tasks

- Commissioning
- Operation
- Diagnostics
- Expert level

Quick and safe commissioning

- Individual menus for applications
- Menu guidance with brief explanations of the individual parameter functions

Reliable operation

Operation in the following languages:

Via "FieldCare" operating tool:

English, German

Efficient diagnostics increase measurement availability

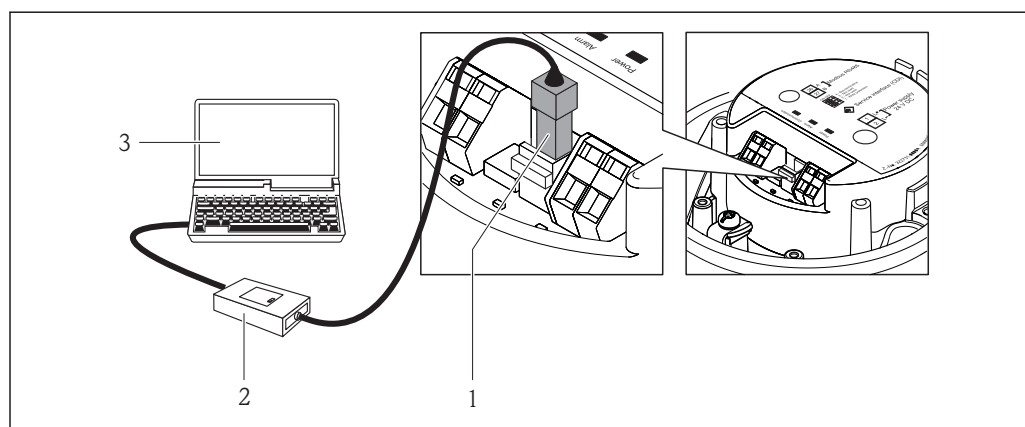
- Troubleshooting measures can be called up via the operating tools and Web browser
- Diverse simulation options
- Status indicated by several light emitting diodes (LEDs) on the electronic module in the housing compartment

Remote operation

Via service interface (CDI)

This communication interface is present in the following device version:

Order code for "Output", option **M**: Modbus RS485



A0016925

- 1 Service interface (CDI) of the measuring device
- 2 Commubox FXA291
- 3 Computer with "FieldCare" operating tool with COM DTM "CDI Communication FXA291"

Certificates and approvals

CE mark

The measuring system is in conformity with the statutory requirements of the applicable EC Directives. These are listed in the corresponding EC Declaration of Conformity along with the standards applied.

C-Tick symbol

The measuring system meets the EMC requirements of the "Australian Communications and Media Authority (ACMA)".

Ex approval

The measuring device is certified for use in hazardous areas and the relevant safety instructions are provided in the separate "Safety Instructions" (XA) document. Reference is made to this document on the nameplate.

ATEX/IECEX

Currently, the following versions for use in hazardous areas are available:

Ex ia

Category (ATEX)	Type of protection
II2G	Ex ia IIC T6-T1 Gb
II2G	Ex ia IIC T6-T1 Gb or Ex ia IIB T6-T1 Gb
II1/2G, II2D	Ex ia IIC T6-T1 Ga/Gb or Ex ia IIB T6-T1 Ga/Gb Ex tb IIIC T* Db
II2G, II2D	Ex ia IIC T6-T1 Gb or Ex ia IIB T6-T1 Gb Ex tb IIIC T* Db

Modbus RS485 certification

The measuring device meets all the requirements of the MODBUS/TCP conformity test and has the "MODBUS/TCP Conformance Test Policy, Version 2.0". The measuring device has successfully passed all the test procedures carried out and is certified by the "MODBUS/TCP Conformance Test Laboratory" of the University of Michigan.

Ordering information

Detailed ordering information is available from the following sources:

Product Configurator - the tool for individual product configuration

- Up-to-the-minute configuration data
- Depending on the device: Direct input of measuring point-specific information such as measuring range or operating language
- Automatic verification of exclusion criteria
- Automatic creation of the order code and its breakdown in PDF or Excel output format
- Ability to order directly in the Endress+Hauser Online Shop

По вопросам продаж и поддержки обращайтесь:

Алматы (7273)495-231
Ангарск (3955)60-70-56
Архангельск (8182)63-90-72
Астрахань (8512)99-46-04
Барнаул (3852)73-04-60
Белгород (4722)40-23-64
Благовещенск (4162)22-76-07
Брянск (4832)59-03-52
Владивосток (423)249-28-31
Владикавказ (8672)28-90-48
Владимир (4922)49-43-18
Волгоград (844)278-03-48
Вологда (8172)26-41-59
Воронеж (473)204-51-73
Екатеринбург (343)384-55-89

Иваново (4932)77-34-06
Ижевск (3412)26-03-58
Иркутск (395)279-98-46
Казань (843)206-01-48
Калининград (4012)72-03-81
Калуга (4842)92-23-67
Кемерово (3842)65-04-62
Киров (8332)68-02-04
Коломна (4966)23-41-49
Кострома (4942)77-07-48
Краснодар (861)203-40-90
Красноярск (391)204-63-61
Курск (4712)77-13-04
Курган (3522)50-90-47
Липецк (4742)52-20-81

Магнитогорск (3519)55-03-13
Москва (495)268-04-70
Мурманск (8152)59-64-93
Набережные Челны (8552)20-53-41
Нижний Новгород (831)429-08-12
Новокузнецк (3843)20-46-81
Ноябрьск (3496)41-32-12
Новосибирск (383)227-86-73
Омск (3812)21-46-40
Орел (4862)44-53-42
Оренбург (3532)37-68-04
Пенза (8412)22-31-16
Петрозаводск (8142)55-98-37
Псков (8112)59-10-37
Пермь (342)205-81-47

Ростов-на-Дону (863)308-18-15
Рязань (4912)46-61-64
Самара (846)206-03-16
Санкт-Петербург (812)309-46-40
Саратов (845)249-38-78
Севастополь (8692)22-31-93
Саранск (8342)22-96-24
Симферополь (3652)67-13-56
Смоленск (4812)29-41-54
Сочи (862)225-72-31
Ставрополь (8652)20-65-13
Сургут (3462)77-98-35
Сыктывкар (8212)25-95-17
Тамбов (4752)50-40-97
Тверь (4822)63-31-35

Тольятти (8482)63-91-07
Томск (3822)98-41-53
Тула (4872)33-79-87
Тюмень (3452)66-21-18
Ульяновск (8422)24-23-59
Улан-Удэ (3012)59-97-51
Уфа (347)229-48-12
Хабаровск (4212)92-98-04
Чебоксары (8352)28-53-07
Челябинск (351)202-03-61
Череповец (8202)49-02-64
Чита (3022)38-34-83
Якутск (4112)23-90-97
Ярославль (4852)69-52-93

Россия +7(495)268-04-70

Казахстан +7(7172)727-132

Киргизия +996(312)96-26-47

эл.почта: ehr@nt-rt.ru || сайт: <https://endcounters.nt-rt.ru/>