

Кориолисовые массовые расходомеры Promass 84F

Технические характеристики

По вопросам продаж и поддержки обращайтесь:

Алматы (7273)495-231
Ангарск (3955)60-70-56
Архангельск (8182)63-90-72
Астрахань (8512)99-46-04
Барнаул (3852)73-04-60
Белгород (4722)40-23-64
Благовещенск (4162)22-76-07
Брянск (4832)59-03-52
Владивосток (423)249-28-31
Владикавказ (8672)28-90-48
Владимир (4922)49-43-18
Волгоград (844)278-03-48
Вологда (8172)26-41-59
Воронеж (473)204-51-73
Екатеринбург (343)384-55-89

Иваново (4932)77-34-06
Ижевск (3412)26-03-58
Иркутск (395)279-98-46
Казань (843)206-01-48
Калининград (4012)72-03-81
Калуга (4842)92-23-67
Кемерово (3842)65-04-62
Киров (8332)68-02-04
Коломна (4966)23-41-49
Кострома (4942)77-07-48
Краснодар (861)203-40-90
Красноярск (391)204-63-61
Курск (4712)77-13-04
Курган (3522)50-90-47
Липецк (4742)52-20-81

Магнитогорск (3519)55-03-13
Москва (495)268-04-70
Мурманск (8152)59-64-93
Набережные Челны (8552)20-53-41
Нижний Новгород (831)429-08-12
Новокузнецк (3843)20-46-81
Ноябрьск (3496)41-32-12
Новосибирск (383)227-86-73
Омск (3812)21-46-40
Орел (4862)44-53-42
Оренбург (3532)37-68-04
Пенза (8412)22-31-16
Петрозаводск (8142)55-98-37
Псков (8112)59-10-37
Пермь (342)205-81-47

Ростов-на-Дону (863)308-18-15
Рязань (4912)46-61-64
Самара (846)206-03-16
Санкт-Петербург (812)309-46-40
Саратов (845)249-38-78
Севастополь (8692)22-31-93
Саранск (8342)22-96-24
Симферополь (3652)67-13-56
Смоленск (4812)29-41-54
Сочи (862)225-72-31
Ставрополь (8652)20-65-13
Сургут (3462)77-98-35
Сыктывкар (8212)25-95-17
Тамбов (4752)50-40-97
Тверь (4822)63-31-35

Тольятти (8482)63-91-07
Томск (3822)98-41-53
Тула (4872)33-79-87
Тюмень (3452)66-21-18
Ульяновск (8422)24-23-59
Улан-Удэ (3012)59-97-51
Уфа (347)229-48-12
Хабаровск (4212)92-98-04
Чебоксары (8352)28-53-07
Челябинск (351)202-03-61
Череповец (8202)49-02-64
Чита (3022)38-34-83
Якутск (4112)23-90-97
Ярославль (4852)69-52-93

Россия +7(495)268-04-70

Казахстан +7(7172)727-132

Киргизия +996(312)96-26-47

эл.почта: ehr@nt-rt.ru || сайт: <https://endcounters.nt-rt.ru/>

Technical Information

Proline Promass 84F

Coriolis flowmeter



Premium accuracy, robustness and transmitter for custody transfer

Application

- Measuring principle operates independently of physical fluid properties such as viscosity or density
- Highest measurement performance for liquids and gases under varying, demanding process conditions

Device properties

- Mass flow: measured error $\pm 0,05\%$ (PremiumCal)
- Rated secondary containment up to 40 bar (580 psi)
- Nominal diameter: DN 8 to 250 ($\frac{3}{8}$ to 10")
- 4-line backlit display with touch control
- Device in compact or remote version
- Phase-shifted pulse, HART, Modbus RS485

Your benefits

- Highest process safety – immune to fluctuating and harsh environments
- Fewer process measuring points – multivariable measurement (flow, density, temp)
- Space-saving installation – no in/outlet run needs
- Quality – designed for custody transfer; featuring worldwide recognized metrological approvals
- Flexible data transfer options – numerous communication types
- Automatic recovery of data for servicing

Table of contents

Function and system design	3	Electromagnetic compatibility (EMC)	20
Measuring principle	3	Process	20
Measuring system	4	Medium temperature range	20
Input	5	Medium density	20
Measured variable	5	Medium pressure range (nominal pressure)	20
Measuring range in non-custody transfer mode	5	Pressure-temperature ratings	22
Measuring range in custody transfer mode	6	Rupture disk	27
Operable flow range	6	Limiting flow	27
Input signal	6	Pressure loss	27
Output	7	System pressure	27
Output signal	7	Thermal insulation	28
Signal on alarm	7	Heating	28
Load	7	Custody transfer measurement	29
Low flow cutoff	7	Custody transfer variables	29
Galvanic isolation	7	Suitability for custody transfer, metrological control, obligation to subsequent verification	29
Switching output	7	Verification (Example)	29
Power supply	8	Stamp points	30
Terminal assignment	8	Mechanical construction	31
Supply voltage	8	Design/dimensions	31
Power consumption	8	Weight	66
Power supply failure	8	Material	66
Electrical connection	9	Process connections	67
Electrical connection remote version	9	Operability	67
Switching on the power supply in custody transfer mode	10	Local operation	67
Potential equalisation	10	Language groups	68
Cable entries	10	Remote operation	68
Remote version cable specifications	10	Certificates and approvals	68
Performance characteristics	10	CE mark	68
Reference operating conditions	10	C-tick mark	68
Maximum measured error	10	Ex approval	68
Repeatability	12	Sanitary compatibility	68
Response time	12	Modbus RS485 certification	68
Influence of medium temperature	12	Pressure measuring device approval	68
Influence of medium pressure	13	Measuring Instruments Directive	68
Design fundamentals	13	Approval for custody transfer	69
Installation	15	Suitability for custody transfer measurement	69
Mounting location	15	Other standards and guidelines	70
Orientation	16	Ordering Information	71
Installation instructions	17	Accessories	71
Inlet and outlet runs	17	Device-specific accessories	71
Length of connecting cable	17	Communication-specific accessories	71
Special mounting instructions	18	Service-specific accessories	72
Environment	20	System components	72
Ambient temperature range	20	Documentation	72
Storage temperature	20	Registered trademarks	73
Ambient class	20		
Degree of protection	20		
Shock resistance	20		
Vibration resistance	20		
CIP cleaning	20		
SIP cleaning	20		

Function and system design

Measuring principle

The measuring principle is based on the controlled generation of Coriolis forces. These forces are always present when both translational and rotational movements are superimposed.

$$F_C = 2 \cdot \Delta m (v \cdot \omega)$$

F_C = Coriolis force

Δm = moving mass

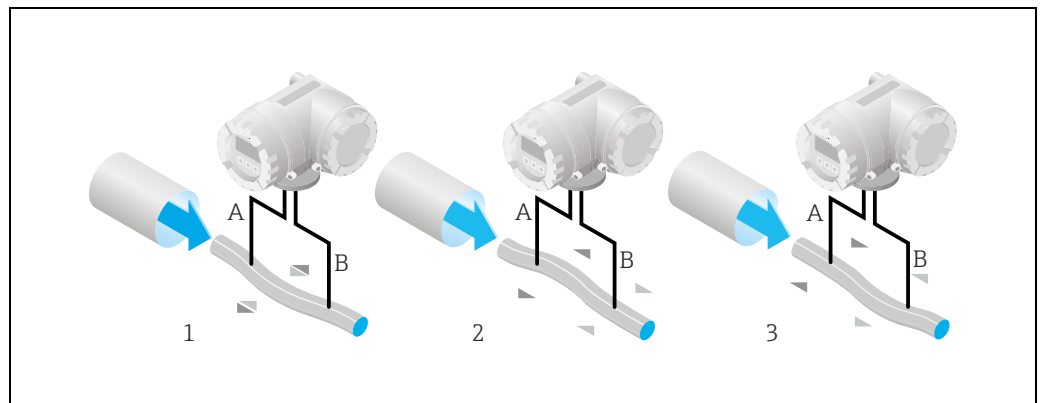
ω = rotational velocity

v = velocity of the moving mass in a rotating or oscillating system

The amplitude of the Coriolis force depends on the moving mass Δm , its velocity v in the system, and thus on the mass flow. Instead of a constant angular velocity ω , the Promass sensor uses oscillation.

The measuring tubes through which the measured material flows are brought into oscillation. The Coriolis forces produced at the measuring tubes cause a phase shift in the tube oscillations (see illustration):

- At zero flow, in other words when the fluid is at a standstill, the two tubes oscillate in phase (1).
- Mass flow causes deceleration of the oscillation at the inlet of the tubes (2) and acceleration at the outlet (3).



The phase difference (A-B) increases with increasing mass flow. Electrodynamical sensors register the tube oscillations at the inlet and outlet.

System balance is ensured by the antiphase oscillation of the two measuring tubes. The measuring principle operates independently of temperature, pressure, viscosity, conductivity and flow profile.

Density measurement

The measuring tubes are continuously excited at their resonance frequency. A change in the mass and thus the density of the oscillating system (comprising measuring tubes and fluid) results in a corresponding, automatic adjustment in the oscillation frequency. Resonance frequency is thus a function of fluid density. The micro-processor utilises this relationship to obtain a density signal.

Temperature measurement

The temperature of the measuring tubes is determined in order to calculate the compensation factor due to temperature effects. This signal corresponds to the process temperature and is also available as an output.

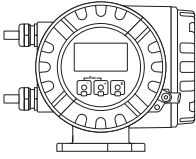
The temperature measurement cannot be used to generate data for invoicing in applications subject to legal metrology controls.

Measuring system

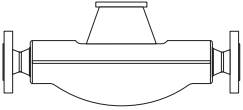
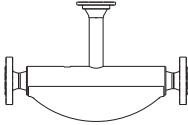
The measuring system consists of a transmitter and a sensor. Two versions are available:

- Compact version: transmitter and sensor form a single mechanical unit.
- Remote version: transmitter and sensor are installed separately.

Transmitter

<p>Promass 84</p>  <p style="text-align: right; font-size: small;">a0003672</p>	<ul style="list-style-type: none"> ■ Four-line liquid-crystal display ■ Operation with "Touch control" ■ Application-specific Quick Setup ■ Mass flow, volume flow, density and temperature measurement as well as calculated variables (e.g. corrected volume flow)
---	--

Sensor

<p>F (Standard version)</p>  <p style="text-align: right; font-size: small;">a0003673</p>	<ul style="list-style-type: none"> ■ Universal sensor for fluid temperatures up to +200 °C (+392 °F). ■ Nominal diameters DN 8 to 250 (3/8" to 10"). ■ Material: Stainless Steel EN 1.4539/ASTM 904L, EN 1.4404/ASTM 316L, Alloy C22 DIN 2.4602 ■ Material: <ul style="list-style-type: none"> - Sensor: Stainless Steel: 1.4301/1.4307 (304L), optional 1.4404 (316/316L) - Measuring tube: Stainless Steel: 1.4539 (904L), 1.4404 (316/316L); Alloy C22, 2.4602 (UNS N06022) - Process connections: Stainless Steel: 1.4301 (F304), 1.4404 (316/316L); Alloy C22, 2.4602 (UNS N06022)
<p>F (High-temperature version)</p>  <p style="text-align: right; font-size: small;">a0003675</p>	<ul style="list-style-type: none"> ■ Universal high-temperature sensor for fluid temperatures up to +350 °C (+662 °F). ■ Nominal diameters DN 25, 50, 80 (1", 2", 3") ■ Material: <ul style="list-style-type: none"> - Process connections: Rostfreier Stahl 1.4404 (316/316L); Alloy C22, 2.4602 (UNS N06022)

Input

Measured variable

- Mass flow (proportional to the phase difference between two sensors mounted on the measuring tube to register a phase shift in the oscillation)
- Fluid density (proportional to resonance frequency of the measuring tube)
- Fluid temperature (measured with temperature sensors)

Measuring range in non-custody transfer mode

Measuring ranges for liquids

DN		Range for full scale values (liquids) $\dot{m}_{\min(F)}$ to $\dot{m}_{\max(F)}$	
[mm]	[in]	[kg/h]	[lb/min]
8	3/8	0 to 2 000	0 to 73.50
15	1/2	0 to 6 500	0 to 238.9
25	1	0 to 18 000	0 to 661.5
40	1 1/2	0 to 45 000	0 to 1 654
50	2	0 to 70 000	0 to 2 573
80	3	0 to 180 000	0 to 6 615
100	4	0 to 350 000	0 to 12 860
150	6	0 to 800 000	0 to 29 400
250	10	0 to 2 200 000	0 to 80 850

Measuring ranges for gases

The full scale values depend on the density of the gas. Use the formula below to calculate the full scale values:

$$\dot{m}_{\max(G)} = \dot{m}_{\max(F)} \cdot \rho_{(G)} \div x \text{ [kg/m}^3\text{]}$$

$$\dot{m}_{\max(G)} = \text{Max. full scale value for gas [kg/h]}$$

$$\dot{m}_{\max(F)} = \text{Max. full scale value for liquid [kg/h]}$$

$$\rho_{(G)} = \text{gas density in [kg/m}^3\text{]} \text{ under process conditions}$$

DN		X	DN		X
[mm]	[in]		[mm]	[in]	
8	3/8	60	80	3	110
15	1/2	80	100	4	130
25	1	90	150	6	200
40	1 1/2	90	250	10	200
50	2	90			

Here, $\dot{m}_{\max(G)}$ can never be greater than $\dot{m}_{\max(F)}$

Calculation example for gas:

- Sensor type: Promass F, DN 50
- Gas: air with a density of 60.3 kg/m³ (at 20 °C and 50 bar)
- Measuring range (liquids): 70 000 kg/h
- x = 90 (for Promass F DN 50)

Max. possible full scale value:

$$\dot{m}_{\max(G)} = \dot{m}_{\max(F)} \cdot \rho_{(G)} \div x \text{ [kg/m}^3\text{]} = 70\,000 \text{ kg/h} \cdot 60.3 \text{ kg/m}^3 \div 90 \text{ kg/m}^3 = 46\,900 \text{ kg/h}$$

Recommended full scale values

See information in chapter "Limiting flow" → 27

Measuring range in custody transfer mode

The following are example data for German PTB approval (liquids other than water).

Measuring ranges for liquids in mass flow

DN		Mass flow (liquids) Q_{\min} to Q_{\max}		Smallest measured quantity	
[mm]	[in]	[kg/min]	[lbs/min]	[kg]	[lbs]
8	$\frac{3}{8}$	1.5 to 30	3.3075 to 66.15	0.5	1.10
15	$\frac{1}{2}$	5 to 100	11.025 to 220.5	2	4.41
25	1	15 to 300	33.075 to 661.5	5	11.0
40	$1\frac{1}{2}$	35 to 700	77.175 to 1543.5	20	44.1
50	2	50 to 1000	110.25 to 2205.0	50	110.25
80	3	150 to 3000	330.75 to 6615.0	100	220.50
100	4	200 to 4500	441.00 to 9922.5	200	441.00
150	6	350 to 12000	771.75 to 26460	500	1102.5
250	10	1500 to 35000	3307.5 to 77175	1000	2205.0

Measuring ranges for liquids in volume flow (also LPG)

DN		Volume flow (liquids) Q_{\min} to Q_{\max}		Smallest measured quantity	
[mm]	[in]	[l/min]	[gal/hr]	[l]	[gal]
8	$\frac{3}{8}$	1.5 to 30	23.76 to 475.20	0.5	0.132
15	$\frac{1}{2}$	5 to 100	79.20 to 1584.0	2.0	0.528
25	1	15 to 300	237.6 to 4752.0	5.0	1.320
40	$1\frac{1}{2}$	35 to 700	554.4 to 11088	20	5.280
50	2	50 to 1000	792.0 to 15840	50	13.20
80	3	150 to 3000	2376 to 47520	100	26.40
100	4	200 to 4500	3168 to 71280	200	52.80
150	6	350 to 12000	5544 to 190080	500	132.0
250	10	1500 to 35000	23760 to 554400	1000	264.0



Note!

For information about the other approvals → see corresponding certificate.

Operable flow range

Over 20 : 1 for verified device

Input signal**Status input (auxiliary input), HART:**

U = 3 to 30 V DC, $R_i = 5 \text{ k}\Omega$, galvanically isolated.

Configurable for: totalizer reset, positive zero return, error message reset, zero point adjustment start.

Status input (auxiliary input), Modbus RS485:

U = 3 to 30 V DC, $R_i = 3 \text{ k}\Omega$, galvanically isolated, switch level: ± 3 to ± 30 V DC, independent of polarity.

Configurable for: totalizer reset, positive zero return, error message reset, zero point adjustment start.

Output

Output signal	<p>Current output, HART</p> <p>Active/passive selectable, galvanically isolated, time constant selectable (0.05 to 100 s), full scale value selectable, temperature coefficient: typically 0.005% o.r./°C, resolution: 0.5 µA</p> <ul style="list-style-type: none"> ■ Active: 0/4 to 20 mA, $R_L < 700 \Omega$ (for HART: $R_L \geq 250 \Omega$) ■ Passive: 4 to 20 mA; supply voltage U_S 18 to 30 V DC; $R_i \geq 150 \Omega$ <p>Pulse / frequency output, HART</p> <p>For custody transfer measurement, two pulse outputs can be operated. Passive, galvanically isolated, open collector, 30 V DC, 250 mA</p> <ul style="list-style-type: none"> ■ Frequency output: Full scale frequency 2 to 10000 Hz ($f_{max} = 12500$ Hz), on/off ratio 1:1, pulse width max. 2 s. In "Phase-shifted pulse outputs" operating mode, the end frequency is limited to a maximum of 5000 Hz. ■ Pulse output: Pulse value and pulse polarity selectable, pulse width configurable (0.05 to 2000 ms) <p>Pulse / frequency output, Modbus</p> <p>Active/passive selectable, galvanically isolated</p> <ul style="list-style-type: none"> ■ Active: 24 V DC, 25 mA (max. 250 mA during 20 ms), $R_L > 100 \Omega$ ■ Passive: Open Collector, 30 V DC, 250 mA ■ Frequency output: Full scale frequency 2 to 10000 Hz ($f_{max} = 12500$ Hz), on/off ratio 1:1, pulse width max. 2 s. ■ Pulse output: Pulse value and pulse polarity selectable, pulse width configurable (0.05 to 2000 ms) <p>Modbus interface</p> <ul style="list-style-type: none"> ■ Modbus device type: slave ■ Address range: 1 to 247 ■ Functions codes supported: 03, 04, 06, 08, 16, 23 ■ Broadcast: supported with the function codes 06, 16, 23 ■ Physical interface: RS485 in accordance with standard EIA/TIA-485 ■ Baud rate supported: 1200, 2400, 4800, 9600, 19200, 38400, 57600, 115200 Baud ■ Transmission mode: RTU or ASCII ■ Response time: Direct data access = typically 25 to 50 ms Auto-scan buffer (data area) = typically 3 to 5 ms ■ Possible output combinations → 8
Signal on alarm	<ul style="list-style-type: none"> ■ Current output: Failsafe mode selectable (e.g. in accordance with NAMUR Recommendation NE 43). ■ Pulse/frequency output: Failsafe mode selectable. ■ Relay output: De-energised by fault or power supply failure. ■ Modbus RS485: If an error occurs, the value NaN (not a number) is output for the process variables.
Load	See "Output signal"
Low flow cutoff	Switch points for low flow cutoff are selectable.
Galvanic isolation	All circuits for inputs, outputs, and power supply are galvanically isolated from each other.
Switching output	<p>Relay output</p> <ul style="list-style-type: none"> ■ max. 30 V / 0.5 A AC; 60 V / 0.1 A DC ■ galvanically isolated ■ Normally closed (NC or break) or normally open (NO or make) contacts available (factory setting: relay 1 = NO, relay 2 = NC)

Power supply

Terminal assignment

The inputs and outputs on the communication board can be either permanently assigned (fixed) or variable (flexible), depending on the version ordered (see table). Replacements for modules which are defective or which have to be replaced can be ordered as accessories.

Order characteristic for "inputs/outputs"	Terminal No. (inputs/outputs)			
	20 (+) / 21 (-)	22 (+) / 23 (-)	24 (+) / 25 (-)	26 (+) / 27 (-)
<i>Fixed communication boards (permanent assignment)</i>				
S	–	–	Pulse/freq. output Ex i, passive	Current output Ex i active, HART
T	–	–	Pulse/freq. output Ex i, passive	Current output Ex i passive, HART
<i>Flexible communication boards</i>				
D	Status input	Relay output	Pulse/frequency output	Current output HART
M	Status input	Pulse/frequency output 2	Pulse/frequency output 1	Current output HART
N	Current output	Pulse/frequency output	Status input	Modbus RS485
Q	–	–	Status input	Modbus RS485
1	Relay output	Pulse/frequency output 2	Pulse/frequency output 1	Current output HART
2	Relay output	Current output 2	Pulse/frequency output	Current output 1 HART
7	Relay output 2	Relay output 1	Status input	Modbus RS485

Supply voltage

85 to 260 V AC, 45 to 65 Hz
 20 to 55 V AC, 45 to 65 Hz
 16 to 62 V DC

Power consumption

AC: <15 VA (including sensor)
 DC: <15 W (including sensor)

Switch-on current

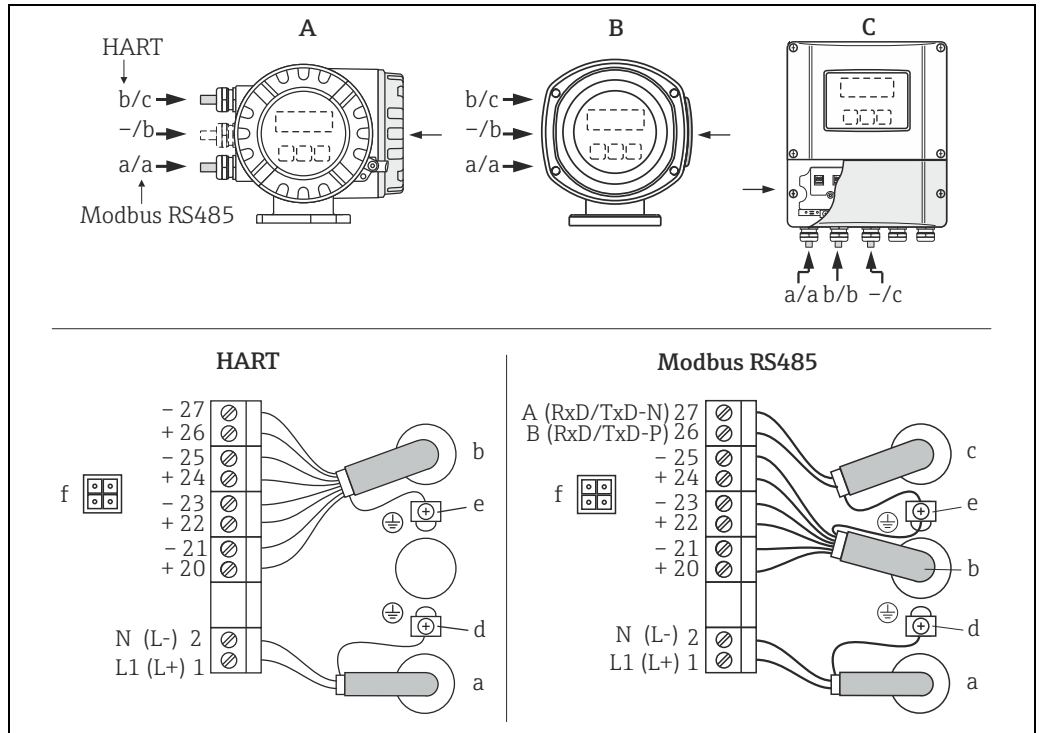
- Max. 13.5 A (<50 ms) at 24 V DC
- Max. 3 A (<5 ms) at 260 V AC

Power supply failure

Lasting min. 1 power cycle:

- EEPROM or T-DAT save measuring system data if the power supply fails.
- HistoROM/S-DAT: exchangeable data storage chip with sensor specific data (nominal diameter, serial number, calibration factor, zero point, etc.)
- See also "Switching on the power supply in custody transfer mode" → 10.

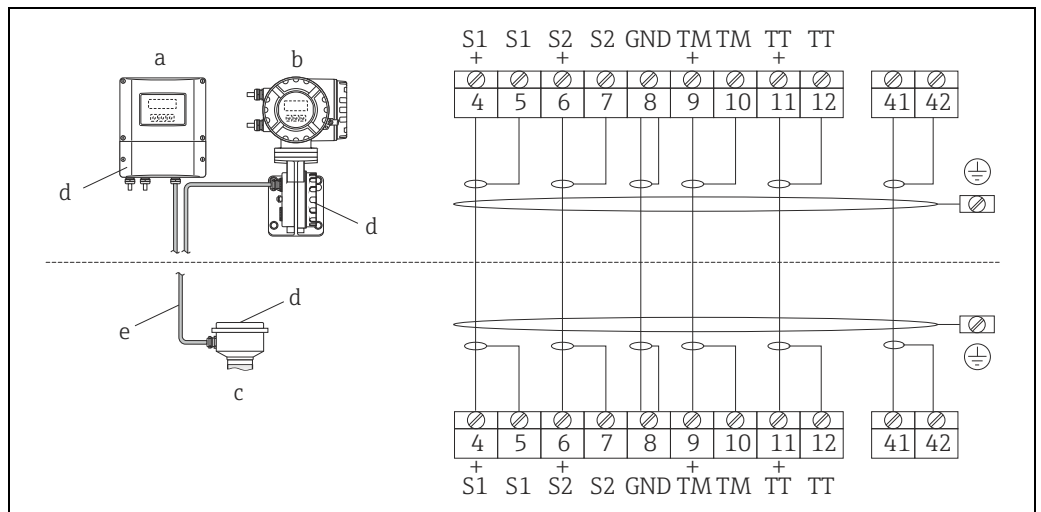
Electrical connection



Connecting the transmitter, cable cross-section: max. 2.5 mm²

- A View A (field housing)
- B View B (stainless steel field housing)
- C View C (wall-mount housing)
- a Cable for power supply: 85 to 260 V AC, 20 to 55 V AC, 16 to 62 V DC
 - Terminal No. 1: L1 for AC, L+ for DC
 - Terminal No 2: N for AC, L- for DC
- b Signal cable: Terminal assignment → 8
- c Fieldbus cable: Terminal assignment → 8
- d Ground terminal for protective earth
- e Ground terminal for Signal cable/RS485 cable
- f Service connector for connecting service interface FXA 193 with Proline adapter cable (Fieldcheck, FieldCare)

Electrical connection remote version



Connection of remote version

- a Wall-mount housing: non-hazardous area and ATEX II3G / zone 2 → see separate "Ex documentation"
- b Wall-mount housing: ATEX II2G / Zone 1 /FM/CSA → see separate "Ex documentation"
- c Connection housing sensor
- d Cover for connection compartment or connection housing
- e Connecting cable

Terminal No.: 4/5 = grey; 6/7 = green; 8 = yellow; 9/10 = pink; 11/12 = white; 41/42 = brown

Switching on the power supply in custody transfer mode

If the device is started in custody transfer mode, for example also after a power outage, system error No. 271 "POWER BRK. DOWN" flashes on the local display. The fault message can be acknowledged or reset using the "Enter" key or by means of the status input configured accordingly.

Note!

For correct measuring operation, it is not mandatory to reset the fault message.

Potential equalisation

No special measures for potential equalization are required. For instruments for use in hazardous areas, observe the corresponding guidelines in the specific Ex documentation.

Cable entries

Power-supply and signal cables (inputs/outputs)

- Cable entry M20 × 1.5 (8 to 12 mm / 0.31" to 0.47")
- Thread for cable entries, ½" NPT, G ½"

Connecting cable for remote version

- Cable entry M20 × 1.5 (8 to 12 mm / 0.31" to 0.47")
- Thread for cable entries, ½" NPT, G ½"

Remote version cable specifications

- 6 × 0.38 mm² PVC cable with common shield and individually shielded cores
- Conductor resistance: ≤50 Ω/km (≤0.015 Ω/ft)
- Capacitance: core/shield: ≤420 pF/m (≤128 pF/ft)
- Cable length: max. 20 m (65 ft)
- Operating temperature: max. +105 °C (+221 °F)

Operation in zones of severe electrical interference:

The measuring device complies with the general safety requirements in accordance with EN 61010, the EMC requirements of ICE/EN 61326, and NAMUR recommendation NE 21/43.

Performance characteristics

Reference operating conditions

- Error limits following ISO/DIN 11631
- Water with 15 to 45 °C (59 to 113 °F); 2 to 6 bar (29 to 87 psi)
- Data according to calibration protocol
- Accuracy based on accredited calibration rigs according to ISO 17025

To obtain measured errors, use the Applicator sizing tool *Applicator*: → 72.

Maximum measured error

o.r. = of reading; 1 g/cm³ = 1 kg/l; T = fluid temperature

Base accuracy**Mass flow and volume flow (liquids)**

- ±0.05% o.r. (PremiumCal, for mass flow)
- ±0.10% o.r.

Mass flow (gases)

±0.35% o.r.

Density (liquids)

- Reference conditions: ±0.0005 g/cm³
- Field density calibration: ±0.0005 g/cm³ (valid after field density calibration under process conditions)
- Standard density calibrations: ±0.01 g/cm³ (valid over the entire measuring range of the sensor → 20)

Temperature

±0.5 °C ± 0.005 · T °C (±1 °F ± 0.003 · (T - 32) °F)

Zero point stability

Promass F (standard version)

DN		Zero point stability	
[mm]	[in]	[kg/h]	[lb/min]
8	3/8	0.030	0.001
15	1/2	0.200	0.007
25	1	0.540	0.019
40	1 1/2	2.25	0.083
50	2	3.50	0.129
80	3	9.00	0.330
100	4	14.00	0.514
150	6	32.00	1.17
250	10	88.00	3.23

Promass F (high-temperature version)

DN		Zero point stability	
[mm]	[in]	[kg/h]	[lb/min]
25	1	1.80	0.0661
50	2	7.00	0.2572
80	3	18.0	0.6610

Flow values

Flow values as turndown parameter depending on nominal diameter.

SI units

DN	1:1	1:10	1:20	1:50	1:100	1:500
[mm]	[kg/h]	[kg/h]	[kg/h]	[kg/h]	[kg/h]	[kg/h]
8	2000	200.0	100.0	40.00	20.00	4.000
15	6500	650.0	625.0	130.0	65.00	13.00
25	18000	1800	900.0	360.0	180.0	36.00
40	45000	4500	2250	900.0	450.0	90.00
50	70000	7000	3500	1400	700.0	140.0
80	180000	18000	9000	3600	1800	360.0
100	350000	35000	17500	7000	3500	700.0
150	800000	80000	40000	16000	8000	1600
250	2200000	220000	110000	44000	22000	4400

US units

DN [in]	1:1 [lb/min]	1:10 [lb/min]	1:20 [lb/min]	1:50 [lb/min]	1:100 [lb/min]	1:500 [lb/min]
$\frac{3}{8}$	73.50	7.350	3.675	1.470	0.735	0.147
$\frac{1}{2}$	238.9	23.89	11.95	4.778	2.389	0.478
1	661.5	66.15	33.08	13.23	6.615	1.323
1½	1654	165.4	82.70	33.08	16.54	3.308
2	2573	257.3	128.7	51.46	25.73	5.146
3	6615	661.5	330.8	132.3	66.15	13.23
4	12860	1286	643.0	257.2	128.6	25.72
6	29400	2940	1470	588.0	294.0	58.80
10	80850	8085	4043	1617	808.5	161.7

Accuracy of outputs

o.r. = of reading; o.f.s. = of full scale value

The output accuracy must be factored into the measured error if analog outputs are used, but can be ignored for fieldbus outputs (e.g. Modbus RS485, EtherNet/IP).

Current output

Accuracy: Max. $\pm 0,05$ % o.f.s. or ± 5 μ A

Pulse/frequency output

Genauigkeit: Max. ± 50 % ppm o.r.

Repeatability

o.r. = of reading; $1 \text{ g/cm}^3 = 1 \text{ kg/l}$; T = fluid temperature

Design fundamentals →  13.

Base repeatability

Mass flow and volume flow (liquids)

- $\pm 0.025\%$ o.r. (PremiumCal, for mass flow)
- $\pm 0.05\%$ o.r.

Mass flow (gases):

$\pm 0.25\%$ o.r.

Density (liquids)

$\pm 0.00025 \text{ g/cm}^3$

Temperature

$\pm 0.25 \text{ }^\circ\text{C} \pm 0.0025 \cdot T \text{ }^\circ\text{C}$ ($\pm 0.45 \text{ }^\circ\text{F} \pm 0.0015 \cdot (T - 32) \text{ }^\circ\text{F}$)

Response time

- The response time depends on the configuration (damping).
- Response time in the event of erratic changes in the measured variable (only mass flow): after 100 ms 95 % of the full scale value.

Influence of medium temperature

When there is a difference between the temperature for zero point adjustment and the process temperature, the typical measured error of the Promass sensor is $\pm 0.0002\%$ of the full scale value / $^\circ\text{C}$ ($\pm 0.0001\%$ of the full scale value / $^\circ\text{F}$).

Influence of medium pressure The table below shows the effect on accuracy of mass flow due to a difference between calibration pressure and process pressure.

DN		Promass F (standard version)	Promass F (high-temperature version)
[mm]	[in]	[% o.r./bar]	[% o.r./bar]
8	$\frac{3}{8}$	no influence	-
15	$\frac{1}{2}$	no influence	-
25	1	no influence	no influence
40	$1\frac{1}{2}$	-0.003	-
50	2	-0.008	-0.008
80	3	-0.009	-0.009
100	4	-0.007	-
150	6	-0.009	-
250	10	-0.009	-

Design fundamentals

o.r. = of reading

BaseAccu = base accuracy in % o.r.

BaseRepeat = base repeatability in % o.r.

MeasValue = measured value (in flow units consistent with the zero point stability value → 11)

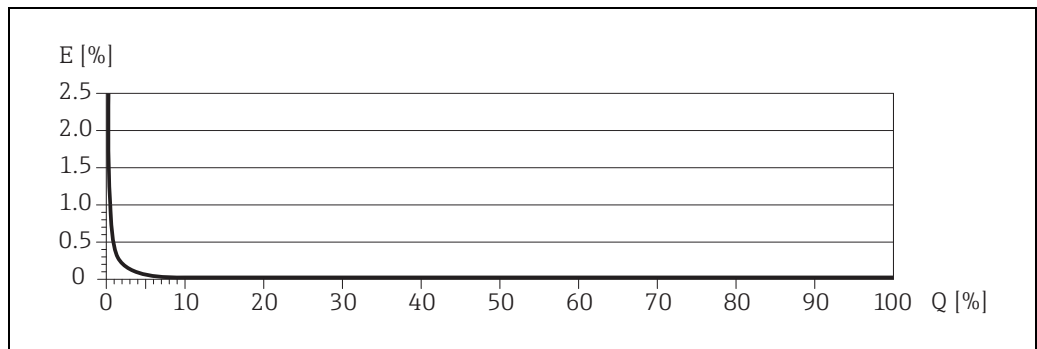
ZeroPoint = zero point stability

Calculation of the maximum measured error depending on flowrate

Flowrate (in flow units consistent with the zero point stability value → 11)	Maximum measured error in % o.r.
$\geq \frac{\text{ZeroPoint}}{\text{BaseAccu}} \cdot 100$ <small>A0021332</small>	$\pm \text{BaseAccu}$ <small>A0021339</small>
$< \frac{\text{ZeroPoint}}{\text{BaseAccu}} \cdot 100$ <small>A0021333</small>	$\pm \frac{\text{ZeroPoint}}{\text{MeasValue}} \cdot 100$ <small>A0021334</small>

Calculation of the repeatability depending on flowrate

Flowrate (in flow units consistent with the zero point stability value → 11)	Repeatability in % o.r.
$\geq \frac{\frac{1}{2} \cdot \text{ZeroPoint}}{\text{BaseRepeat}} \cdot 100$ <small>A0021335</small>	$\pm \text{BaseRepeat}$ <small>A0021340</small>
$< \frac{\frac{1}{2} \cdot \text{ZeroPoint}}{\text{BaseRepeat}} \cdot 100$ <small>A0021336</small>	$\pm \frac{1}{2} \cdot \frac{\text{ZeroPoint}}{\text{MeasValue}} \cdot 100$ <small>A0021337</small>

Example for maximum measured error

A0016708

E = Error: Maximum measured error as % o.r. (example Promass 83F)

Q = Flow rate as %

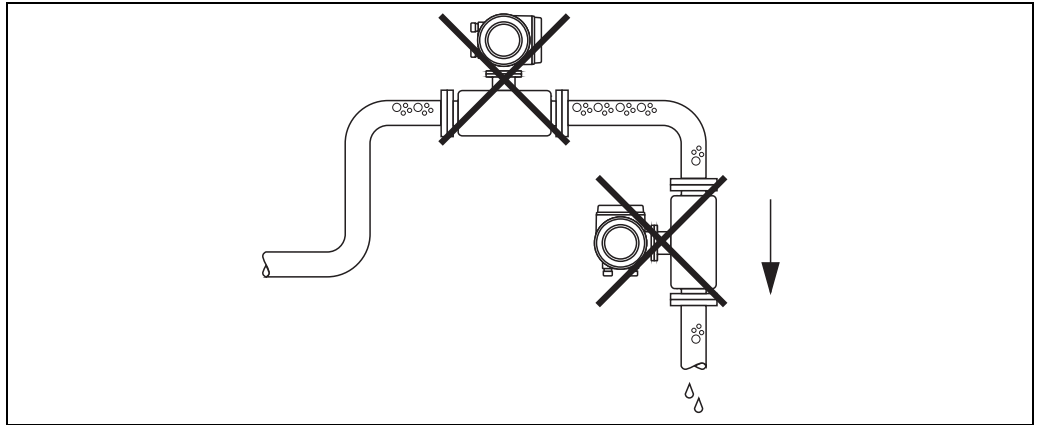
Installation

Mounting location

Entrained air or gas bubbles in the measuring tube can result in an increase in measuring errors

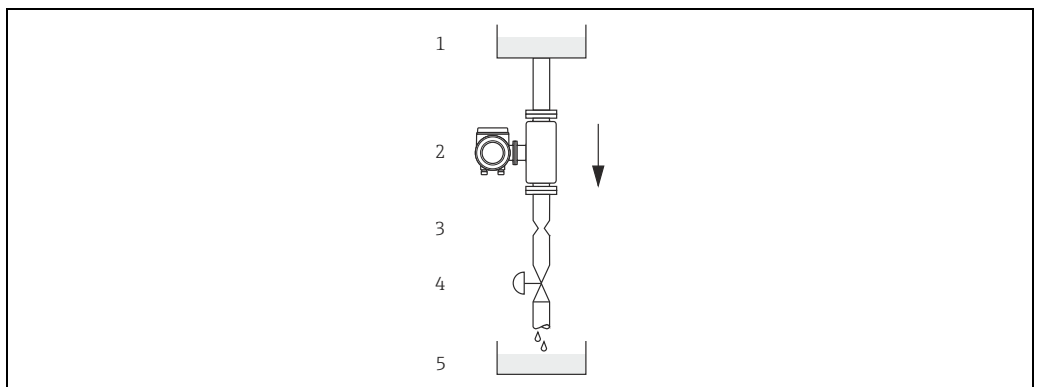
Avoid the following locations:

- Highest point of a pipeline. Risk of air accumulating.
- Directly upstream of a free pipe outlet in a vertical pipeline.



Mounting location

The proposed configuration in the following diagram, however, permits installation in a vertical pipeline. Pipe restrictors or the use of an orifice plate with a smaller cross-section than the nominal diameter prevent the sensor from running empty during measurement.



Installation in a down pipe (e.g. for batching applications)

- 1 Supply tank
- 2 Sensor
- 3 Orifice plate, pipe restriction (see Table following page)
- 4 Valve
- 5 Batching tank

DN		Ø Orifice plate, pipe restriction	
[mm]	[in]	[mm]	[in]
8	$\frac{3}{8}$	6	0.24
15	$\frac{1}{2}$	10	0.40
25	1	14	0.55
40	$1\frac{1}{2}$	22	0.87
50	2	28	1.10
80	3	50	2.00
100	4	65	2.60
150	6	90	3.54
250	10	150	5.91

Orientation

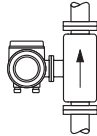

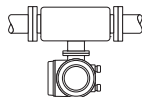
Make sure that the direction of the arrow on the nameplate of the sensor matches the direction of flow (direction in which the fluid flows through the pipe).

Vertical (Fig. V)

Recommended orientation with upward direction of flow (Fig. V). When fluid is not flowing, entrained solids will sink down and gases will rise away from the measuring tube. The measuring tubes can be completely drained and protected against solids build-up.

Horizontal (Fig. H1, H2)

The measuring tubes must be horizontal and beside each other. When installation is correct the transmitter housing is above or below the pipe (Fig. H1, H2). Always avoid having the transmitter housing in the same horizontal plane as the pipe.

Orientation	Vertical	Horizontal, Transmitter head up	Horizontal, Transmitter head down
	 Fig. V a0004572	 Fig. H1 a0004576	 Fig. H2 a0004580
Standard version, Compact version	✓✓	✓✓	✓✓ ²
Standard version, Remote version	✓✓	✓✓	✓✓ ²
High-temperature, Compact version	✓✓	✗ ¹ TM > 200 °C (> 392°F)	✓✓ ²
High-temperature, Remote version	✓✓	✗ ¹ TM > 200 °C (> 392°F)	✓✓ ²

✓✓ = Recommended orientation; ✓ = Orientation recommended in certain situations; ✗ = Impermissible orientation

In order to ensure that the maximum permissible ambient temperature for the transmitter is not exceeded, we recommend the following orientations:

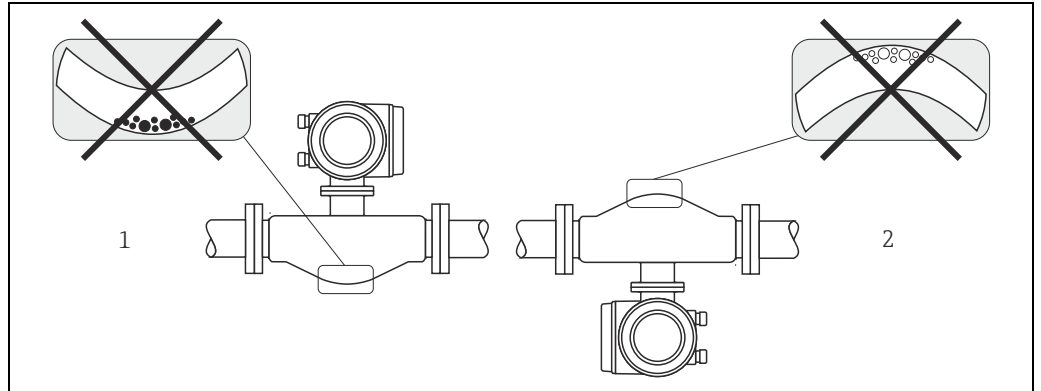
¹ = For fluids with low temperatures, we recommend the horizontal orientation with the transmitter head pointing upwards (Fig. H1) or the vertical orientation (Fig. V).

² = For fluids with high-temperatures, >200 °C (>392 °F), we recommend the horizontal orientation with the transmitter head pointing downwards (Fig. H2) or the vertical orientation (Fig. V).



Caution!

The two measuring tubes are slightly curved. The position of the sensor, therefore, has to be matched to the fluid properties when the sensor is installed horizontally .



Installed horizontally

- 1 *Not suitable for fluids with entrained solids. Risk of solids accumulating.*
- 2 *Not suitable for outgassing fluids. Risk of air accumulating.*

Installation instructions

Note the following points:

- No special measures such as supports are necessary. External forces are absorbed by the construction of the instrument, for example the secondary containment.
- The high oscillation frequency of the measuring tubes ensures that the correct operation of the measuring system is not influenced by pipe vibrations.
- No special precautions need to be taken for fittings which create turbulence (valves, elbows, T-pieces, etc.), as long as no cavitation occurs.
- For mechanical reasons and in order to protect the pipe, it is advisable to support heavy sensors.
- Please refer to the verification ordinances for the installation conditions of the approval for custody transfer in question.

The necessary steps for creating a measuring system and obtaining approval from the Standards Authorities must be clarified with the authority for legal metrology controls responsible.

Inlet and outlet runs

There are no installation requirements regarding inlet and outlet runs.

Length of connecting cable

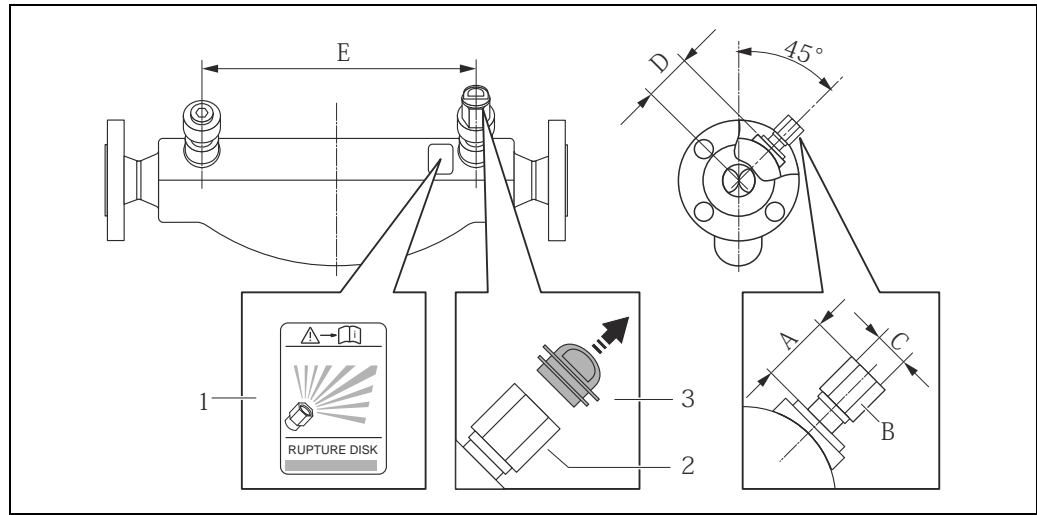
max. 20 m (65 ft), remote version

Special mounting instructions

Rupture disk

Make sure that the function and operation of the rupture disk is not impeded through the installation of the device. The position of the rupture disk is indicated on a sticker beside it. For additional information that is relevant to the process (→ 27).

The existing connecting nozzles are not designed for a rinse or pressure monitoring function.



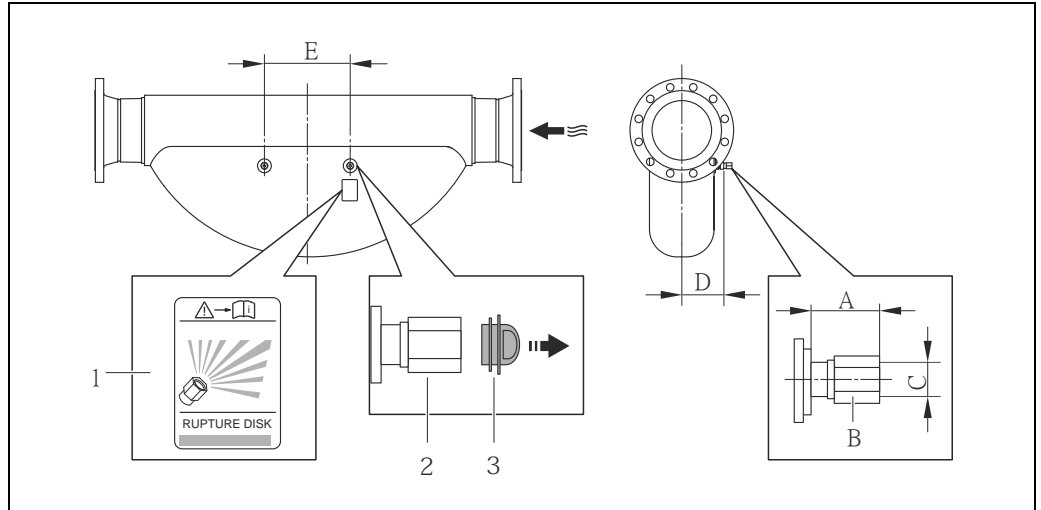
A0008361

DN 8 to DN 150 ($\frac{3}{8}$ " to 6")

1 = Rupture disk label, 2 = Rupture disk with 1/2" NPT internal thread with 1" width across flat, 3 = Transport protection

Dimensions

DN		A		B	C	D		E	
[mm]	[in]	[mm]	[in]	[in]	[in]	[mm]	[in]	[mm]	[in]
8	$\frac{3}{8}$	ca. 42	ca. 1.65	SW 1	$\frac{1}{2}$ NPT	62.0	2.44	216	8.50
15	$\frac{1}{2}$	ca. 42	ca. 1.65	SW 1	$\frac{1}{2}$ NPT	62.0	2.44	220	8.66
25	1	ca. 42	ca. 1.65	SW 1	$\frac{1}{2}$ NPT	62.0	2.44	260	10.26
40	1 $\frac{1}{2}$	ca. 42	ca. 1.65	SW 1	$\frac{1}{2}$ NPT	67.0	2.64	310	12.20
50	2	ca. 42	ca. 1.65	SW 1	$\frac{1}{2}$ NPT	79.0	3.11	452	17.78
80	3	ca. 42	ca. 1.65	SW 1	$\frac{1}{2}$ NPT	101.0	3.98	560	22.0
100	4	ca. 42	ca. 1.65	SW 1	$\frac{1}{2}$ NPT	120.0	4.72	684	27.0
150	6	ca. 42	ca. 1.65	SW 1	$\frac{1}{2}$ NPT	141.0	5.55	880	34.6



A0009733

DN 250 (10")

1 = Rupture disk label, 2 = Rupture disk with 1/2" NPT internal thread with 1" width across flat, 3 = Transport protection

Dimensions

DN		A		B	C	D		E	
[mm]	[in]	[mm]	[in]	[in]	[in]	[mm]	[in]	[mm]	[in]
250	10	ca. 42	ca. 1.65	SW 1	½ NPT	182	7.17	380	14.96


Zero point adjustment

All measuring devices are calibrated to state-of-the-art technology. Calibration takes place under reference operating conditions → 10. Consequently, the zero point adjustment is generally not necessary.

Experience shows that the zero point adjustment is advisable only in special cases:

- To achieve highest measuring accuracy also with small flow rates
- Under extreme process or operating conditions (e.g. very high process temperatures or very high-viscosity fluids).

Environment

Ambient temperature range	Sensor, transmitter <ul style="list-style-type: none"> ■ Standard: -20 to +60 °C (-4 to +140 °F) ■ Optional: -40 to +60 °C (-40 to +140 °F)
	 Note! <ul style="list-style-type: none"> ■ Install the device at a shady location. Avoid direct sunlight, particularly in warm climatic regions. ■ At ambient temperatures below -20 °C (-4 °F) the readability of the display may be impaired.
Storage temperature	-40 to +80 °C (-40 to +175 °F), preferably +20 °C (+68 °F)
Ambient class	B, C, I
Degree of protection	Standard: IP 67 (NEMA 4X) for transmitter and sensor
Shock resistance	According to IEC 68-2-31
Vibration resistance	Acceleration up to 1 g, 10 to 150 Hz, following IEC 68-2-6
CIP cleaning	yes
SIP cleaning	yes
Electromagnetic compatibility (EMC)	To ICE/EN 61326 and NAMUR recommendation NE 21

Process

Medium temperature range	Sensor <ul style="list-style-type: none"> ■ -50 to +200 °C (-58 to +392 °F) ■ High-temperature version: -50 to +350 °C (-58 to +660 °F)
Medium density	0 to 5000 kg/m ³ (0 to 312 lb/ft ³)
Medium pressure range (nominal pressure)	Flanges <ul style="list-style-type: none"> ■ Standard version: <ul style="list-style-type: none"> - according to DIN PN 16 to 100 - according to ASME B16.5 Cl 150, Cl 300, Cl 600 - JIS 10K, 20K, 40K, 63K ■ High-temperature version: <ul style="list-style-type: none"> - according to DIN PN 40, 64, 100 - according to ASME B16.5 Cl 150, Cl 300, Cl 600 - JIS 10K, 20K, 63K

Secondary containment pressure rating

The sensor housing is filled with dry nitrogen and protects the electronics and mechanics inside.

DN		Secondary containment rating (designed with a safety factor ≥ 4)		Burst pressure of secondary containment	
[mm]	[in]	[bar]	[psi]	[bar]	[psi]
8	$\frac{3}{8}$	40	580	255	3695
15	$\frac{1}{2}$	40	580	200	2900
25	1	40	580	280	4060
40	$1\frac{1}{2}$	40	580	180	3610
50	2	40	580	195	2825
80	3	25	362	105	1520
100	4	16	232	85	1230
150	6	16	232	80	1160
250	10	10	145	57	825



Note!

In case a danger of measuring tube failure exists due to process characteristics, e.g. with corrosive process fluids, we recommend the use of sensors whose secondary containment is equipped with special pressure monitoring connections (ordering option). With the help of these connections, fluid collected in the secondary containment in the event of tube failure can be bled off. This is especially important in high pressure gas applications. These connections can also be used for gas circulation and/or gas detection (Dimensions → 31).

Do not open the purge connections unless the containment can be filled immediately with a dry inert gas. Use only low gauge pressure to purge. Maximum pressure: 5 bar (72.5 psi).

If a device equipped with purge connections is connected to the purge system, the maximum pressure rating is defined by the purge system itself or the device, whichever is lower.

If the device is equipped with a rupture disk, the maximum pressure rating is defined by the rupture disk properties (→ 65).

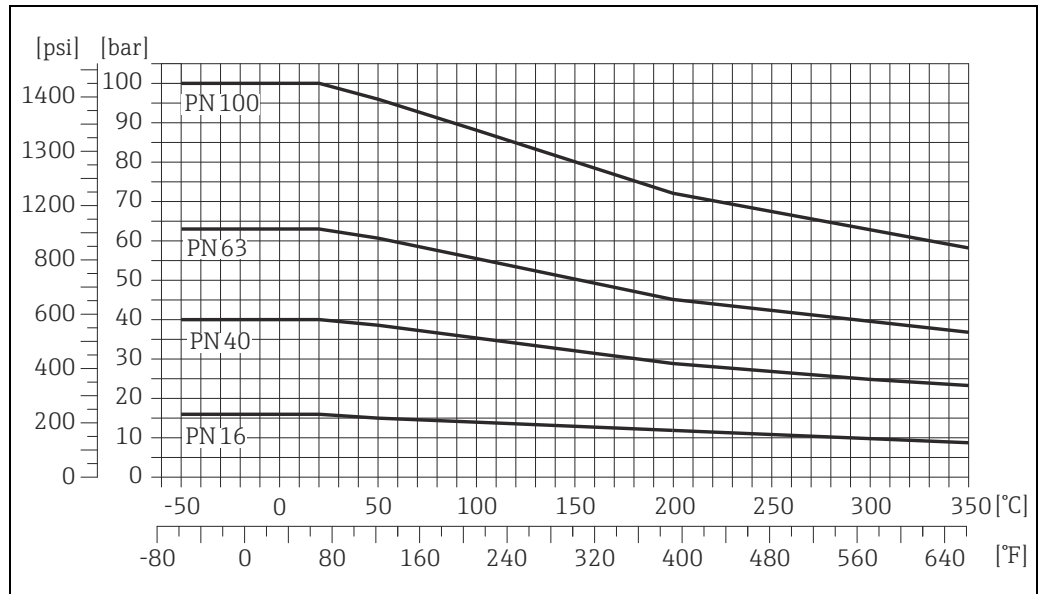
Pressure-temperature ratings



Warning!
The following material load curves refer to the entire sensor and not just the process connection.

Flange connection according to EN 1092-1 (DIN 2501)

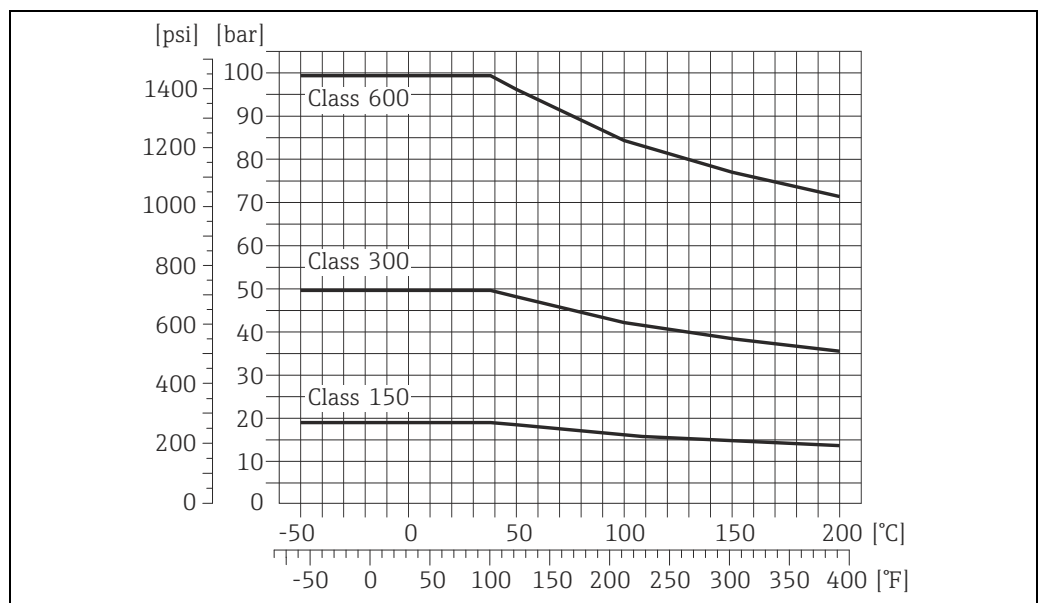
Flange material: 1.4404 (F316/F316L), Alloy C22



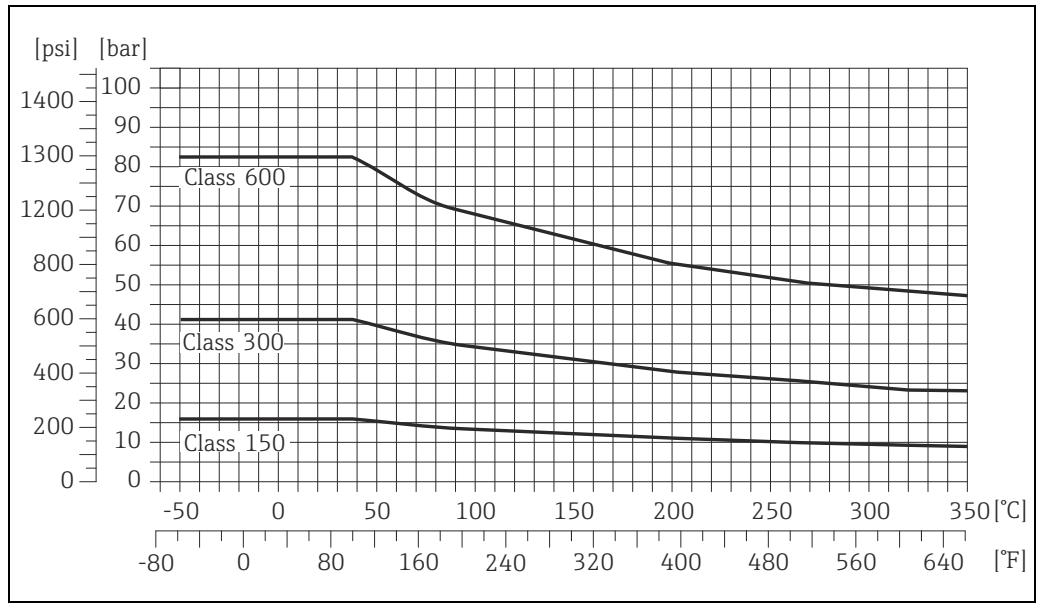
The values for the temperature range from +200 °C to +350 °C (+392 °F to +662 °F) are exclusively valid for the high-temperature version.

Flange connection according to ASME B16.5

Flange material: 1.4404 (F316/F316L), standard version

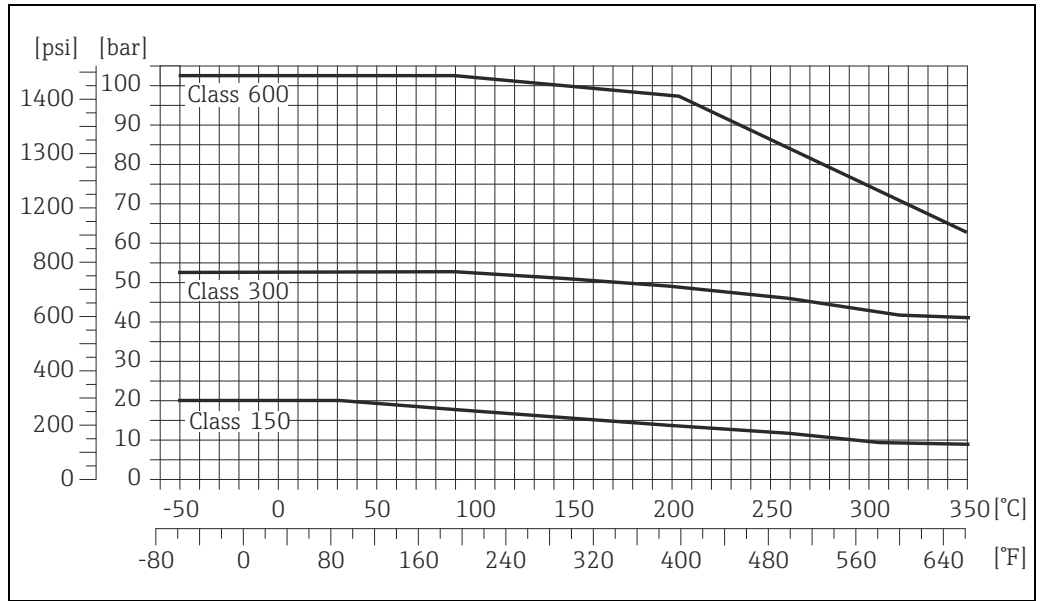


Flange material: 1.4404 (F316/F316L), high-temperature version



The values for the temperature range are exclusively valid for high-temperature version.

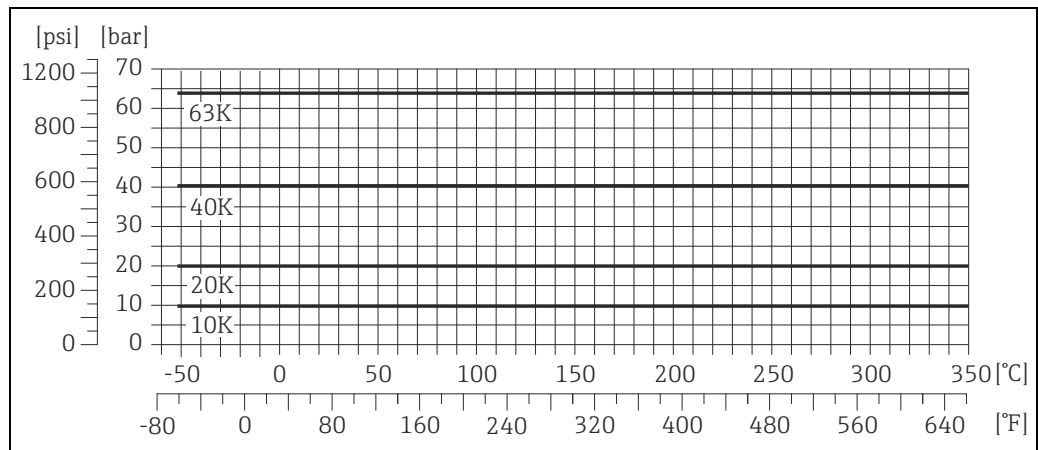
Flange material: Alloy C22, high-temperature version



The values for the temperature range are exclusively valid for high-temperature version.

Flange connection to JIS B2220

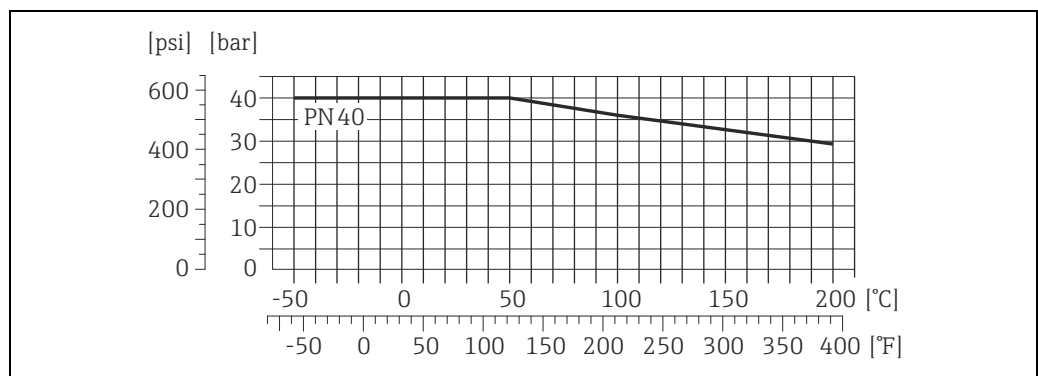
Flange material: 1.4404 (F316/F316L), Alloy C22



The values for the temperature range from +200 °C to +350 °C (+392 °F to +662 °F) are exclusively valid for high-temperature version.

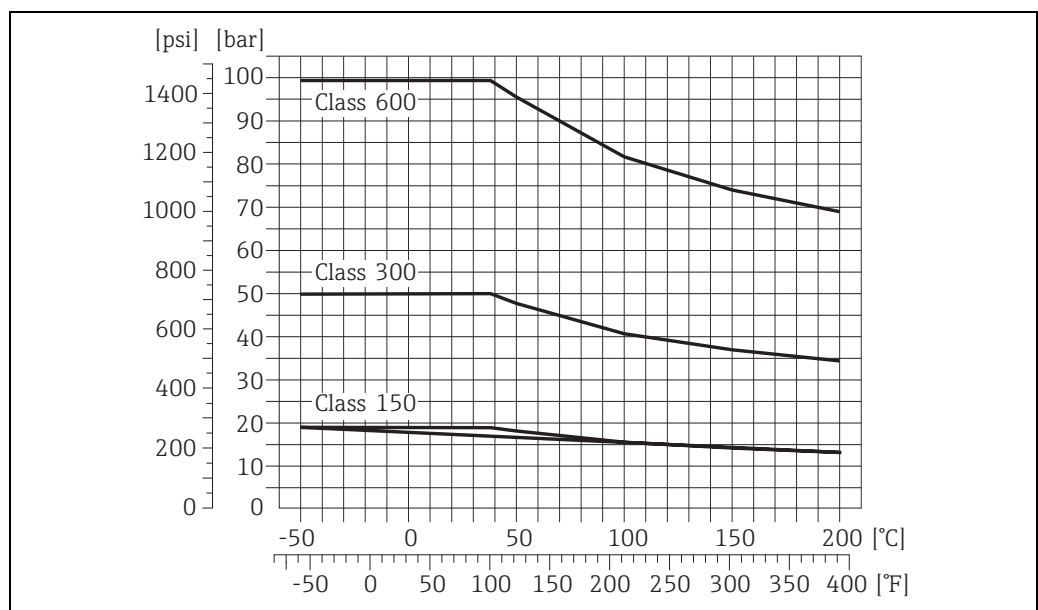
Lap joint flange according to EN 1092-1 (DIN 2501)

Flange material: 1.4301 (F304); wetted parts: Alloy C22



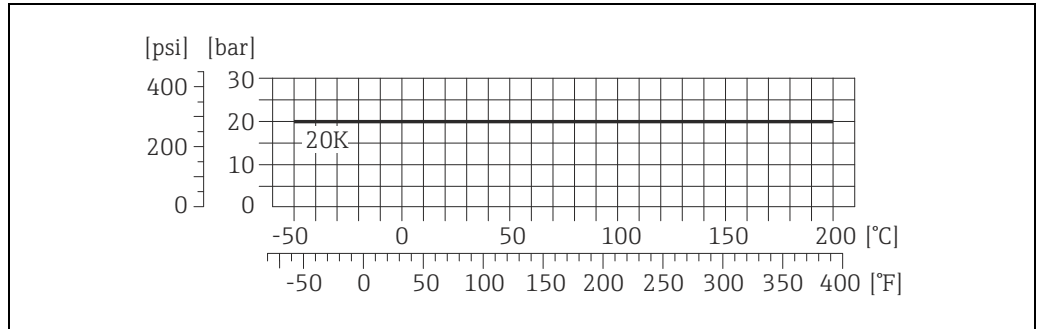
Lap joint flange according to ASME B16.5

Flange material: 1.4301 (F304); wetted parts: Alloy C22



Lap joint flange JIS B2220

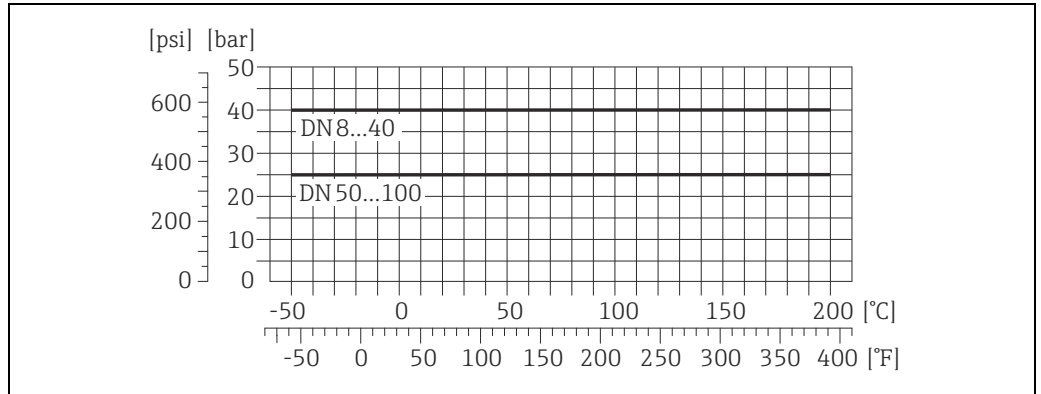
Flange material: 1.4301 (F304); wetted parts: Alloy C22



A0021346-EN

Process connection to DIN 11851

Connection material: 1.4404 (316/316L)

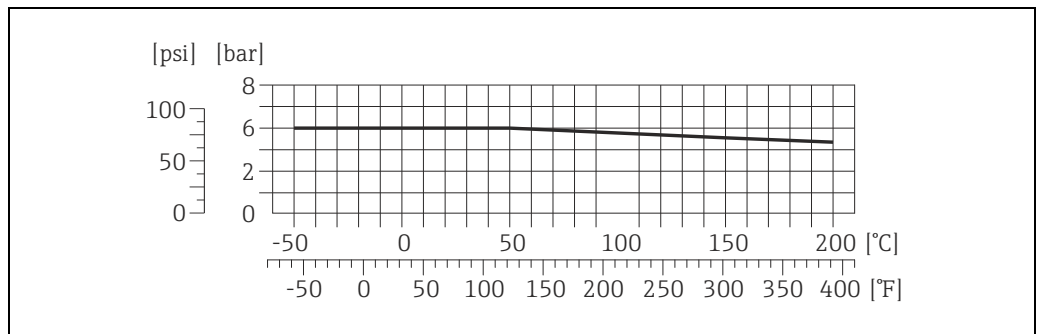


A0021027-EN

DIN 11851 allows for applications up to +140 °C (+284 °F) if suitable sealing materials are used. Please take this into account when selecting seals and counterparts as these components can limit the pressure and temperature range.

Process connection to SMS 1145

Connection material: 1.4404 (316/316L)



A0013056

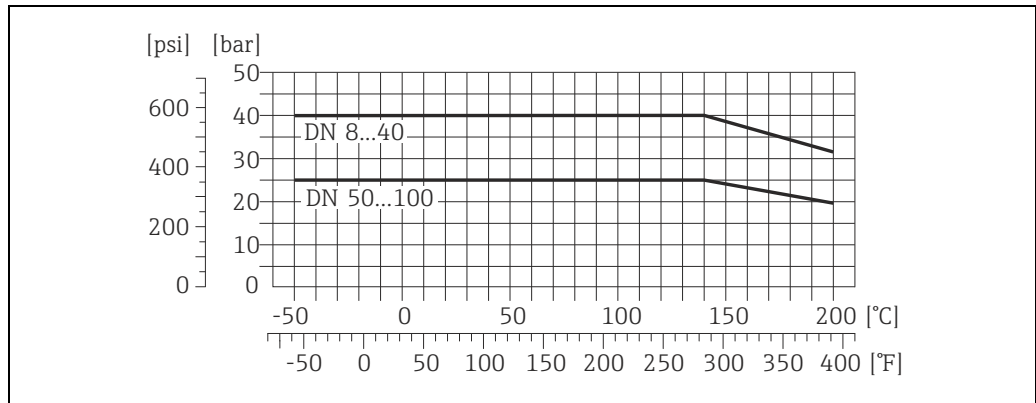
SMS 1145 allows for applications up to 6 bar (87 psi) if suitable sealing materials are used. Please take this into account when selecting seals and counterparts as these components can limit the pressure and temperature range.

Tri-Clamp process connection

The Clamp connections are suited up to a maximum pressure of 16 bar (232 psi). Please observe the operating limits of the clamp and seal used as they could be under 16 bar (232 psi). The clamp and the seal are not included in the scope of supply.

Aseptic threaded connection to DIN 11864-1 Form A

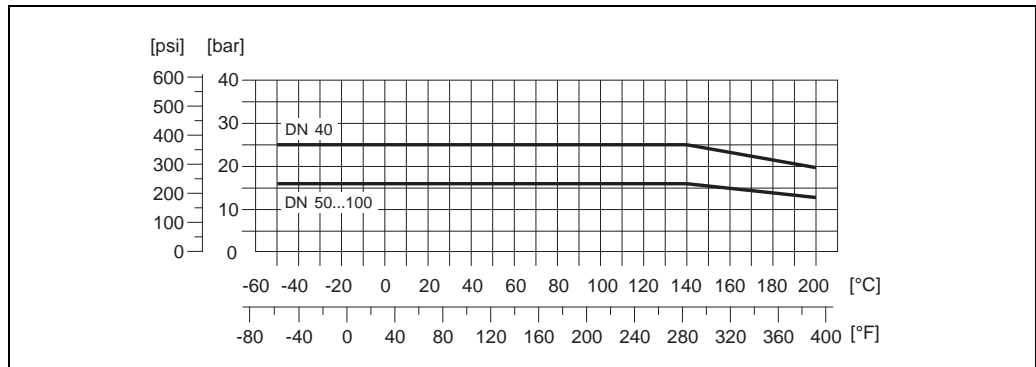
Connection material: 1.4404 (316/316L)



A0012809-DE

Flange connection to DIN 11864-2 Form A (aseptic flat flange with groove)

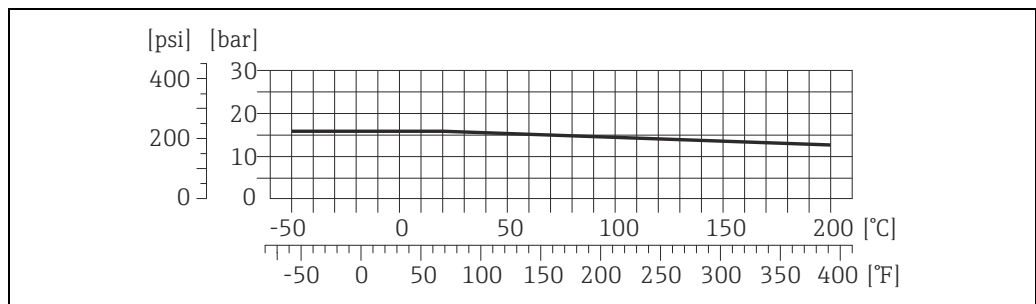
Flange material: 1.4404 (316/316L)



A0004659

Threaded hygienic connection to ISO 2853

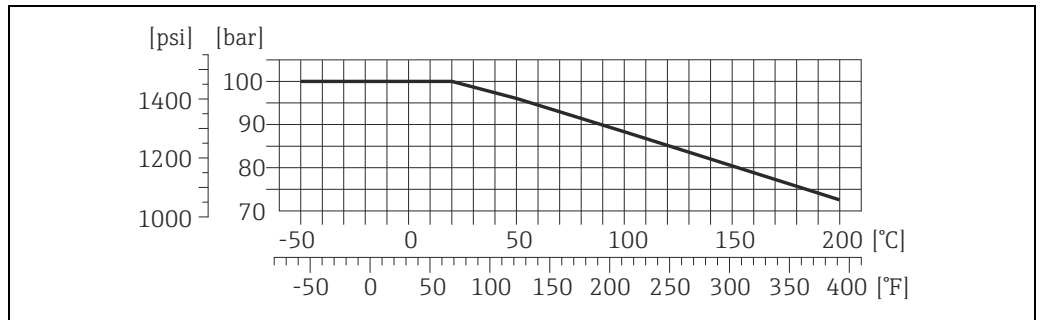
Connection material: 1.4404 (316/316L)



A0020964-EN

VCO process connection

Connection material: 1.4404 (316/316L)



A0020963-EN

Rupture disk

To increase the level of safety, a device version with a rupture disk with a triggering pressure of 10 to 15 bar (145 to 217.5 psi) can be used. Special mounting instructions: (→ 18). Rupture disks cannot be combined with the separately available heating jacket (→ 71).

Limiting flow

See "Measuring range" section → 5

Select nominal diameter by optimising between required flow range and permissible pressure loss. An overview of max. possible full scale values can be found in the "Measuring range" Section.

- The minimum recommended full scale value is approx. 1/20 of the max. full scale value.
- In most applications, 20 to 50% of the maximum full scale value can be considered ideal.
- Select a lower full scale value for abrasive substances such as fluids with entrained solids (flow velocity <math><1\text{ m/s}</math> (<math><3\text{ ft/s}</math>)).
- For gas measurement the following rules apply:
 - Flow velocity in the measuring tubes should not be more than half the sonic velocity (0.5 Mach).
 - The maximum mass flow depends on the density of the gas: formula → 5

Pressure lossTo calculate the pressure loss, use the *Applicator* sizing tool (→ 71).**System pressure**

It is important to ensure that cavitation does not occur, because it would influence the oscillation of the measuring tube. No special measures need to be taken for fluids which have properties similar to water under normal conditions.

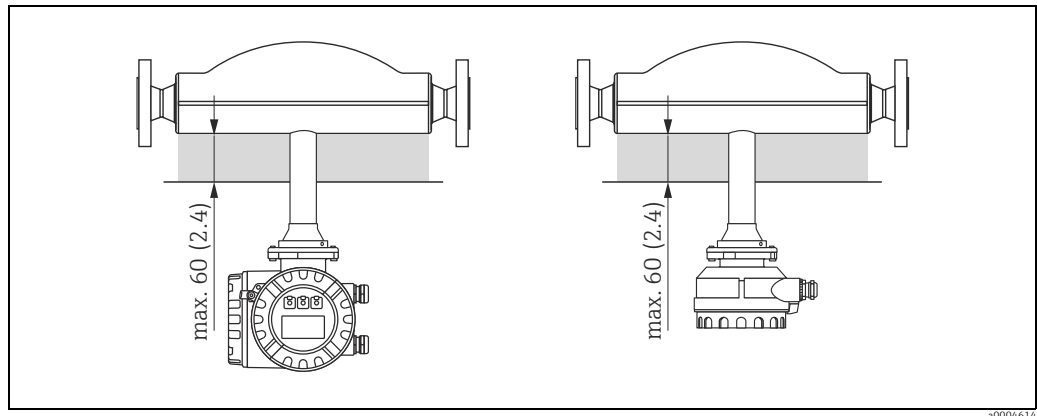
In the case of liquids with a low boiling point (hydrocarbons, solvents, liquefied gases) or in suction lines, it is important to ensure that pressure does not drop below the vapour pressure and that the liquid does not start to boil. It is also important to ensure that the gases that occur naturally in many liquids do not outgas. Such effects can be prevented when system pressure is sufficiently high.

Consequently, it is generally best to install the sensor:

- downstream from pumps (no danger of vacuum),
- at the lowest point in a vertical pipe.

Thermal insulation

Some fluids require suitable measures to avoid loss of heat at the sensor. A wide range of materials can be used to provide the required thermal insulation.



High-temperature version: maximum insulation thickness of 60 mm (2.4") in the area of the electronics/neck

If the Promass F high-temperature version is installed horizontally (with transmitter head pointing upwards), an insulation thickness of min. 10 mm (0.4") is recommended to reduce convection. The maximum insulation thickness of 60 mm (2.4") must be observed.

Heating

Some fluids require suitable measures to avoid loss of heat at the sensor. Heating can be electric, e.g. with heated elements, or by means of hot water or steam pipes made of copper or heating jackets.



Caution!

- Risk of electronics overheating! Make sure that the maximum permissible ambient temperature for the transmitter is not exceeded. Consequently, make sure that the adapter between sensor and transmitter and the connection housing of the remote version always remain free of insulating material. Note that a certain orientation might be required, depending on the fluid temperature → 20.
- With a fluid temperature between +200 °C to +350 °C (+392 °F to +662 °F) the remote version of the high-temperature version is preferable.
- When using electrical heat tracing whose heat is regulated using phase control or by pulse packs, it cannot be ruled out that the measured values are influenced by magnetic fields which may occur, (i.e. at values greater than those permitted by the EC standard (Sinus 30 A/m)). In such cases, the sensor must be magnetically shielded.

The secondary containment can be shielded with tin plates or electric sheets without privileged direction (e.g. V330-35A) with the following properties:

- Relative magnetic permeability $\mu_r \geq 300$
- Plate thickness $d \geq 0.35 \text{ mm}$ ($d \geq 0.014''$)
- Information on permissible temperature ranges → 20

Special heating jackets which can be ordered as accessories from are available for the sensors.

Custody transfer measurement

Promass 84 is a flowmeter suitable for custody transfer measurement for liquids (other than water) and gases.

Custody transfer variables

- Mass flow
- Volume flow
- Density

Suitability for custody transfer, metrological control, obligation to subsequent verification



Promass 84 flowmeters are usually verified on site using reference measurements. Only once it has been verified on site by the Verification Authority for legal metrology controls may the measuring device be regarded as verified and used for applications subject to legal metrology controls. The associated seal (stamp) on the measuring device ensures this status.

Caution!

Only flowmeters verified by the Verification Authorities may be used for invoicing in applications subject to legal metrology controls. For all verification processes, both the corresponding approvals and the country-specific requirements resp. regulations (e.g. such as the German Verification Act) must be observed. The owner / user of the instrument is obliged to subsequent verification.

Approval for custody transfer

The requirements of the following legal metrology authorities are taken into consideration:

Switching on the power supply in custody transfer mode

If the device is started in custody transfer mode, for example also after a power outage, system error No. 271 "POWER BRK. DOWN" flashes on the local display. The fault message can be acknowledged or reset using the "Enter" key or by means of the status input configured accordingly.



Note!

For correct measuring operation, it is not mandatory to reset the fault message.

Verification (Example)

Type-approved measuring systems for liquids other than water are always verified at their place of deployment. For this purpose, the facility's owner-operator must make everything available when the Verification Authorities come to inspect and verify the system. This includes:

- Scales or container with a reading unit with a load or volumetric capacity that corresponds to the operation of the system at Q_{max} for one minute. The resolution of the scales display or the reading unit must be at least 0.1 % of the minimum measured quantity.
- Unit for removing the medium being measured after the totalizer to fill the scales or the container.
- Making a sufficient quantity of the medium being measured available. The quantity is derived from the operation of the system. The following rule of thumb applies - quantity at:
 - 3×1 minute at Q_{min} ,
 - plus 3×1 minute at $\frac{1}{2} Q_{max}$,
 - plus 3×1 minute at Q_{max} ,
 - plus adequate quantity in reserve.
- Approval certificates



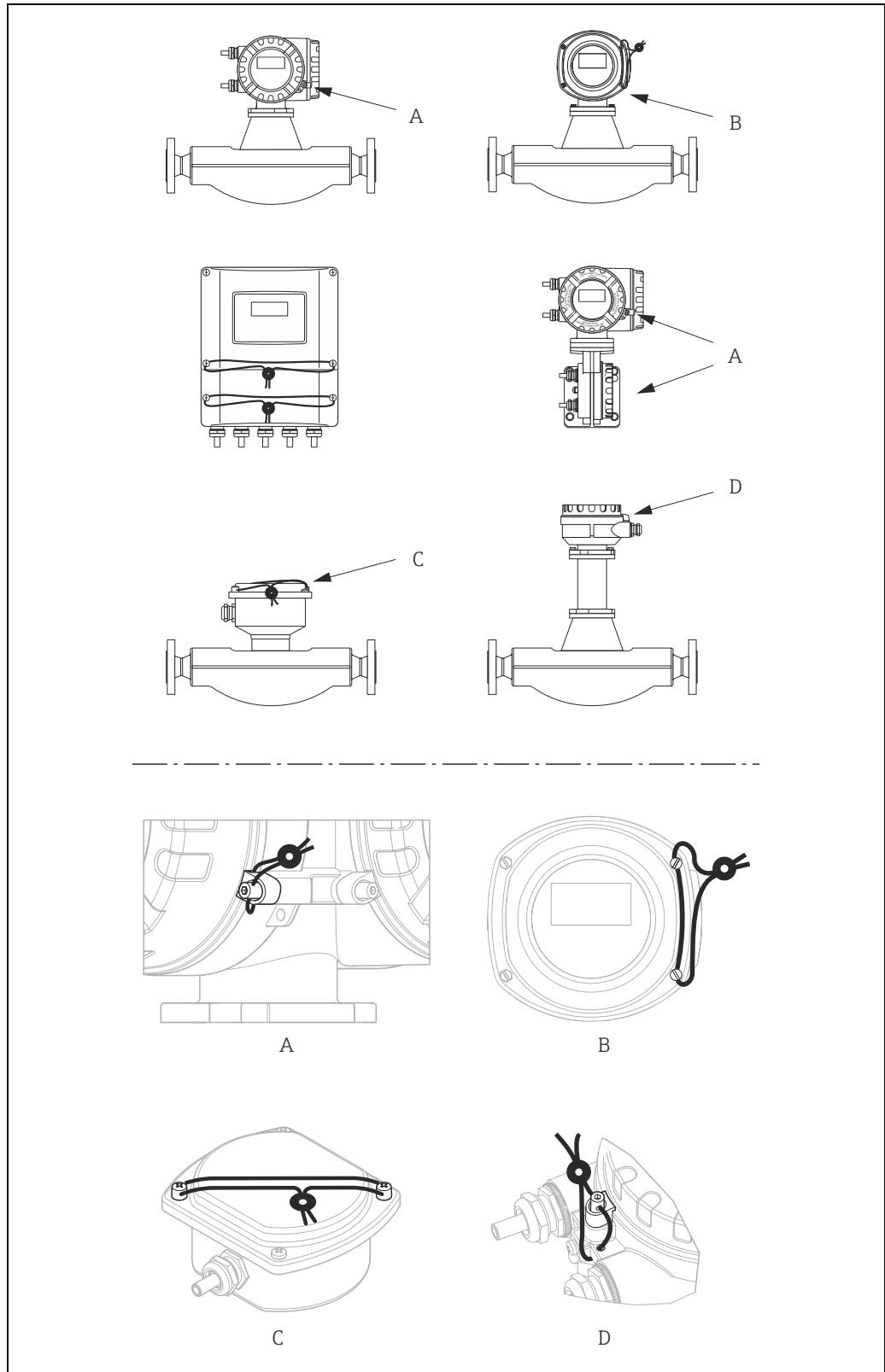
Note!

All issues should be clarified in advance with the authority responsible to ensure the successful verification of the measuring system.

Setting up custody transfer mode

A detailed description of the "setting up custody transfer mode" process is provided in the Operating Instructions supplied with the device.

Stamp points



A0001778

Examples of how to seal the various device versions.

Disabling custody transfer mode

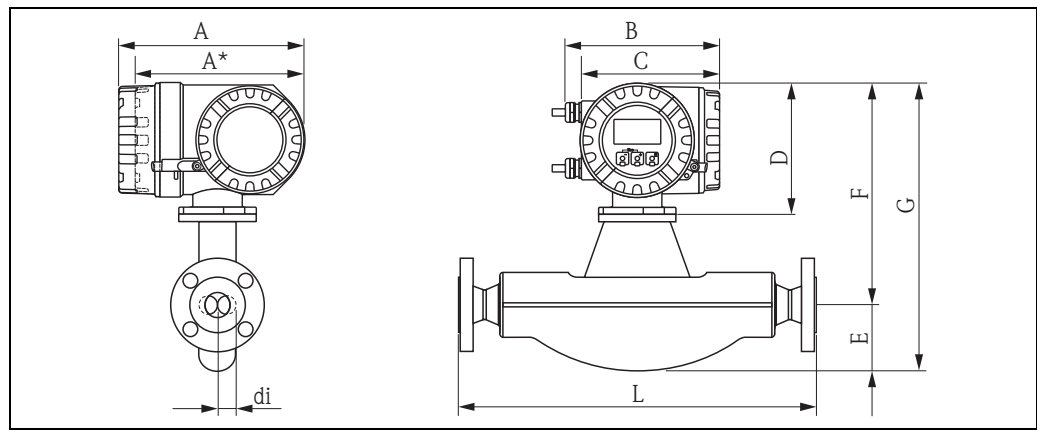
A detailed description of the "disabling custody transfer mode" process is provided in the Operating Instructions supplied with the device.

Mechanical construction

Design/dimensions

Abmessungen	
Field housing compact version, powder-coated die-cast aluminum	→ 32
Transmitter compact version, stainless steel	→ 34
Transmitter remote version, connection housing (II2G/Zone 1)	→ 35
Transmitter remote version, wall-mount housing (non Ex-zone and II3G/Zone 2)	→ 36
Sensor remote version, connection housing	→ 37
Sensor remote version, connection housing with an extended neck	→ 38
High-temperature version (compact)	→ 39
High-temperature version (remote)	→ 40
Process connections in SI units	
Flange connections EN (DIN)	→ 41
Flange connections ASME B16.5	→ 43
Flange connections JIS B2220	→ 45
Lap joint flange EN (DIN)	→ 48
Lap joint flange ASME B16.6	→ 48
Lap joint flange JIS	→ 49
Tri-Clamp	→ 50
DIN 11851 (threaded hygienic connection)	→ 51
DIN 11864-1 Form A (aseptic threaded connection)	→ 52
DIN 11864-2 Form A (aseptic flat flange with groove)	→ 53
ISO 2853 (threaded hygienic connection)	→ 54
SMS 1145 (threaded hygienic connection)	→ 55
VCO connections	→ 56
Process connection in US units	
Flange connections ASME B16.5	→ 57
Tri-Clamp	→ 62
SMS 1145 (Threaded hygienic connection)	→ 63
VCO connections	→ 64
Purge connections / secondary containment monitoring	→ 65

Field housing compact version, powder-coated die-cast aluminum



Dimensions in SI units

DN	A	A*	B	C	D	E	F	G	L	di
8	227	207	187	168	160	75	266	341	1) ¹⁾	1) ¹⁾
15	227	207	187	168	160	75	266	341	1) ¹⁾	1) ¹⁾
25	227	207	187	168	160	75	266	341	1) ¹⁾	1) ¹⁾
40	227	207	187	168	160	105	271	376	1) ¹⁾	1) ¹⁾
50	227	207	187	168	160	141	283	424	1) ¹⁾	1) ¹⁾
80	227	207	187	168	160	200	305	505	1) ¹⁾	1) ¹⁾
100	227	207	187	168	160	254	324	578	1) ¹⁾	1) ¹⁾
150	227	207	187	168	160	378	362	740	1) ¹⁾	1) ¹⁾
250	227	207	187	168	160	548	390	938	1) ¹⁾	1) ¹⁾

* Blind version (without local display)

¹⁾ dependent on respective process connection

All dimensions in [mm]

Dimensions in US units

DN	A	A*	B	C	D	E	F	G	L	di
3/8"	8.94	8.15	7.68	6.61	6.30	2.95	10.5	13.4	1) ¹⁾	1) ¹⁾
1/2"	8.94	8.15	7.68	6.61	6.30	2.95	10.5	13.4	1) ¹⁾	1) ¹⁾
1"	8.94	8.15	7.68	6.61	6.30	2.95	10.5	13.4	1) ¹⁾	1) ¹⁾
1 1/2"	8.94	8.15	7.68	6.61	6.30	4.13	10.7	14.8	1) ¹⁾	1) ¹⁾
2"	8.94	8.15	7.68	6.61	6.30	5.55	11.1	16.7	1) ¹⁾	1) ¹⁾
3"	8.94	8.15	7.68	6.61	6.30	7.87	12.0	19.9	1) ¹⁾	1) ¹⁾
4"	8.94	8.15	7.68	6.61	6.30	10.0	12.8	22.8	1) ¹⁾	1) ¹⁾
6"	8.94	8.15	7.68	6.61	6.30	14.9	14.3	29.1	1) ¹⁾	1) ¹⁾
10"	8.94	8.15	7.68	6.61	6.30	21.6	15.4	36.9	1) ¹⁾	1) ¹⁾

*Blind version (without local display)

¹⁾ dependent on respective process connection

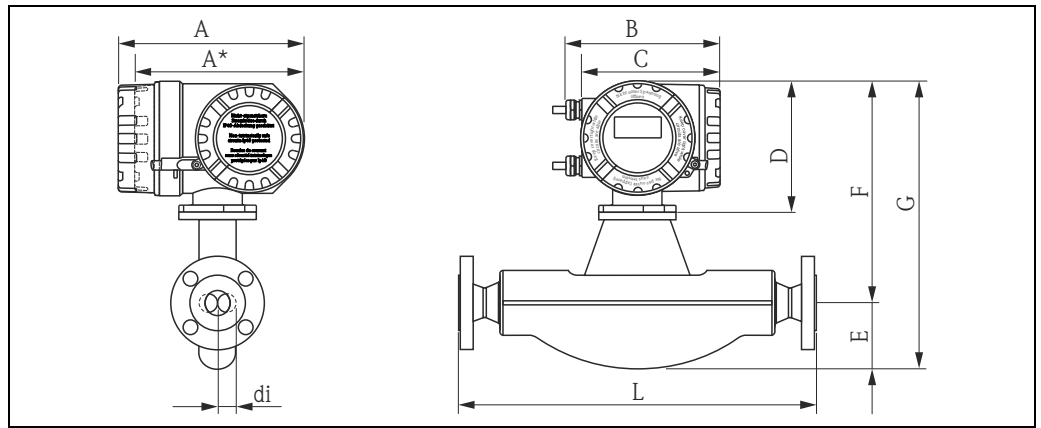
All dimensions in [in]



Note!

Dimensions for transmitters II2G/Zone 1 → 35.

Field housing compact version (II2G/Zone 1), powder-coated die-cast aluminum



Dimension unit in mm (in)

A0021933

Dimensions in SI units

DN	A	A*	B	C	D	E	F	G	L	di
8	240	217	206	186	178	75	284	359	1)	1)
15	240	217	206	186	178	75	284	359	1)	1)
25	240	217	206	186	178	75	284	359	1)	1)
40	240	217	206	186	178	105	289	394	1)	1)
50	240	217	206	186	178	141	301	442	1)	1)
80	240	217	206	186	178	200	323	523	1)	1)
100	240	217	206	186	178	254	342	596	1)	1)
150	240	217	206	186	178	378	380	758	1)	1)
250	240	217	206	186	178	548	408	956	1)	1)

* Blind version (without local display)

¹⁾ dependent on respective process connection

All dimensions in [mm]

Dimensions in US units

DN	A	A*	B	C	D	E	F	G	L	di
3/8"	9.45	8.54	8.11	7.32	7.01	2.95	11.2	14.1	1)	1)
1/2"	9.45	8.54	8.11	7.32	7.01	2.95	11.2	14.1	1)	1)
1"	9.45	8.54	8.11	7.32	7.01	2.95	11.2	14.1	1)	1)
1 1/2"	9.45	8.54	8.11	7.32	7.01	4.13	11.4	15.5	1)	1)
2"	9.45	8.54	8.11	7.32	7.01	5.55	11.8	17.4	1)	1)
3"	9.45	8.54	8.11	7.32	7.01	7.87	12.7	20.6	1)	1)
4"	9.45	8.54	8.11	7.32	7.01	10.0	13.5	23.5	1)	1)
6"	9.45	8.54	8.11	7.32	7.01	14.9	15.0	29.8	1)	1)
10"	9.45	8.54	8.11	7.32	7.01	21.6	16.1	37.6	1)	1)

* Blind version (without local display)

¹⁾ dependent on respective process connection

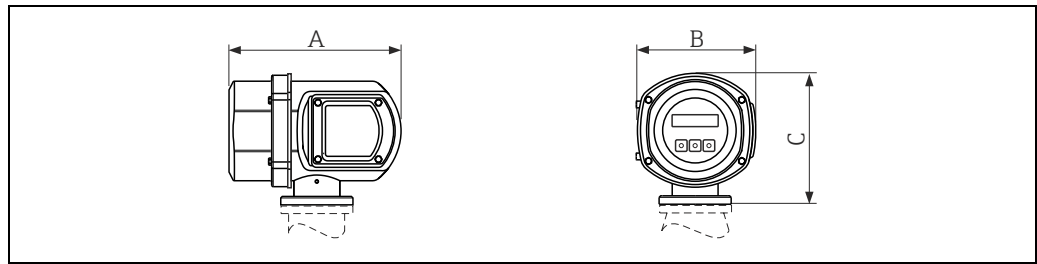
All dimensions in [in]



Note!

Dimensions for transmitters II2G/Zone 1 → 35.

Transmitter compact version, stainless steel

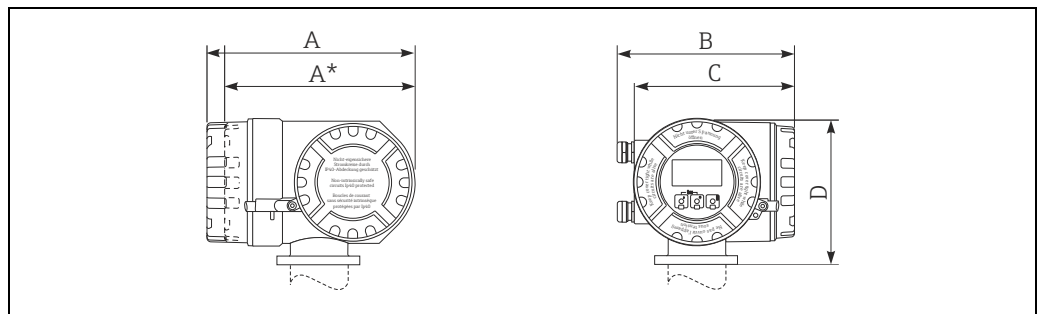


a0002245

Dimensions in SI and US units

A		B		C	
[mm]	[in]	[mm]	[in]	[mm]	[in]
225	8.86	153	6.02	168	6.61

Transmitter compact version (II2G/Zone 1), stainless steel

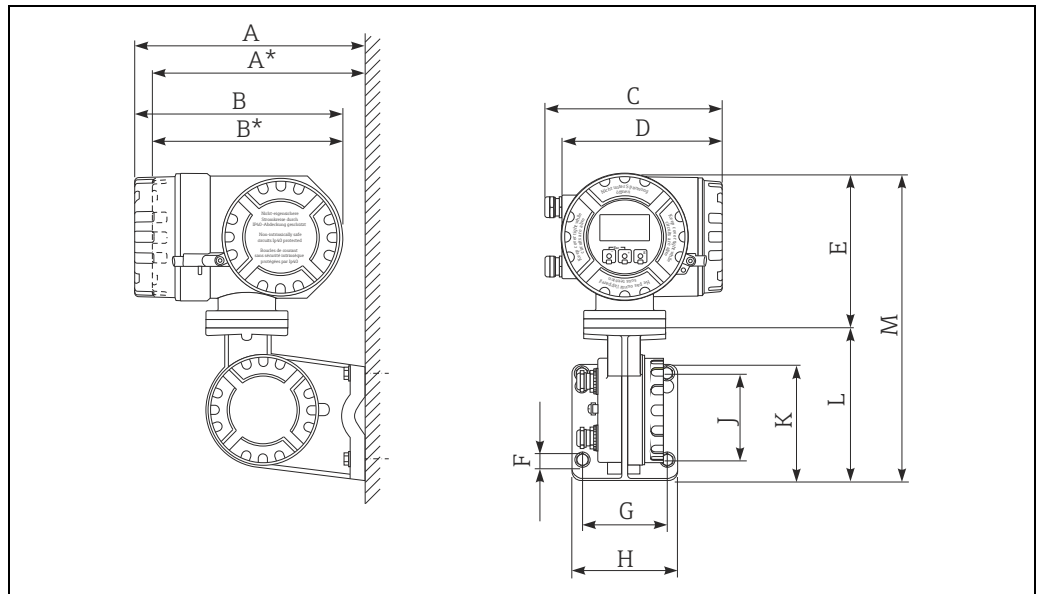


A0022059

Dimensions in SI and US units

A		A*		B		C		D	
[mm]	[in]	[mm]	[in]	[mm]	[in]	[mm]	[in]	[mm]	[in]
227	8.94	207	8.15	187	7.68	168	6.61	160	6.30

Transmitter remote version, connection housing (II2G/Zone 1)



a0002128

Dimensions in SI units

A	A*	B	B*	C	D	E	F Ø	G	H	J	K	L	M
265	242	240	217	206	186	178	8.6 (M8)	100	130	100	144	170	348

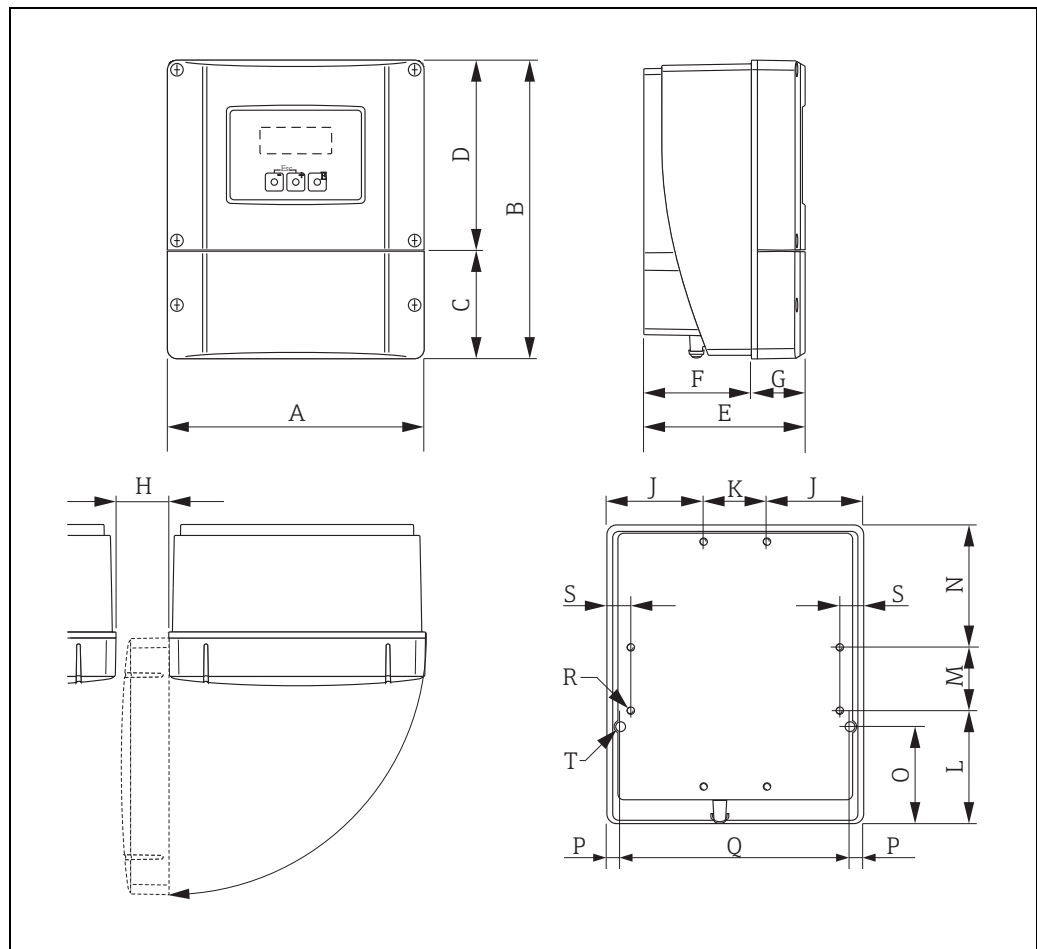
* Blind version (without display)
All dimensions in [mm]

Dimensions in US units

A	A*	B	B*	C	D	E	F Ø	G	H	J	K	L	M
10.4	9.53	9.45	8.54	8.11	7.32	7.01	0.34 (M8)	3.94	5.12	3.94	5.67	6.69	13.7

* Blind version (without display)
All dimensions in [in]

Transmitter remote version, wall-mount housing (non Ex-zone and II3G/Zone 2)



a0001150

Dimensions (SI units)

A	B	C	D	E	F	G	H	J	K
215	250	90.5	159.5	135	90	45	> 50	81	53
L	M	N	O	P	Q	R	S	T ¹⁾	
95	53	102	81.5	11.5	192	8 × M5	20	2 × Ø 6.5	

¹⁾ Securing screw for wall mounting: M6 (screw head max. 10.5 mm)

All dimensions in [mm]

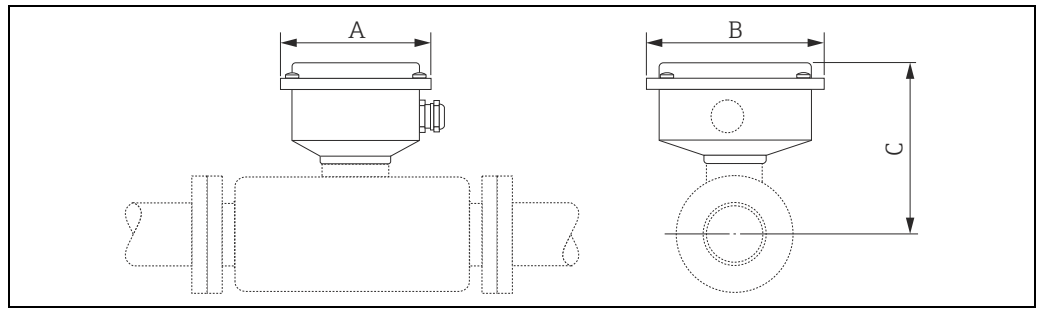
Dimensions (US units)

A	B	C	D	E	F	G	H	J	K
8.46	9.84	3.56	6.27	5.31	3.54	1.77	> 1.97	3.18	2.08
L	M	N	O	P	Q	R	S	T ¹⁾	
3.74	2.08	4.01	3.20	0.45	7.55	8 × M5	0.79	2 × Ø 0.26	

¹⁾ Securing screw for wall mounting: M6 (screw head max. 0.41")

All dimensions in [in]

Sensor remote version, connection housing



a0002516

Dimensions in SI units

DN	A	B	C
8	118.5	137.5	113
15	118.5	137.5	113
25	118.5	137.5	113
40	118.5	137.5	118
50	118.5	137.5	130
80	118.5	137.5	152
100	118.5	137.5	171
150	118.5	137.5	209
250	118.5	137.5	237

All dimensions in [mm]

Dimensions in US units

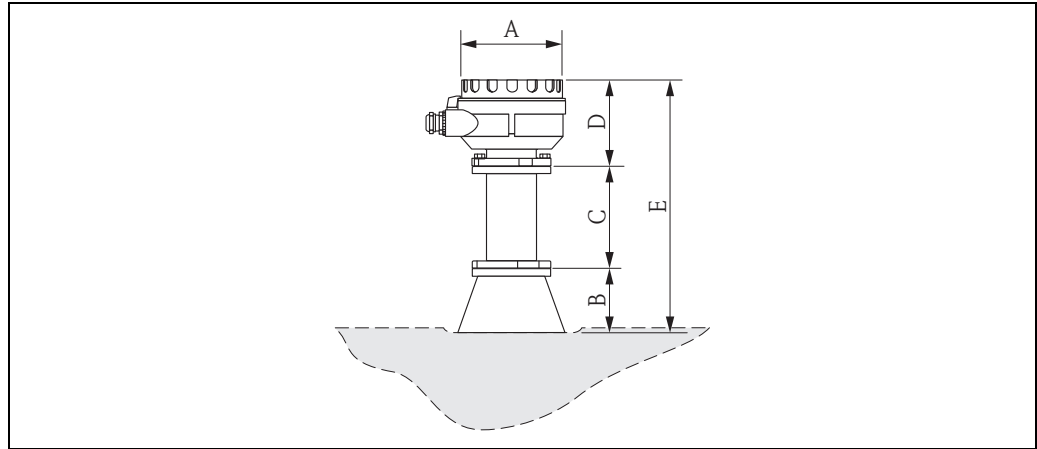
DN	A	B	C
3/8"	4.67	5.41	4.52
1/2"	4.67	5.41	4.52
1"	4.67	5.41	4.52
1 1/2"	4.67	5.41	4.72
2"	4.67	5.41	5.20
3"	4.67	5.41	6.08
4"	4.67	5.41	6.84
6"	4.67	5.41	8.36
10"	4.67	5.41	9.48

All dimensions in [in]

Sensor remote version, connection housing with an extended neck

Note!

Use this version in case of insulation or application of heating jacket.

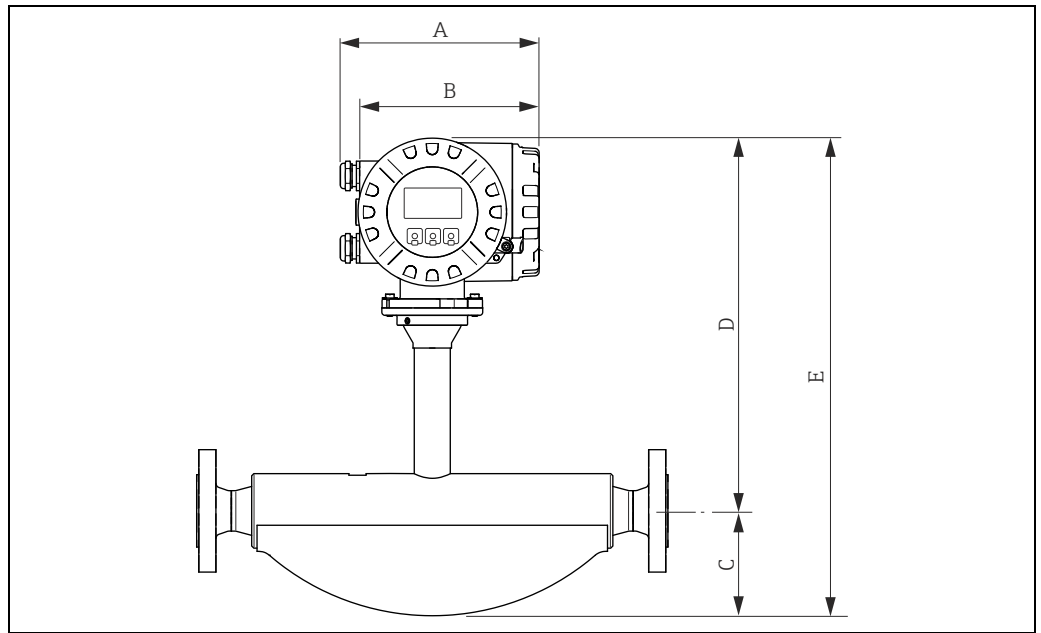


a0002517

Dimensions in SI and US units

A		B		C		D		E	
[mm]	[in]	[mm]	[in]	[mm]	[in]	[mm]	[in]	[mm]	[in]
129	5.08	80	3.15	110	4.33	102	4.02	292	11.5

High-temperature version (compact)



a0002518

Dimensions in SI units

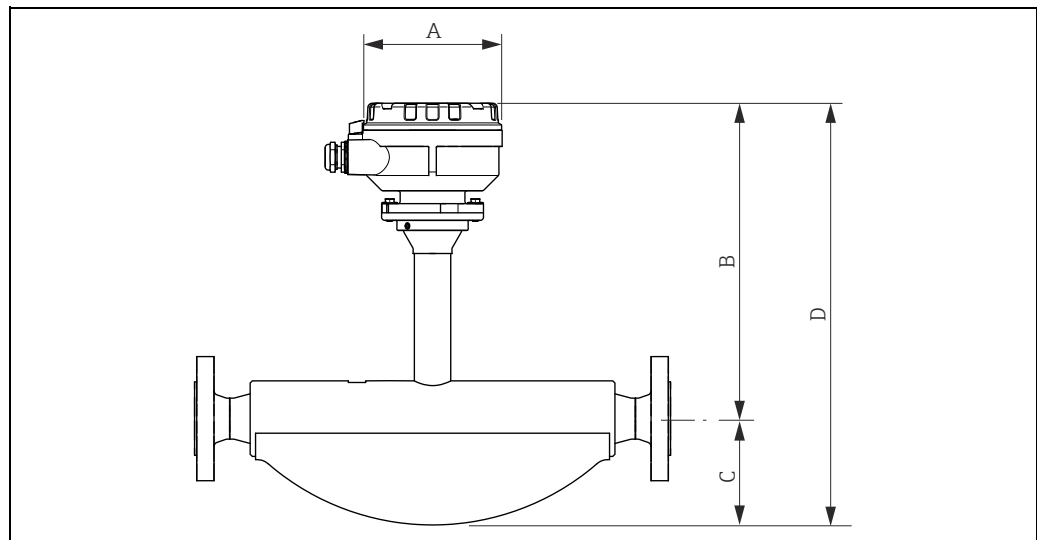
DN	A	B	C	D	E
25	187	168	100	350	450
50	187	168	141	365	506
80	187	168	200	385	585

All dimensions in [mm]

Dimensions in US units

DN	A	B	C	D	E
1"	7.36	6.61	3.94	13.78	17.72
2"	7.36	6.61	5.55	14.37	19.92
3"	7.36	6.61	7.87	15.16	23.03

All dimensions in [in]

High-temperature version (remote)*Dimensions in SI units*

DN	A	B	C	D
25	129	292	105	397
50	129	307	141	448
80	129	327	200	527

All dimensions in [mm]

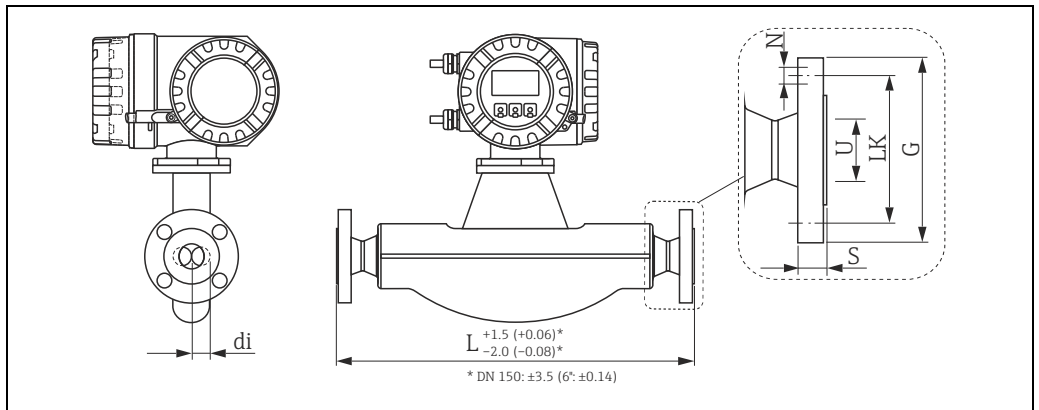
Dimensions in US units

DN	A	B	C	D
1"	5.08	11.50	4.13	15.63
2"	5.08	12.09	5.55	17.64
3"	5.08	12.87	7.87	20.75

All dimensions in [in]

Process connections in SI units

Flange connections EN (DIN), ASME B16.5, JIS



Dimension unit in mm (in)

Flange connections EN (DIN)

Flange according to EN 1092-1 (DIN 2501 / DIN 2512N ¹⁾) / PN 16: 1.4404 (F316/F316L)							
Surface roughness (flange): EN 1092-1 Form B1 (DIN 2526 Form C), Ra 3.2 to 12.5 µm							
DN	G	L	N	S	LK	U	di
100	220	1127/1400 ²⁾	8 × Ø18	20	180	107.1	51.20
150	285	1330/1700 ²⁾	8 × Ø22	22	240	159.3	68.90
250 ³⁾	405	1775	12 × Ø26	26	355	260.4	102.26

¹⁾ Flange with groove according to EN 1092-1 Form D (DIN 2512N) available

²⁾ Installation length in accordance with NAMUR recommendation NE 132 optionally available (order code for "Process connection", option D1N or D5N (with groove))

³⁾ Not available in Alloy

All dimensions in [mm]

Flange according to EN 1092-1 (DIN 2501 / DIN 2512N) extension-reduction / PN 16: 1.4404 (F316/F316L)							
Only for nominal diameter DN 250 (on request)							
Surface roughness (flange): Ra 0.8 to 3.2 µm							
DN	G	L	N	S	LK	U	di
150	285	1980	8 × Ø22	22	240	159.3	102.26
200	340	1940	12 × Ø22	24	295	207.3	102.26
300	460	1940	12 × Ø26	28	410	309.7	102.26

All dimensions in [mm]

Flange according to EN 1092-1 (DIN 2501 / DIN 2512N ¹⁾) / PN 40: 1.4404 (F316/F316L), Alloy C22							
Surface roughness (flange): EN 1092-1 Form B1 (DIN 2526 Form C), Ra 3.2 to 12.5 µm							
DN	G	L	N	S	LK	U	di
8 ²⁾	95	370/510 ³⁾	4 × Ø14	16	65	17.3	5.35
15	95	404/510 ³⁾	4 × Ø14	16	65	17.3	8.30
25	115	440/600 ³⁾	4 × Ø14	18	85	28.5	12.00
40	150	550	4 × Ø18	18	110	43.1	17.60

Flange according to EN 1092-1 (DIN 2501 / DIN 2512N ¹⁾) / PN 40: 1.4404 (F316/F316L), Alloy C22							
Surface roughness (flange): EN 1092-1 Form B1 (DIN 2526 Form C), Ra 3.2 to 12.5 µm							
DN	G	L	N	S	LK	U	di
50	165	715/715 ³⁾	4 × Ø18	20	125	54.5	26.00
80	200	840/915 ³⁾	8 × Ø18	24	160	82.5	40.50
100	235	1127	8 × Ø22	24	190	107.1	51.20
150	300	1370	8 × Ø26	28	250	159.3	68.90
250 ⁴⁾	450	1845	12 × Ø33	38	385	258.8	102.26

¹⁾ Flange with groove according to EN 1092-1 Form D (DIN 2512N) available

²⁾ DN 8 standard with DN 15 flange

³⁾ Installation length in accordance with NAMUR recommendation NE 132 optionally available (order code for "Process connection", option D2N or D6N (with groove))

⁴⁾ Not available in Alloy

All dimensions in [mm]

Flange according to EN 1092-1 (DIN 2501) / PN 40 (with DN 25-Flanges): 1.4404 (F316/F316L)							
Surface roughness (flange): EN 1092-1 Form B1 (DIN 2526 Form C), Ra 3.2 to 12.5 µm							
DN	G	L	N	S	LK	U	di
8	115	440	4 × Ø14	18	85	28.5	5.35
15	115	440	4 × Ø14	18	85	28.5	8.30

All dimensions in [mm]

Flange according to EN 1092-1 (DIN 2501 / DIN 2512N) extension-reduction / PN 40: 1.4404 (F316/F316L)							
Only for nominal diameter DN 250 (on request)							
Surface roughness (flange): Ra 0.8 to 3.2 µm							
DN	G	L	N	S	LK	U	di
150	300	1980	8 × Ø26	28	250	159.3	102.26
200	375	1940	12 × Ø30	34	320	206.5	102.26
300	515	1940	16 × Ø33	42	450	307.9	102.26

All dimensions in [mm]

Flange according to EN 1092-1 (DIN 2501 / DIN 2512N ¹⁾) / PN 63: 1.4404 (F316/F316L), Alloy C22							
Surface roughness (flange): EN 1092-1 Form B2 (DIN 2526 Form E), Ra 0.8 to 3.2 µm							
DN	G	L	N	S	LK	U	di
50	180	724	4 × Ø22	26	135	54.5	26.00
80	215	875	8 × Ø22	28	170	81.7	40.50
100	250	1127	8 × Ø26	30	200	106.3	51.20
150	345	1410	8 × Ø33	36	280	157.1	68.90
250 ²⁾	470	1885	12 × Ø36	46	400	255.4	102.26

¹⁾ Flange with groove according to EN 1092-1 Form D (DIN 2512N) available

²⁾ Not available in Alloy

All dimensions in [mm]

Flange EN 1092-1 (DIN 2501 / DIN 2512N ¹⁾) / PN 100: 1.4404 (F316/F316L), Alloy C22							
Surface roughness (flange): EN 1092-1 Form B2 (DIN 2526 Form E), Ra 0.8 to 3.2 µm							
DN	G	L	N	S	LK	U	di
8 ²⁾	105	400	4 × Ø14	20	75	17.3	5.35
15	105	420	4 × Ø14	20	75	17.3	8.30
25	140	470	4 × Ø18	24	100	28.5	12.00
40	170	590	4 × Ø22	26	125	42.5	17.60
50	195	740	4 × Ø26	28	145	53.9	26.00
80	230	885	8 × Ø26	32	180	80.9	40.50
100	265	1127	8 × Ø30	36	210	104.3	51.20
150	355	1450	12 × Ø33	44	290	154.0	68.90

¹⁾ Flange with groove according to EN 1092-1 Form D (DIN 2512N) available

²⁾ DN 8 standard with DN 15 flange

All dimensions in [mm]

Flange connections ASME B16.5

Flange according to ASME B16.5 / CI 150: 1.4404 (F316/F316L), Alloy C22							
Surface roughness (flange): Ra 3.2 to 6.3 µm							
DN	G	L	N	S	LK	U	di
8 ²⁾	90	370	4 × Ø15.7	11.2	60.3	15.7	5.35
15	90	404	4 × Ø15.7	11.2	60.4	15.7	8.30
25	110	440	4 × Ø15.7	14.2	79.4	26.7	12.00
40	125	550	4 × Ø15.7	17.5	98.4	40.9	17.60
50	150	715	4 × Ø19.1	19.1	120.7	52.6	26.00
80	190	840	4 × Ø19.1	23.9	152.4	78.0	40.50
100	230	1127	8 × Ø19.1	23.9	190.5	102.4	51.20
150	280	1398	8 × Ø22.4	25.4	241.3	154.2	68.90
250 ¹⁾	405	1832	12 × Ø25.4	30.2	362	254.5	102.26

¹⁾ Not available in Alloy

²⁾ DN 8 standard with DN 15 flange

All dimensions in [mm]

Flange according to ASME B16.5 extension-reduction / CI 150: 1.4404 (F316/F316L)							
Only for nominal diameter DN 250 /10" (auf Anfrage)							
Surface roughness (flange): Ra 3.2 to 6.3 µm							
DN	G	L	N	S	LK	U	di
150	279.4	1980	8 × Ø22.4	25.4	241.3	154.2	102.26
200	342.9	1940	8 × Ø22.4	28.4	298.5	202.7	102.26
300	482.6	1940	12 × Ø25.4	31.8	431.8	304.80	102.26

All dimensions in [mm]

Flange according to ASME B16.5 / Cl 300: 1.4404 (F316/F316L), Alloy C22							
Surface roughness (flange): Ra 3.2 to 6.3 µm							
DN	G	L	N	S	LK	U	di
8 ²⁾	95	370	4 × Ø15.7	14.2	66.7	15.7	5.35
15	95	404	4 × Ø15.7	14.2	66.7	15.7	8.30
25	125	440	4 × Ø19.0	17.5	88.9	26.7	12.00
40	155	550	4 × Ø22.3	20.6	114.3	40.9	17.60
50	165	715	8 × Ø19.0	22.3	127	52.6	26.00
80	210	840	8 × Ø22.3	28.4	168.3	78.0	40.50
100	255	1127	8 × Ø22.3	31.7	200	102.4	51.20
150	320	1417	12 × Ø22.3	36.5	269.9	154.2	68.90
250 ¹⁾	445	1863	16 × Ø28.4	47.4	387.4	254.5	102.26

¹⁾ Not available in Alloy

²⁾ DN 8 standard with DN 15 flange

All dimensions in [mm]

Flange according to ASME B16.5 extension-reduction / Cl 300: 1.4404 (F316/F316L)							
Only for nominal diameter DN 250 /10" (auf Anfrage)							
Surface roughness (flange): Ra 3.2 to 6.3 µm							
DN	G	L	N	S	LK	U	di
150	317.5	1980	12 × Ø22.4	36.5	269.7	154.2	102.26
200	381.0	1940	12 × Ø25.4	41.1	330.2	202.7	102.26
300	520.7	1940	16 × Ø31.7	50.8	450.8	304.80	102.26

All dimensions in [mm]

Flange according to ASME B16.5 / Cl 600: 1.4404 (F316/F316L), Alloy C22							
Surface roughness (flange): Ra 3.2 to 6.3 µm							
DN	G	L	N	S	LK	U	di
8 ²⁾	95	400	4 × Ø15.7	20.6	66.7	13.9	5.35
15	95	420	4 × Ø15.7	20.6	66.7	13.9	8.30
25	125	490	4 × Ø19.1	23.9	88.9	24.3	12.00
40	155	600	4 × Ø22.4	28.7	114.3	38.1	17.60
50	165	742	8 × Ø19.1	31.8	127	49.2	26.00
80	210	900	8 × Ø22.4	38.2	168.3	73.7	40.50
100	275	1157	8 × Ø25.4	48.4	215.9	97.3	51.20
150	355	1467	12 × Ø28.4	47.8	292.1	154.2	68.90
250 ¹⁾	510	1946	16 × Ø35.1	69.9	431.8	254.5	102.26

¹⁾ Not available in Alloy

²⁾ DN 8 standard with DN 15 flange

All dimensions in [mm]

Flange according to ASME B16.5 extension-reduction / Cl 600: 1.4404 (F316/F316L)							
Only for nominal diameter DN 250 /10" (auf Anfrage)							
Surface roughness (flange): Ra 3.2 to 6.3 µm							
DN	G	L	N	S	LK	U	di
150	355.6	1980	12 × Ø28.4	54.2	292.1	154.2	102.26
200	419.1	1940	12 × Ø31.8	62.0	349.3	202.7	102.26

All dimensions in [mm]

Flange connections JIS B2220

Flange JIS B2220 / 10K: 1.4404 (F316/F316L), Alloy C22							
Surface roughness (flange): Ra 3.2 to 6.3 µm							
DN	G	L	N	S	LK	U	di
50	155	715	4 × Ø19	16	120	50	26.00
80	185	832	8 × Ø19	18	150	80	40.50
100	210	1127	8 × Ø19	18	175	100	51.20
150	280	1354	8 × Ø23	22	240	150	68.90
250 ¹⁾	400	1775	12 × Ø25	24	355	250	102.26

¹⁾ Not available in Alloy
All dimensions in [mm]

Flange JIS B2220 extension-reduction / 10K: 1.4404 (F316/F316L)							
Only for nominal diameter DN 250 (on request)							
Surface roughness (flange): Ra 1.6 to 3.2 µm							
DN	G	L	N	S	LK	U	di
150	280	1980	8 × Ø23	22	240	150	102.26
200	330	1940	12 × Ø23	22	290	200	102.26
300	445	1940	16 × Ø25	24	400	300	102.26

All dimensions in [mm]

Flange JIS B2220 / 20K: 1.4404 (F316/F316L), Alloy C22							
Surface roughness (flange): Ra 1.6 to 3.2 µm							
DN	G	L	N	S	LK	U	di
8 ²⁾	95	370	4 × Ø15	14	70	15	5.35
15	95	404	4 × Ø15	14	70	15	8.30
25	125	440	4 × Ø19	16	90	25	12.00
40	140	550	4 × Ø19	18	105	40	17.60
50	155	715	8 × Ø19	18	120	50	26.00
80	200	832	8 × Ø23	22	160	80	40.50
100	225	1128	8 × Ø23	24	185	100	51.20
150	305	1386	12 × Ø25	28	260	150	68.90
250 ¹⁾	430	1850	12 × Ø27	34	380	250	102.26

¹⁾ Not available in Alloy

²⁾ DN 8 standard with DN 15 flange

All dimensions in [mm]

Flange JIS B2220 extension-reduction / 20K: 1.4404 (F316/F316L)							
Only for nominal diameter DN 250 (on request)							
Surface roughness (flange): Ra 1.6 to 3.2 µm							
DN	G	L	N	S	LK	U	di
150	305	1980	12 × Ø25	28	260	150	102.26
200	350	1940	12 × Ø25	30	305	200	102.26
300	480	1940	16 × Ø27	36	430	300	102.26

All dimensions in [mm]

Flange JIS B2220 / 40K: 1.4404 (F316/F316L), Alloy C22							
Surface roughness (flange): Ra 1.6 to 3.2 µm							
DN	G	L	N	S	LK	U	di
8 ¹⁾	115	400	4 × Ø19	20	80	15	5.35
15	115	425	4 × Ø19	20	80	15	8.30
25	130	485	4 × Ø19	22	95	25	12.00
40	160	600	4 × Ø23	24	120	38	17.60
50	165	760	8 × Ø19	26	130	50	26.00
80	210	890	8 × Ø23	32	170	75	40.50
100	250	1167	8 × Ø25	36	205	100	51.20
150	355	1498	12 × Ø33	44	295	150	68.90

All dimensions in [mm]

¹⁾ DN 8 standard with DN 15 flange

Flange JIS B2220 / 63K: 1.4404 (F316/F316L), Alloy C22							
Surface roughness (flange): Ra 1.6 to 3.2 µm							
DN	G	L	N	S	LK	U	di
8 ¹⁾	120	420	4 × Ø19	23	85	12	5.35
15	120	440	4 × Ø19	23	85	12	8.30

Flange JIS B2220 / 63K: 1.4404 (F316/F316L), Alloy C22

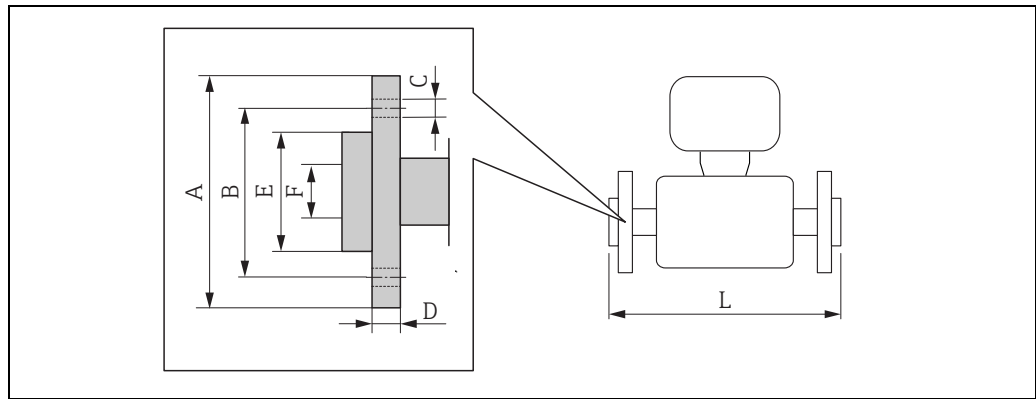
Surface roughness (flange): Ra 1.6 to 3.2 µm

DN	G	L	N	S	LK	U	di
25	140	494	4 × Ø23	27	100	22	12.00
40	175	620	4 × Ø25	32	130	35	17.60
50	185	775	8 × Ø23	34	145	48	26.00
80	230	915	8 × Ø25	40	185	73	40.50
100	270	1167	8 × Ø27	44	220	98	51.20
150	365	1528	12 × Ø33	54	305	146	68.90

All dimensions in [mm]

¹⁾ DN 8 standard with DN 15 flange

Lap joint flange EN (DIN), ASME B16.5, JIS



Measuring unit: mm (in)

Lap joint flange EN (DIN)

Lap joint flange according to EN 1092-1 (DIN 2501/DIN 2512N) PN 40: 1.4301 (F304) (order code "Process connection", option DAC); wetted parts: Alloy C22 Surface roughness (flange): Ra 3.2 to 12.5 µm								
DN	A	B	C	D	E	F	L	L _{diff} ¹⁾
8 ²⁾	95	65	4 × Ø14	14.5	45	17.3	370	0
15	95	65	4 × Ø14	14.5	45	17.3	404	0
25	115	85	4 × Ø14	16.5	68	28.5	444	+4
40	150	110	4 × Ø18	21	88	41.3	560	+10
50	165	125	4 × Ø18	23	102	54.5	719	+4
80	200	160	8 × Ø18	29	138	82.5	848	+8
100	235	190	8 × Ø22	34	162	107.1	1131	+4

¹⁾ Difference to the installation length of the welding neck flange (order code "Process connection", option D2C)

²⁾ DN 8 standard with DN 15 flange

All dimensions in [mm]

Lap joint flange ASME B16.6

Lap joint flange according to ASME B16.5 Cl 150: 1.4301 (F304) (order code "Process connection", option ADC); wetted parts: Alloy C22 Surface roughness (flange): Ra 3.2 to 12.5 µm								
DN	A	B	C	D	E	F	L	L _{diff} ¹⁾
8 ²⁾	90	60.3	4 × Ø15.7	15.0	35.1	15.7	370	0
15	90	60.3	4 × Ø15.7	15.0	35.1	15.7	404	0
25	110	79.4	4 × Ø15.7	16.0	50.8	26.7	440	0
40	125	98.4	4 × Ø15.7	15.9	73.2	40.9	550	0
50	150	120.7	4 × Ø19.1	19.0	91.9	52.6	715	0
80	190	152.4	8 × Ø19.1	22.3	127.0	78.0	840	0
100	230	190.5	8 × Ø19.1	26.0	157.2	102.4	1127	0

¹⁾ Difference to the installation length of the welding neck flange (order code "Process connection", option AAC)

²⁾ DN 8 standard with DN 15 flange

All dimensions in [mm]

Lap joint flange according to ASME B16.5 CI 300: 1.4301 (F304) (order code "Process connection", option AEC); wetted parts: Alloy C22 Surface roughness (flange): Ra 3.2 to 12.5 µm								
DN	A	B	C	D	E	F	L	L _{diff} ¹⁾
8 ²⁾	95	66.7	4 × Ø15.7	16.5	35.1	15.7	376	+6
15	95	66.7	4 × Ø15.7	16.5	35.1	15.7	406	+2
25	125	88.9	4 × Ø19.1	21.0	50.8	26.7	450	+10
40	155	114.3	4 × Ø22.3	23.0	73.2	40.9	564	+14
50	165	127	8 × Ø19.1	25.5	91.9	52.6	717	+2
80	210	168.3	8 × Ø22.3	31.0	127.0	78.0	852.6	+12.6
100	255	200	8 × Ø22.3	32.0	157.2	102.4	1139	+12

¹⁾ Difference to the installation length of the welding neck flange (order code "Process connection", option ABC)

²⁾ DN 8 standard with DN 15 flange

All dimensions in [mm]

Lap joint flange according to ASME B16.5 CI 600: 1.4301 (F304) (order code "Process connection", option AFC); wetted parts: Alloy C22 Surface roughness (flange): Ra 3.2 to 12.5 µm								
DN	A	B	C	D	E	F	L	L _{diff} ¹⁾
8 ²⁾	95	66.7	4 × Ø15.7	17.0	35.1	13.9	400	0
15	95	66.7	4 × Ø15.7	17.0	35.1	13.9	420	0
25	125	88.9	4 × Ø19.1	21.5	50.8	24.3	490	0
40	155	114.3	4 × Ø22.3	25.0	73.2	38.1	600	0
50	165	127	4 × Ø19.1	28.0	91.9	49.2	742	0
80	210	168.3	8 × Ø22.3	35.0	127.0	73.7	900	0
100	275	215.9	8 × Ø25.4	44.0	157.2	97.3	1167	+10

¹⁾ Difference to the installation length of the welding neck flange (order code "Process connection", option ACC)

²⁾ DN 8 standard with DN 15 flange

All dimensions in [mm]

Lap joint flange JIS

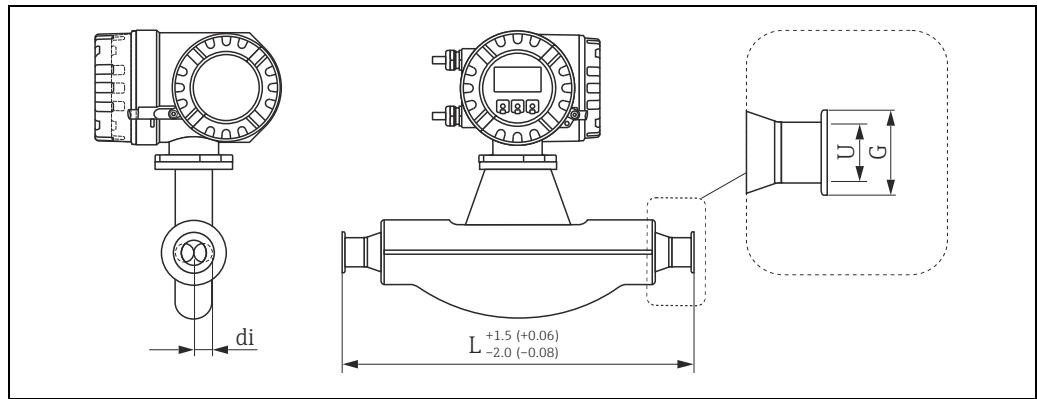
Lap joint flange JIS B2220 20K: 1.4301 (F304) (order code "Process connection", option NIC); wetted parts: Alloy C22 Surface roughness (flange): Ra 3.2 to 12.5 µm								
DN	A	B	C	D	E	F	L	L _{diff} ¹⁾
8 ²⁾	95	70	4 × Ø15	14.0	51	15	370	0
15	95	70	4 × Ø15	14.0	51	15	404	0
25	125	90	4 × Ø19	18.5	67	25	440	0
40	140	105	4 × Ø19	18.5	81	40	550	0
50	155	120	8 × Ø19	23.0	96	50	715	0
80	200	160	8 × Ø23	29.0	132	80	844	+12
100	225	185	8 × Ø23	29.0	160	100	1127	+0

¹⁾ Difference to the installation length of the welding neck flange (order code "Process connection", option NEC)

²⁾ DN 8 standard with DN 15 flange

All dimensions in [mm]

Tri-Clamp



Dimension unit in mm (in)

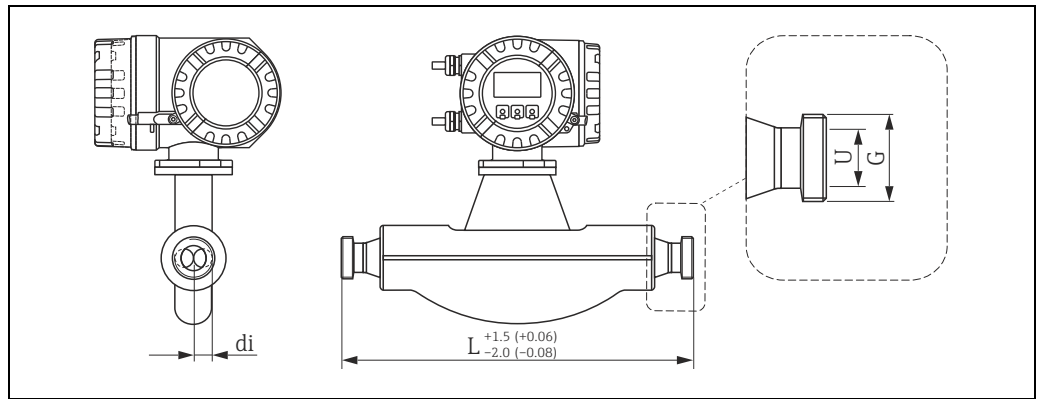
Tri-Clamp: 1.4404 (316/316L)					
DN	Clamp	G	L	U	di
8	1"	50.4	367	22.1	5.35
15	1"	50.4	398	22.1	8.30
25	1"	50.4	434	22.1	12.00
40	1½"	50.4	560	34.8	17.60
50	2"	63.9	720	47.5	26.00
80	3"	90.9	900	72.9	40.50
100	4"	118.9	1127	97.4	51.20

3A version also available (Ra ≤ 0.8 µm/150 grit, option: Ra ≤ 0.4 µm/240 grit)
 All dimensions in [mm]

½"-Tri-Clamp: 1.4404 (316/316L)					
DN	Clamp	G	L	U	di
8	½"	25.0	367	9.5	5.35
15	½"	25.0	398	9.5	8.30

3A version also available (Ra ≤ 0.8 µm/150 grit, option: Ra ≤ 0.4 µm/240 grit)
 All dimensions in [mm]

DIN 11851 (threaded hygienic connection)

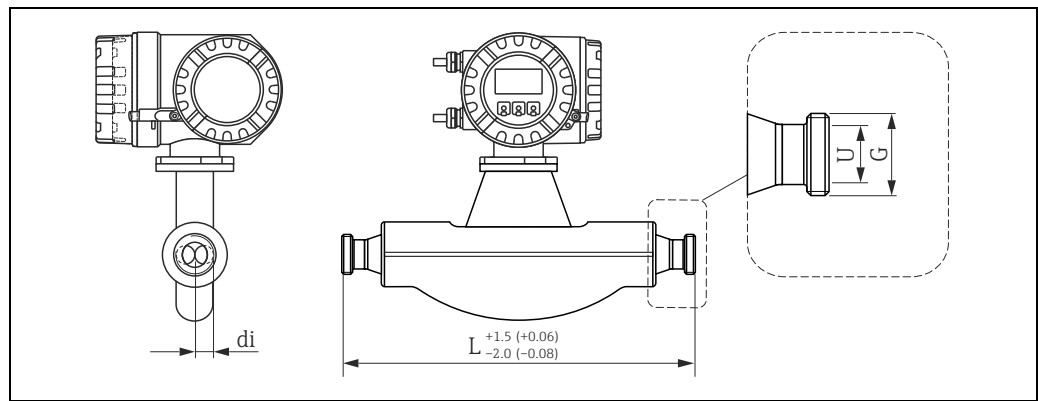


Dimension unit in mm (in)

Threaded hygienic connection DIN 11851: 1.4404 (316/316L)				
DN	G	L	U	di
8	Rd 34 × 1/8"	367	16	5.35
15	Rd 34 × 1/8"	398	16	8.30
25	Rd 52 × 1/6"	434	26	12.00
40	Rd 65 × 1/6"	560	38	17.60
50	Rd 78 × 1/6"	720	50	26.00
80	Rd 110 × 1/4"	900	81	40.50
100	Rd 130 × 1/4"	1127	100	51.20

3A version also available (Ra ≤ 0.8 µm/150 grit)
All dimensions in [mm]

DIN 11864-1 Form A (aseptic threaded connection)



A0022591

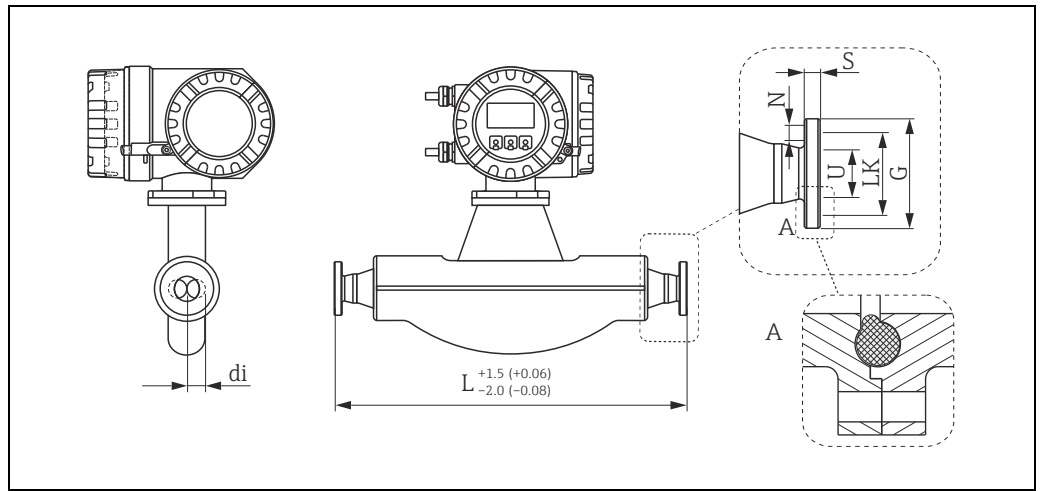
Dimension unit in mm (in)

Aseptic threaded connection DIN 11864-1 Form A: 1.4404 (316/316L)				
DN	G	L	U	di
8	Rd 28 × 1/8"	367	10	5.35
15	Rd 34 × 1/8"	398	16	8.30
25	Rd 52 × 1/6"	434	26	12.00
40	Rd 65 × 1/6"	560	38	17.60
50	Rd 78 × 1/6"	720	50	26.00
80	Rd 110 × 1/4"	900	81	40.50
100	Rd 130 × 1/4"	1127	100	51.20

3A version also available (Ra ≤ 0.8 μm/150 grit)

All dimensions in [mm]

DIN 11864-2 Form A (aseptic flat flange with groove)



Detail A: The flange has the smaller groove for the O-ring on the sensor side. When mounting the sensor the corresponding flange must have accordingly a larger groove.

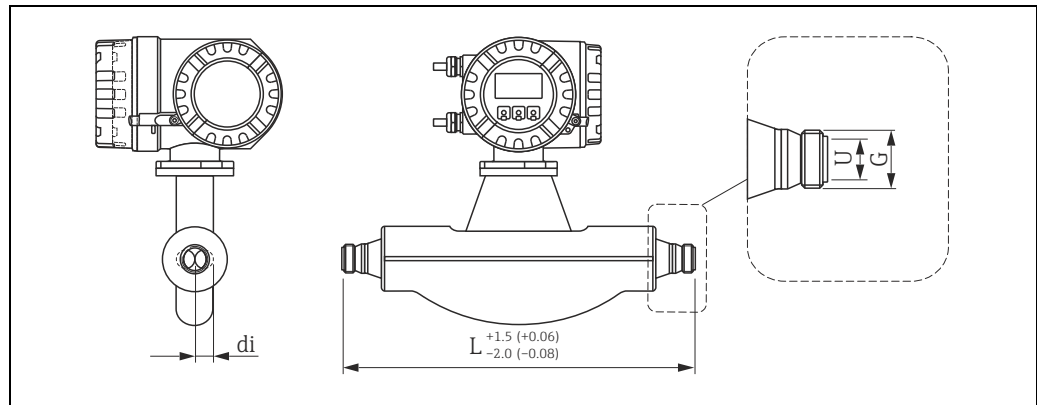
Dimension unit in mm (in)

DIN 11864-2 Form A (aseptic flat flange with groove): 1.4404 (316/316L)							
DN	G	L	N	S	LK	U	di
8	54	387	4 × Ø9	10	37	10	5.35
15	59	418	4 × Ø9	10	42	16	8.30
25	70	454	4 × Ø9	10	53	26	12.00
40	82	560	4 × Ø9	10	65	38	17.60
50	94	720	4 × Ø9	10	77	50	26.00
80	133	900	8 × Ø11	12	112	81	40.50
100	159	1127	8 × Ø11	14	137	100	51.20

3A version also available (Ra ≤ 0.8 µm/150 grit, option: Ra ≤ 0.4 µm/240 grit)

All dimensions in [mm]

ISO 2853 (threaded hygienic connection)



Dimension unit in mm (in)

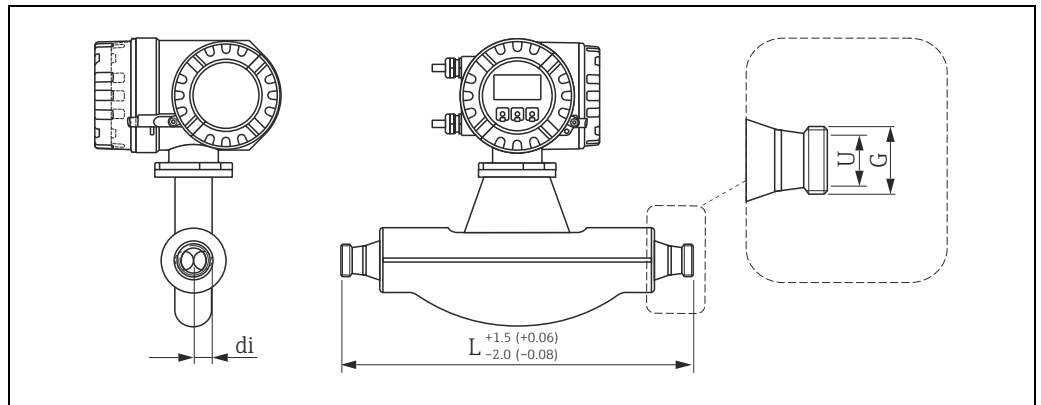
Threaded hygienic connection ISO 2853: 1.4404 (316/316L)				
DN	G ¹⁾	L	U	di
8	37.13	367	22.6	5.35
15	37.13	398	22.6	8.30
25	37.13	434	22.6	12.00
40	52.68	560	35.6	17.60
50	64.16	720	48.6	26.00
80	91.19	900	72.9	40.50
100	118.21	1127	97.6	51.20

¹⁾ Max. thread diameter to ISO 2853 Annex A

3A version also available (Ra ≤ 0.8 µm/150 grit, option: Ra ≤ 0.4 µm/240 grit)

All dimensions in [mm]

SMS 1145 (threaded hygienic connection)



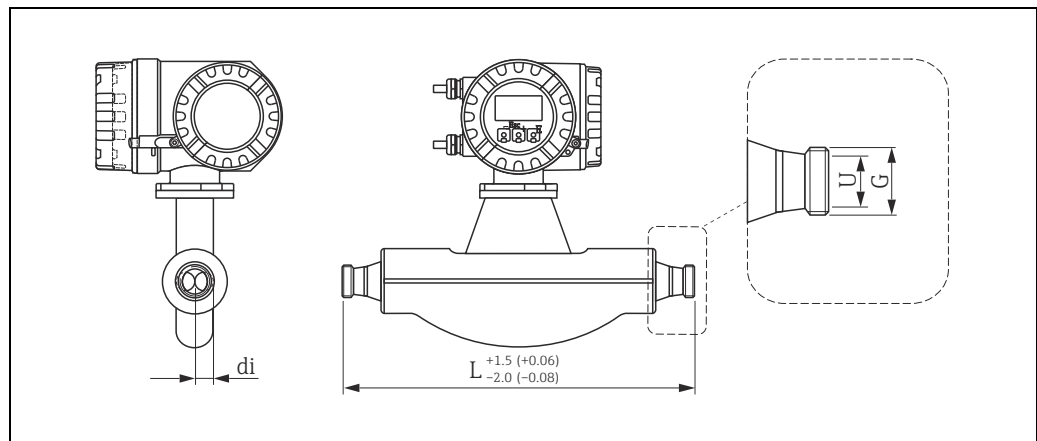
A0022588

Dimension unit in mm (in)

Threaded hygienic connections SMS 1145: 1.4404 (316/316L)				
DN	G	L	U	di
8	Rd 40 x 1/6"	367	22.6	5.35
15	Rd 40 x 1/6"	398	22.6	8.30
25	Rd 40 x 1/6"	434	22.6	12.00
40	Rd 60 x 1/6"	560	35.6	17.60
50	Rd 70 x 1/6"	720	48.6	26.00
80	Rd 98 x 1/6"	900	72.9	40.50
100	Rd 132 x 1/6"	1127	97.6	51.20

3A version also available (Ra ≤ 0.8 µm/150 grit, option: Ra ≤ 0.4 µm/240 grit)
 All dimensions in [mm]

VCO connections



A002257

Dimension unit in mm (in)

8-VCO-4 (1/2"): 1.4404 (316/316L)				
DN	G	L	U	di
8	AF 1"	390	10.2	5.35

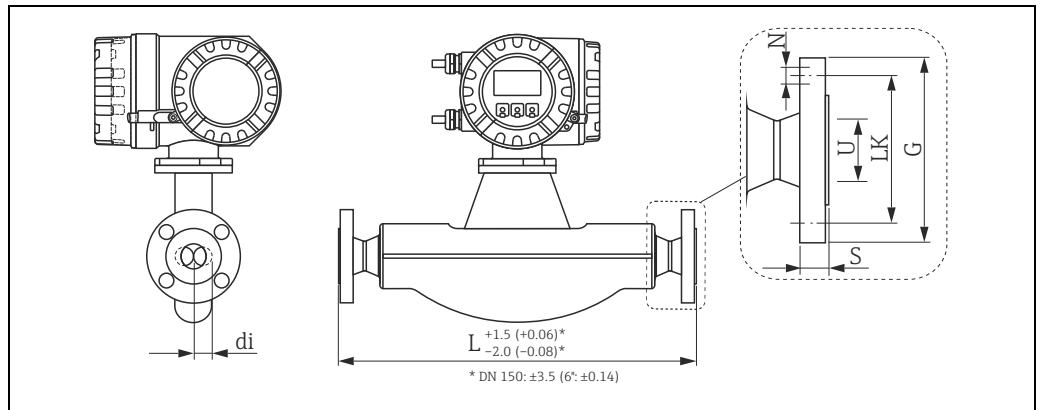
All dimensions in [mm]

12-VCO-4 (3/4"): 1.4404 (316/316L)				
DN	G	L	U	di
15	AF 1 1/2"	430	15.7	8.30

All dimensions in [mm]

Process connections in US units

Flange connections ASME B16.5



Dimension unit in mm (in)

Flange according to ASME B16.5 / CI 150: 1.4404 (F316/F316L), Alloy C22							
Surface roughness (flange): Ra 3.2 to 6.3 µm							
DN	G	L	N	S	LK	U	di
3/8" ²⁾	3.54	14.57	4 × Ø0.62	0.44	2.37	0.62	0.21
1/2"	3.54	15.91	4 × Ø0.62	0.44	2.37	0.62	0.33
1"	4.33	17.32	4 × Ø0.62	0.56	3.13	1.05	0.47
1 1/2"	4.92	21.65	4 × Ø0.62	0.69	3.87	1.61	0.69
2"	5.91	28.15	4 × Ø0.75	0.75	4.75	2.07	1.02
3"	7.48	33.07	4 × Ø0.75	0.94	6	3.07	1.59
4"	9.06	44.37	8 × Ø0.75	0.94	7.5	4.03	2.01
6"	11.02	55.04	8 × Ø0.88	1	9.5	6.07	2.71
10" ¹⁾	15.94	72.13	12 × Ø1.0	1.19	14.25	10.02	4.03

¹⁾ Not available in Alloy

²⁾ DN 3/8" standard with DN 1/2" flange

All dimensions in [in]

Flange according to ASME B16.5 extension-reduction / CI 150: 1.4404 (F316/F316L)							
Only for nominal diameter DN 250 /10" (on request)							
Surface roughness (flange): Ra 3.2 to 6.3 µm							
DN	G	L	N	S	LK	U	di
6"	11	77.95	8 × Ø22.4	1	9.5	6.07	4.03
8"	13.5	76.38	8 × Ø22.4	1.12	11.75	7.98	4.03
12"	19	76.38	12 × Ø25.4	1.25	17	12.00	4.03

All dimensions in [in]

Flange according to ASME B16.5 / Cl 300: 1.4404 (F316/F316L), Alloy C22							
Surface roughness (flange): Ra 3.2 to 6.3 µm							
DN	G	L	N	S	LK	U	di
$\frac{3}{8}$ " ²⁾	3.74	14.57	4 × Ø0.62	0.56	2.63	0.62	0.21
$\frac{1}{2}$ "	3.74	15.91	4 × Ø0.62	0.56	2.63	0.62	0.33
1"	4.92	17.32	4 × Ø0.75	0.69	3.5	1.05	0.47
1½"	6.12	21.65	4 × Ø0.88	0.81	4.5	1.61	0.69
2"	6.5	28.15	8 × Ø0.75	0.88	5	2.07	1.02
3"	8.27	33.07	8 × Ø0.88	1.12	6.63	3.07	1.59
4"	10.04	44.37	8 × Ø0.88	1.25	7.87	4.03	2.02
6"	12.6	55.79	12 × Ø0.88	1.44	10.63	6.07	2.71
10" ¹⁾	17.52	73.35	16 × Ø1.12	1.87	15.25	10.02	4.03

¹⁾ Not available in Alloy

²⁾ DN $\frac{3}{8}$ " standard with DN $\frac{1}{2}$ " flange

All dimensions in [in]

Flange according to ASME B16.5 extension-reduction / Cl 300: 1.4404 (F316/F316L)							
Only for nominal diameter DN 250 /10" (on request)							
Surface roughness (flange): Ra 3.2 to 6.3 µm							
DN	G	L	N	S	LK	U	di
6"	12.5	78.0	12 × Ø0.88	1.44	10.6	6.07	4.03
8"	15.0	76.4	12 × Ø1.00	1.62	13.0	7.98	4.03
12"	20.5	76.4	16 × Ø1.25	2.00	17.7	12.0	4.03

All dimensions in [in]

Flange according to ASME B16.5 / Cl 600: 1.4404 (F316/F316L), Alloy C22							
Surface roughness (flange): Ra 3.2 to 6.3 µm							
DN	G	L	N	S	LK	U	di
$\frac{3}{8}$ " ²⁾	3.74	15.75	4 × Ø0.62	0.81	2.63	0.55	0.21
$\frac{1}{2}$ "	3.74	16.54	4 × Ø0.62	0.81	2.63	0.55	0.33
1"	4.92	19.29	4 × Ø0.75	0.94	3.5	0.96	0.47
1½"	6.1	23.62	4 × Ø0.88	1.13	4.5	1.5	0.69
2"	6.5	29.21	8 × Ø0.75	1.25	5	1.94	1.02
3"	8.27	35.43	8 × Ø0.88	1.5	6.63	2.90	1.59
4"	10.83	45.55	8 × Ø1.00	1.91	8.5	3.83	2.02
6"	13.98	57.76	12 × Ø1.12	1.88	11.5	6.07	2.71
10" ¹⁾	20.08	76.61	16 × Ø1.38	2.75	17	10.02	4.03

¹⁾ Not available in Alloy

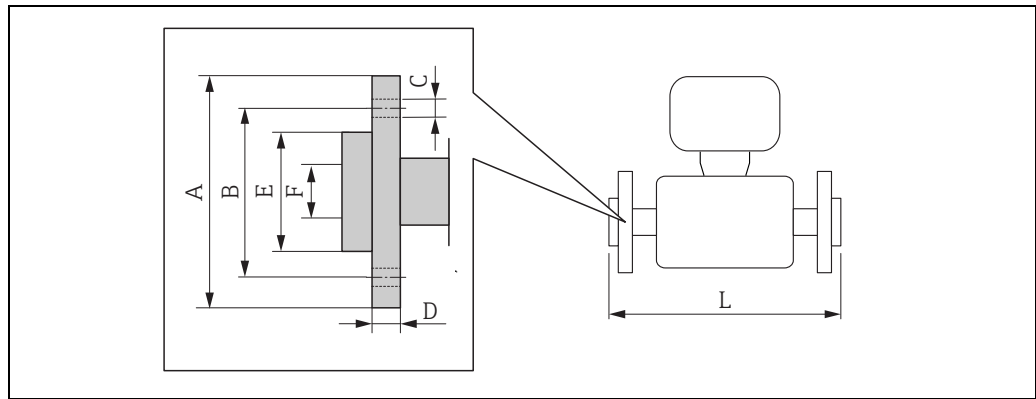
²⁾ DN $\frac{3}{8}$ " standard with DN $\frac{1}{2}$ " flange

All dimensions in [in]

Flange according to ASME B16.5 extension-reduction / Cl 600: 1.4404 (F316/F316L) Only for nominal diameter DN 250 /10" (on request) Surface roughness (flange): Ra 3.2 to 6.3 µm							
DN	G	L	N	S	LK	U	di
6"	14.0	78.0	12 × Ø1.12	2.13	11.5	6.07	4.03
8"	16.5	76.4	12 × Ø1.25	2.44	13.7	7.98	4.03

All dimensions in [in]

Lap joint flange ASME B16.5



A0029372

Measuring unit: mm (in)

Lap joint flange according to ASME B16.5								
Cl 150: 1.4301 (F304) (order code "Process connection", option ADC); wetted parts: Alloy C22								
Surface roughness (flange): Ra 3.2 to 12.5 µm								
DN	A	B	C	D	E	F	L	L _{diff} ¹⁾
3/8" ²⁾	3.54	2.37	4 × Ø0.62	0.59	1.38	0.62	14.57	0
1/2"	3.54	2.37	4 × Ø0.62	0.59	1.38	0.62	15.91	0
1"	4.33	3.13	4 × Ø0.62	0.63	2	1.05	17.32	0
1 1/2"	4.92	3.87	4 × Ø0.62	0.63	2.88	1.61	21.65	0
2"	5.91	4.75	4 × Ø0.75	0.75	3.62	2.07	28.15	0
3"	7.48	6	8 × Ø0.75	0.88	5	3.07	33.07	0
4"	9.06	7.5	8 × Ø0.75	1.02	6.19	4.03	44.37	0

¹⁾ Difference to the installation length of the welding neck flange (order code "Process connection", option AAC)

²⁾ DN 3/8" standard with DN 1/2" flange

All dimensions in [in]

Lap joint flange according to ASME B16.5								
Cl 300: 1.4301 (F304) (order code "Process connection", option AEC); wetted parts: Alloy C22								
Surface roughness (flange): Ra 3.2 to 12.5 µm								
DN	A	B	C	D	E	F	L	L _{diff} ¹⁾
3/8" ²⁾	3.74	2.63	4 × Ø0.62	0.65	1.38	0.62	14.8	+0.23
1/2"	3.74	2.63	4 × Ø0.62	0.65	1.38	0.62	15.98	+0.07
1"	4.92	3.50	4 × Ø0.75	0.83	2	1.05	17.72	+0.40
1 1/2"	6.1	4.50	4 × Ø0.88	0.91	2.88	1.61	22.2	+0.55
2"	6.5	5	4 × Ø0.75	1	3.62	2.07	28.23	+0.08
3"	8.27	6.63	8 × Ø0.88	1.22	5	3.07	33.57	+0.50
4"	10.04	7.87	8 × Ø0.88	1.26	6.19	4.03	44.84	+0.47

¹⁾ Difference to the installation length of the welding neck flange (order code "Process connection", option ABC)

²⁾ DN 3/8" standard with DN 1/2" flange

All dimensions in [in]

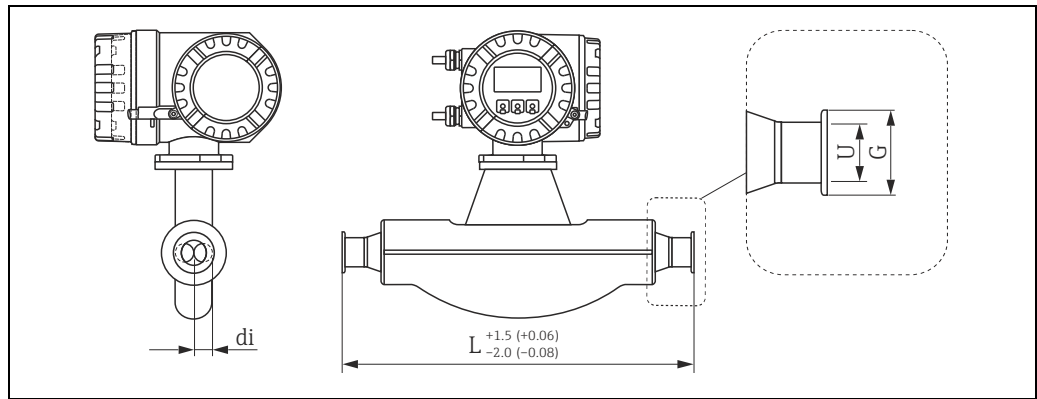
Lap joint flange according to ASME B16.5 CI 600: 1.4301 (F304) (order code "Process connection", option AFC); wetted parts: Alloy C22 Surface roughness (flange): Ra 3.2 to 12.5 µm								
DN	A	B	C	D	E	F	L	L _{diff} ¹⁾
3/8" ²⁾	3.74	2.63	4 × Ø0.62	0.67	1.38	0.55	15.75	0
1/2"	3.74	2.63	4 × Ø0.62	0.67	1.38	0.55	16.54	0
1"	4.92	3.5	4 × Ø0.75	0.85	2	0.96	19.29	0
1 1/2"	6.1	4.5	4 × Ø0.88	0.98	2.88	1.50	23.62	0
2"	6.5	5	4 × Ø0.75	1.1	3.62	1.94	29.21	0
3"	8.27	6.63	8 × Ø0.88	1.38	5	2.9	35.43	0
4"	10.83	8.5	8 × Ø1	1.73	6.19	3.83	45.94	+0.39

¹⁾ Difference to the installation length of the welding neck flange (order code "Process connection", option ACC)

²⁾ DN 3/8" standard with DN 1/2" flange

All dimensions in [in]

Tri-Clamp



A0022593

Dimension unit in mm (in)

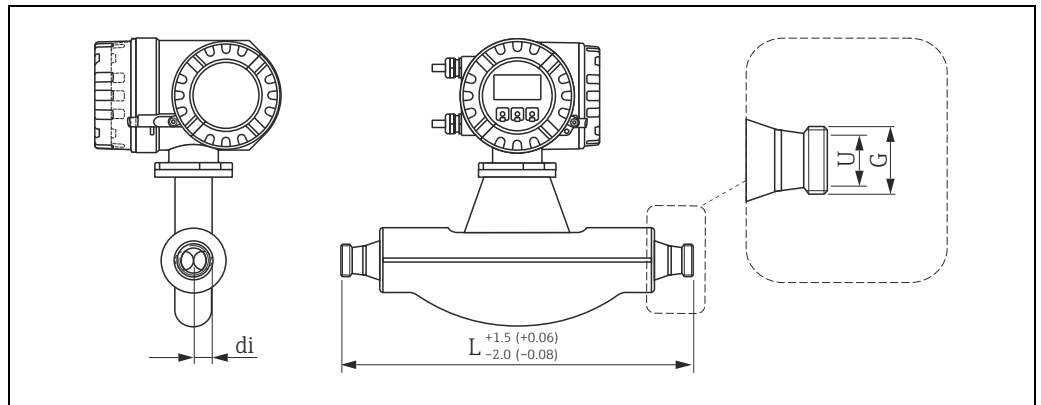
Tri-Clamp: 1.4404 (316/316L)					
DN	Clamp	G	L	U	di
3/8"	1"	1.98	14.4	0.87	0.21
1/2"	1"	1.98	15.7	0.87	0.33
1"	1"	1.98	17.1	0.87	0.47
1 1/2"	1 1/2"	1.98	22.0	1.37	0.69
2"	2"	2.52	28.3	1.87	1.02
3"	3"	3.58	35.4	2.87	1.59
4"	4"	4.68	44.4	3.83	2.01

3A version also available (Ra ≤ 0.8 μm/150 grit, option: Ra ≤ 0.4 μm/240 grit)
 All dimensions in [in]

1/2"-Tri-Clamp: 1.4404 (316/316L)					
DN	Clamp	G	L	U	di
3/8"	1/2"	0.98	14.4	0.37	0.21
1/2"	1/2"	0.98	15.7	0.37	0.33

3A version also available (Ra ≤ 0.8 μm/150 grit, option: Ra ≤ 0.4 μm/240 grit)
 All dimensions in [in]

SMS 1145 (Threaded hygienic connection)



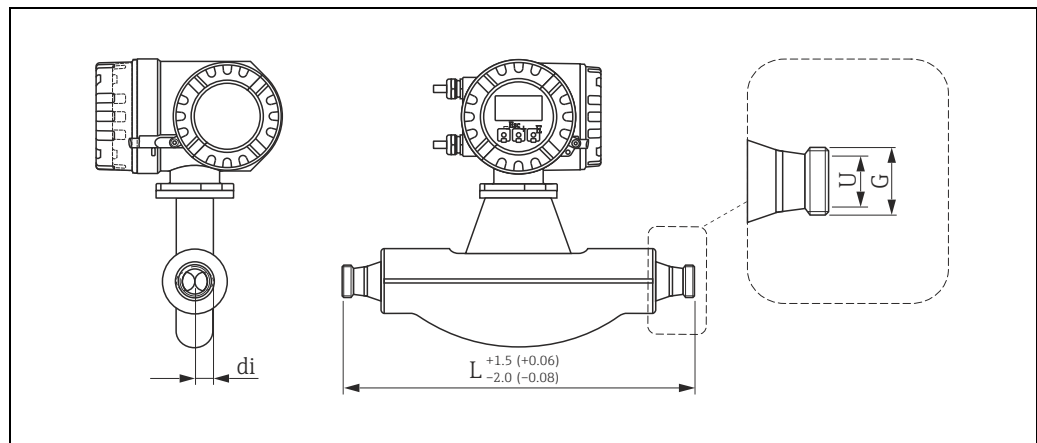
A0022588

Dimension unit in mm (in)

Threaded hygienic connection SMS 1145: 1.4404 (316/316L)				
DN	G	L	U	di
3/8"	Rd 40 × 1/6"	14.45	0.89	0.214
1/2"	Rd 40 × 1/6"	15.67	0.89	0.332
1"	Rd 40 × 1/6"	17.09	0.89	0.480
1 1/2"	Rd 60 × 1/6"	22.05	1.4	0.704
2"	Rd 70 × 1/6"	28.35	1.91	0.104
3"	Rd 98 × 1/6"	35.43	2.87	1.620
4"	Rd 132 × 1/6"	44.37	3.84	2.048

3A version also available (Ra ≤ 0.8 μm/150 grit, option: Ra ≤ 0.4 μm/240 grit)
 All dimensions in [in]

VCO connections



A0022587

Dimension unit in mm (in)

8-VCO-4 (1/2"): 1.4404 (316/316L)				
DN	G	L	U	di
3/8"	AF 1"	15.35	0.40	0.21

All dimensions in [in]

12-VCO-4 (3/4"): 1.4404 (316/316L)				
DN	G	L	U	di
1/2"	AF 1 1/2"	16.93	0.62	0.33

All dimensions in [in]

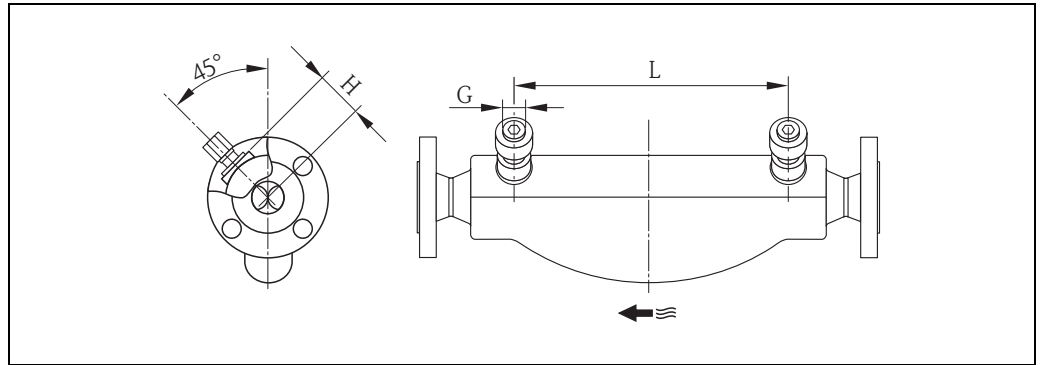
Purge connections / secondary containment monitoring



Caution!

Purge connections or secondary containment monitoring can not be combined with separately available heating jacket.

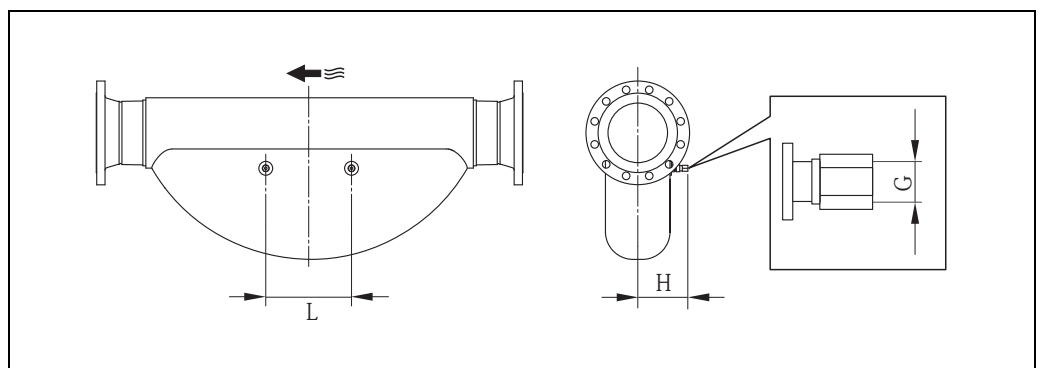
Dimensions (not available for the Promass F high-temperature version)



a0002537

DN 8 bis DN 150 (3/8" to 6")

DN		G	H		L	
[mm]	[in]		[mm]	[in]	[mm]	[in]
8	3/8	1/2"-NPT	62	2.44	216	8.50
15	1/2	1/2"-NPT	62	2.44	220	8.66
25	1	1/2"-NPT	62	2.44	260	10.24
40	1 1/2	1/2"-NPT	67	2.64	310	12.20
50	2	1/2"-NPT	79	3.11	452	17.78
80	3	1/2"-NPT	101	3.98	560	22.0
100	4	1/2"-NPT	120	4.72	684	27.0
150	6	1/2"-NPT	141	5.55	880	34.6



a0009734

DN 250 (10")

DN		G	H		L	
[mm]	[in]		[mm]	[in]	[mm]	[in]
250	10	1/2"-NPT	182	7.17	380	14.96

Weight

- Compact version: see table below
- Remote version
 - Sensor: see table below
 - Wall-mount housing: 5 kg (11 lbs)

Weight information in SI units

DN [mm]	8	15	25	40	50	80	100	150	250 ¹⁾
Compact version	11	12	14	19	30	55	96	154	400
High-temperature compact version	–	–	14.7	–	30.7	55.7	–	–	–
Compact version Ex d	20	21	23	28	39	64	105	163	409
Remote version	9	10	12	17	28	53	94	152	398
High-temperature remote version	–	–	13.5	–	29.5	54.5	–	–	–

¹⁾With 10" according to ASME B16.5 Cl 300 flanges

All values (weight) refer to devices with EN/DIN PN 40 flanges.

Weight information in [kg].

Weight information in US

DN [in]	$\frac{3}{8}$	$\frac{1}{2}$	1	1½	2	3	4	6	10 ¹⁾
Compact version	24	26	31	42	66	121	212	339	882
High-temperature compact version	–	–	32	–	68	123	–	–	–
Compact version Ex d	44	46	51	62	86	141	232	359	902
Remote version	20	22	26	37	62	117	207	335	877
High-temperature remote version	–	–	29	–	65	120	–	–	–

¹⁾ With 10" according to ASME B16.5 Cl 300 flanges

All values (weight) refer to devices with EN/DIN PN 40 flanges.

Weight information in [lbs].

Material**Transmitter housing**

Compact version

- Compact version: powder coated die-cast aluminium
- Stainless steel housing: stainless steel 1.4301/ASTM 304
- Window material: glass or polycarbonate

Remote version

- Remote field housing: powder coated die-cast aluminium
- Wall-mount housing: powder coated die-cast aluminium
- Window material: glass

Sensor housing / containment

- Acid and alkali-resistant outer surface
- Stainless steel 1.4307 (304L)

Connection housing, sensor (remote version)

- Stainless steel 1.4301 (304) (standard)
- Powder coated die-cast aluminium
(high-temperature version and version for heating)

Process connections

- Stainless steel 1.4404 (F316/F316L)
 - Flanges according to EN 1092-1 (DIN 2501) / according to ASME B16.5 / JIS B2220
- Stainless steel 1.4404 (316/316L)
 - DIN 11864-2 Form A (aseptic flat flange with groove)
 - Threaded hygienic connection:
 - DIN 11851
 - SMS 1145
 - ISO 2853
 - DIN 11864-1 Form A
 - Tri-Clamp (OD-Tubes)
 - VCO connections
- Stainless Steel 1.4301 (F304), wetted parts: Alloy C22
 - Lap joint flange according to EN 1092-1 (DIN 2501) / according to ASME B16.5 / JIS B2220
- Alloy C22, 2.4602 (UNS N06022)
 - Flanges according to EN 1092-1 (DIN 2501) / according to ASME B16.5 / JIS B2220

High-temperature version

- Stainless steel 1.4404 (316/316L)
 - Flanges according to EN 1092-1 (DIN 2501) / according to ASME B16.5 / JIS B2220
- Alloy C22, 2.4602 (UNS N06022)
 - Flanges according to EN 1092-1 (DIN 2501) / according to ASME B16.5 / JIS B2220

Measuring tubes

- DN 8 to 100 ($\frac{3}{8}$ " to 4"): Stainless Steel 1.4539 (904L); manifold: 1.4404 (316/316L)
- DN 150 (6"): Stainless Steel 1.4404 (316/316L); manifold: 1.4404 (316/316L)
- DN 250 (10"): Stainless Steel 1.4404 (316/316L); manifold: CF3M/316L
- DN 8 to 150 ($\frac{3}{8}$ " to 6"): Alloy C22, 2.4602 (UNS N06022); manifold: Alloy C22, 2.4602 (UNS N06022)

High-temperature version

DN 25, 50, 80: Alloy C22, 2.4602 (UNS N06022)

Process connections

- Flanges according to EN 1092-1 (DIN 2501), according to ASME B16.5, JIS B2220, VCO connections
- Sanitary connections: Tri-Clamp, threaded hygienic connections (DIN 11851, SMS 1145, ISO 2853, DIN 11864-1 Form A), flange to DIN 11864-2 Form A (aseptic flat flange with groove)

Operability

Local operation**Display elements**

- Liquid crystal display: illuminated, four lines with 16 characters per line
- Selectable display of different measured values and status variables
- At ambient temperatures below -20 °C (-4 °F) the readability of the display may be impaired.

Operating elements

- Local operation with three optical sensors (☐ ⊕ ⊞)
- Application specific Quick Setup menus for straightforward commissioning

Language groups	<p>Language groups available for operation in different countries:</p> <ul style="list-style-type: none"> ▪ Western Europe and America (WEA): English, German, Spanish, Italian, French, Dutch and Portuguese ▪ Eastern Europe and Scandinavia (EES): English, Russian, Polish, Norwegian, Finnish, Swedish and Czech ▪ South and east Asia (SEA): English, Japanese, Indonesian ▪ China (CIN): English, Chinese <p>You can change the language group via the operating program "FieldCare".</p>
------------------------	--

Remote operation	Operation via HART, Modbus RS485
-------------------------	----------------------------------

Certificates and approvals

CE mark	The measuring system is in conformity with the statutory requirements of the EC Directives. confirms successful testing of the device by affixing to it the CE mark.
C-tick mark	The measuring system meets the EMC requirements of the Australian Communication and Media Authority (ACMA).
Ex approval	Information about currently available Ex versions (ATEX, FM, CSA, IECEx, NEPSI) can be supplied by your Sales Centre on request. All explosion protection data are given in a separate documentation which is available upon request.
Sanitary compatibility	<ul style="list-style-type: none"> ▪ 3A approval ▪ EHEDG tested
Modbus RS485 certification	The measuring device meets all the requirements of the Modbus/TCP conformity and integration test and has the "Modbus/TCP Conformance Test Policy, Version 2.0". The measuring device has successfully passed all the test procedures carried out and is certified by the "Modbus/TCP Conformance Test Laboratory" of the University of Michigan.
Pressure measuring device approval	<p>The measuring devices can be ordered with or without PED (Pressure Equipment Directive). If a device with PED is required, this must be ordered explicitly. For devices with nominal diameters less than or equal to DN 25 (1"), this is neither possible nor necessary.</p> <ul style="list-style-type: none"> ▪ With the identification PED/G1/III on the sensor nameplate, confirms conformity with the "Basic safety requirements" of Appendix I of the Pressure Equipment Directive 97/23/EC. ▪ Devices with this identification (with PED) are suitable for the following types of fluid: <ul style="list-style-type: none"> – Fluids of Group 1 and 2 with a steam pressure greater than, or smaller and equal to 0.5 bar (7.3 psi) – Unstable gases ▪ Devices without this identification (without PED) are designed and manufactured according to good engineering practice. They correspond to the requirements of Art. 3, Section 3 of the Pressure Equipment Directive 97/23/EC. Their application is illustrated in Diagrams 6 to 9 in Appendix II of the Pressure Equipment Directive 97/23/EC.
Measuring Instruments Directive	<p>Measuring Instruments Directive 2004/22/EG (MID)</p> <p><i>Annex MI-002 (gas meter)</i></p> <p>The measuring device is approved as gas meter for use under legal control (in commercial transactions) acc. the European Measuring Instruments Directive, Annex MI-002 (DE-08-MI002-PTB007).</p>

Annex MI-005 (liquids other than water)

- This flowmeter which is a suitable component in measuring systems subject to legal metrology controls in accordance with Annex MI-005 of the European Measuring Instruments Directive 2004/22/EC (MID)

Note: According to the Measuring Instruments Directive, however, only the complete measuring system is licensable, covered by an EC type-examination certificate and bears conformity marking.

- This flowmeter is qualified to OIML R117-1 and has an MID Evaluation Certificate (1) which confirms compliance with the essential requirements of the Measuring Instruments Directive. The Evaluation Certificate results from the WELMEC (cooperation between the legal metrology services of the member states of the European Union and EFTA) towards voluntary modular approval for measuring systems in accordance with Annex MI-005 (measuring systems for the continuous and dynamic measurement of quantities of liquids other than water) of the Measuring Instruments Directive 2004/22/EC.

Approval for custody transfer

Promass 84 is a flowmeter suitable for custody transfer measurement for liquids (other than water) and for fuel gases under high pressure (<100 bar (<1450 psi)). The requirements of the following test centres are taken into consideration:

- PTB, Germany
- NMI, The Netherlands
- METAS, Switzerland
- BEV, Austria
- NTEP, USA
- MC, Canada

Information on custody transfer measurement →  29

Suitability for custody transfer measurement

PTB/NMI/METAS/BEV approval

PTB, METAS and BEV approval for determining the mass and volume of liquids, other than water, and of fuel gases.

Sensor	DN		PTB /NMI/METAS /BEV approval			
	[mm]	[in]	For liquids other than water			High pressure gas
Promass			Mass	Volume	Density	(CNG) Mass
F	8 to 250	3/8 to 10	YES	YES	YES	NO

MID approval, Annex MI-002 (gas meter)

The device is qualified to OIML R137/D11.

Sensor	DN		MID Type Examination Certificate MI-002 (Europe)		
	[mm]	[in]	Fuel gases up to 100 bar (1450 psi)		
Promass			Mass	Volume	Density
F	8 to 250	3/8 to 10	YES	YES*	NO

* at pure gases only (invariable gas density)

MID approval, Annex MI-005 (liquids other than water)

The device is qualified to OIML R117-1.

Sensor	DN		OIML R117-1/MID Evaluation Certificate (Europe)		
	[mm]	[in]	Liquids other than water		
Promass			Mass	Volume	Density
F	8 to 250	3/8 to 10	YES	YES	YES

NTEP approval

The measuring instrument is qualified in accordance with the National Type Evaluation Program (NTEP) Handbook 44 ("Specifications and Tolerances and other Technical Requirements for Weighing and Measuring Devices").

Sensor	DN		NTEP approval		
	[mm]	[in]	Liquids other than water Mass	Volume	High-pressure gas (CNG) Mass
F	15 to 150	½ to 6	YES	YES	NO

MC approval

The measuring instrument is qualified in accordance with "The Draft Ministerial Specifications - Mass Flow Meters" (1993-09-21).

Sensor	DN		MC approval	
	[mm]	[in]	Liquids other than water Mass	Volume
F	8 to 150	¾ to 6	YES	YES

Other standards and guidelines

- EN 60529
Degrees of protection by housing (IP code)
- IEC/EN 60068-2-6
Environmental influences: Test procedure - Test Fc: vibrate (sinusoidal)
- IEC/EN 60068-2-31
Environmental influences: Test procedure - Test Ec: shocks due to rough handling, primarily for devices
- EN 61010-1
Protection Measures for Electrical Equipment for Measurement, Control, Regulation and Laboratory Procedures
- IEC/EN 61326
"Emission in accordance with Class A requirements". Electromagnetic compatibility (EMC requirements)
- NAMUR NE 21
Electromagnetic compatibility (EMC) of industrial process and laboratory control equipment
- NAMUR NE 43
Standardization of the signal level for the breakdown information of digital transmitters with analog output signal
- NAMUR NE 53
Software of field devices and signal-processing devices with digital electronics
- NACE MR 103
Materials resistant to sulfide stress cracking in corrosive petroleum refining environments
- NACE MR 0175/ISO 15156-1
Materials for use in H₂S-containing Environments in Oil and Gas Production

Ordering Information

Detailed ordering information is available from the following sources:

- In



Note!

Product Configurator - the tool for individual product configuration

- Up-to-the-minute configuration data
- Depending on the device: Direct input of measuring point-specific information such as measuring range or operating language
- Automatic verification of exclusion criteria
- Automatic creation of the order code and its breakdown in PDF or Excel output format
-

По вопросам продаж и поддержки обращайтесь:

Алматы (7273)495-231
Ангарск (3955)60-70-56
Архангельск (8182)63-90-72
Астрахань (8512)99-46-04
Барнаул (3852)73-04-60
Белгород (4722)40-23-64
Благовещенск (4162)22-76-07
Брянск (4832)59-03-52
Владивосток (423)249-28-31
Владикавказ (8672)28-90-48
Владимир (4922)49-43-18
Волгоград (844)278-03-48
Вологда (8172)26-41-59
Воронеж (473)204-51-73
Екатеринбург (343)384-55-89

Иваново (4932)77-34-06
Ижевск (3412)26-03-58
Иркутск (395)279-98-46
Казань (843)206-01-48
Калининград (4012)72-03-81
Калуга (4842)92-23-67
Кемерово (3842)65-04-62
Киров (8332)68-02-04
Коломна (4966)23-41-49
Кострома (4942)77-07-48
Краснодар (861)203-40-90
Красноярск (391)204-63-61
Курск (4712)77-13-04
Курган (3522)50-90-47
Липецк (4742)52-20-81

Магнитогорск (3519)55-03-13
Москва (495)268-04-70
Мурманск (8152)59-64-93
Набережные Челны (8552)20-53-41
Нижний Новгород (831)429-08-12
Новокузнецк (3843)20-46-81
Ноябрьск (3496)41-32-12
Новосибирск (383)227-86-73
Омск (3812)21-46-40
Орел (4862)44-53-42
Оренбург (3532)37-68-04
Пенза (8412)22-31-16
Петрозаводск (8142)55-98-37
Псков (8112)59-10-37
Пермь (342)205-81-47

Ростов-на-Дону (863)308-18-15
Рязань (4912)46-61-64
Самара (846)206-03-16
Санкт-Петербург (812)309-46-40
Саратов (845)249-38-78
Севастополь (8692)22-31-93
Саранск (8342)22-96-24
Симферополь (3652)67-13-56
Смоленск (4812)29-41-54
Сочи (862)225-72-31
Ставрополь (8652)20-65-13
Сургут (3462)77-98-35
Сыктывкар (8212)25-95-17
Тамбов (4752)50-40-97
Тверь (4822)63-31-35

Тольятти (8482)63-91-07
Томск (3822)98-41-53
Тула (4872)33-79-87
Тюмень (3452)66-21-18
Ульяновск (8422)24-23-59
Улан-Удэ (3012)59-97-51
Уфа (347)229-48-12
Хабаровск (4212)92-98-04
Чебоксары (8352)28-53-07
Челябинск (351)202-03-61
Череповец (8202)49-02-64
Чита (3022)38-34-83
Якутск (4112)23-90-97
Ярославль (4852)69-52-93

Россия +7(495)268-04-70

Казахстан +7(7172)727-132

Киргизия +996(312)96-26-47

эл.почта: ehr@nt-rt.ru || сайт: <https://endcounters.nt-rt.ru/>