

Сигнализаторы потока t-switch - АТТ11

Техническая информация

По вопросам продаж и поддержки обращайтесь:

Алматы (7273)495-231
Ангарск (3955)60-70-56
Архангельск (8182)63-90-72
Астрахань (8512)99-46-04
Барнаул (3852)73-04-60
Белгород (4722)40-23-64
Благовещенск (4162)22-76-07
Брянск (4832)59-03-52
Владивосток (423)249-28-31
Владикавказ (8672)28-90-48
Владимир (4922)49-43-18
Волгоград (844)278-03-48
Вологда (8172)26-41-59
Воронеж (473)204-51-73
Екатеринбург (343)384-55-89

Иваново (4932)77-34-06
Ижевск (3412)26-03-58
Иркутск (395)279-98-46
Казань (843)206-01-48
Калининград (4012)72-03-81
Калуга (4842)92-23-67
Кемерово (3842)65-04-62
Киров (8332)68-02-04
Коломна (4966)23-41-49
Кострома (4942)77-07-48
Краснодар (861)203-40-90
Красноярск (391)204-63-61
Курск (4712)77-13-04
Курган (3522)50-90-47
Липецк (4742)52-20-81

Магнитогорск (3519)55-03-13
Москва (495)268-04-70
Мурманск (8152)59-64-93
Набережные Челны (8552)20-53-41
Нижний Новгород (831)429-08-12
Новокузнецк (3843)20-46-81
Ноябрьск (3496)41-32-12
Новосибирск (383)227-86-73
Омск (3812)21-46-40
Орел (4862)44-53-42
Оренбург (3532)37-68-04
Пенза (8412)22-31-16
Петрозаводск (8142)55-98-37
Псков (8112)59-10-37
Пермь (342)205-81-47

Ростов-на-Дону (863)308-18-15
Рязань (4912)46-61-64
Самара (846)206-03-16
Санкт-Петербург (812)309-46-40
Саратов (845)249-38-78
Севастополь (8692)22-31-93
Саранск (8342)22-96-24
Симферополь (3652)67-13-56
Смоленск (4812)29-41-54
Сочи (862)225-72-31
Ставрополь (8652)20-65-13
Сургут (3462)77-98-35
Сыктывкар (8212)25-95-17
Тамбов (4752)50-40-97
Тверь (4822)63-31-35

Тольятти (8482)63-91-07
Томск (3822)98-41-53
Тула (4872)33-79-87
Тюмень (3452)66-21-18
Ульяновск (8422)24-23-59
Улан-Удэ (3012)59-97-51
Уфа (347)229-48-12
Хабаровск (4212)92-98-04
Чебоксары (8352)28-53-07
Челябинск (351)202-03-61
Череповец (8202)49-02-64
Чита (3022)38-34-83
Якутск (4112)23-90-97
Ярославль (4852)69-52-93

Россия +7(495)268-04-70

Казахстан +7(7172)727-132

Киргизия +996(312)96-26-47

эл.почта: ehr@nt-rt.ru || сайт: <https://endcounters.nt-rt.ru/>



Level



Pressure



Flow



Temperature



Liquid
Analysis



Registration



Systems
Components



Services



Solutions

Technical Information

t-switch - ATT11

Thermal flow

Flow switch for liquids and gases



Applications

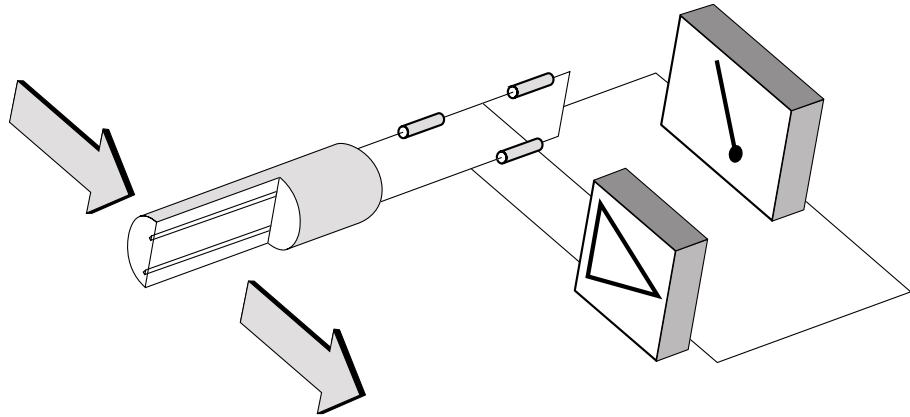
- Dry run pump protection
- Filter control
- Monitoring of lubricating oil flow

Your benefits

- Nominal diameters from DN25
- Suitable for liquids and gases
- No moving parts – reduced maintenance
- Wide selection of process connections
- Wide dynamic range
- EHEDG approved. Meets 3A requirements
- cCSAus general approval

Measuring principle

Thermal technology is a well established operating principle in the process industry used on a wide variety of applications. It operates by monitoring the cooling effect of a fluid stream as it passes over a heated transducer (RTD). The fluid flows over two RTD elements, one of which senses the actual fluid temperature and provides a reference whilst the other is heated to ensure a constant differential temperature above the fluid temperature. The applied power needed to maintain this differential is proportional to the mass flow of the fluid.



Applications

Process plant

- Dry run protection for pumps
- Control of cooling systems for pumps, turbines, compressors and heat exchangers

Chemical industry

- Chemical dosing
- Monitoring pump function

Water treatment

- Status indication of valves in water distribution systems
- Chemical dosing
- Air injection

Beverage industry

- Filter control
- Monitoring cleaning processes

Dairy industry

- Cooling systems in refrigeration plants

Performance and selection

Sensor type

Liquid (flat-face)

Figures referenced to water
Ranged 2m/sec or 3m/sec
Response time: 5 sec rising
< 5 sec falling
(0-66% step change)

Conversion to Nm³/sec (velocity at normalised conditions)

$$\frac{\text{Flow (Kg/hr)}}{\text{normal density of gas (Kg/m}^3\text{)}} \times \frac{353.68 \text{ (Constant)}}{d^2 \text{ pipe dia (mm)}}$$

$$= \frac{500}{1.293} \times \frac{353.68}{54^2}$$

(density of air at 0°C+1.013bar A) (Example 2" pipe)
= 46.9Nm³/sec

Note:

Operates from 0.1m/sec

Gas (probe)

Figures referenced to air
Ranged 0-50Nm³/sec
Response time: 15 sec rising
10 sec falling
(0-66% step change)

Example: to convert 350 Nm³/hr in 50mm NB pipe to Nm³/sec

$$\frac{\text{Flow (Nm}^3\text{/hr)}}{3600} \times \frac{353.68 \text{ (Constant)}}{d^2 \text{ pipe dia (mm)}}$$

$$= \frac{350}{3600} \times \frac{353.68}{54^2}$$

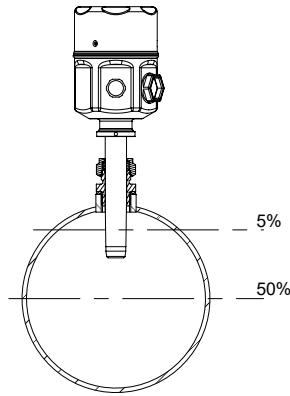
$$= 44.145\text{Nm}^3\text{/sec}$$

Normal = 0°C+1.013bar A

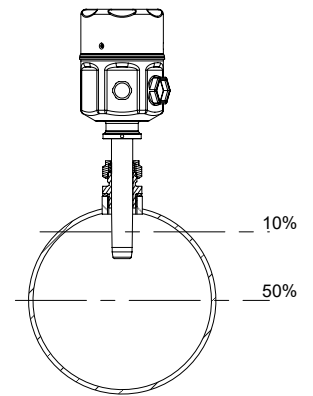
Mounting and installation

Insertion depth (gas and liquid)

For optimum measuring performance, the active area should be inserted to a depth of between 5% and 50% of the internal pipe diameter. The sensor tip should be in contact with the medium at all times.



For pipe diameters <DN250

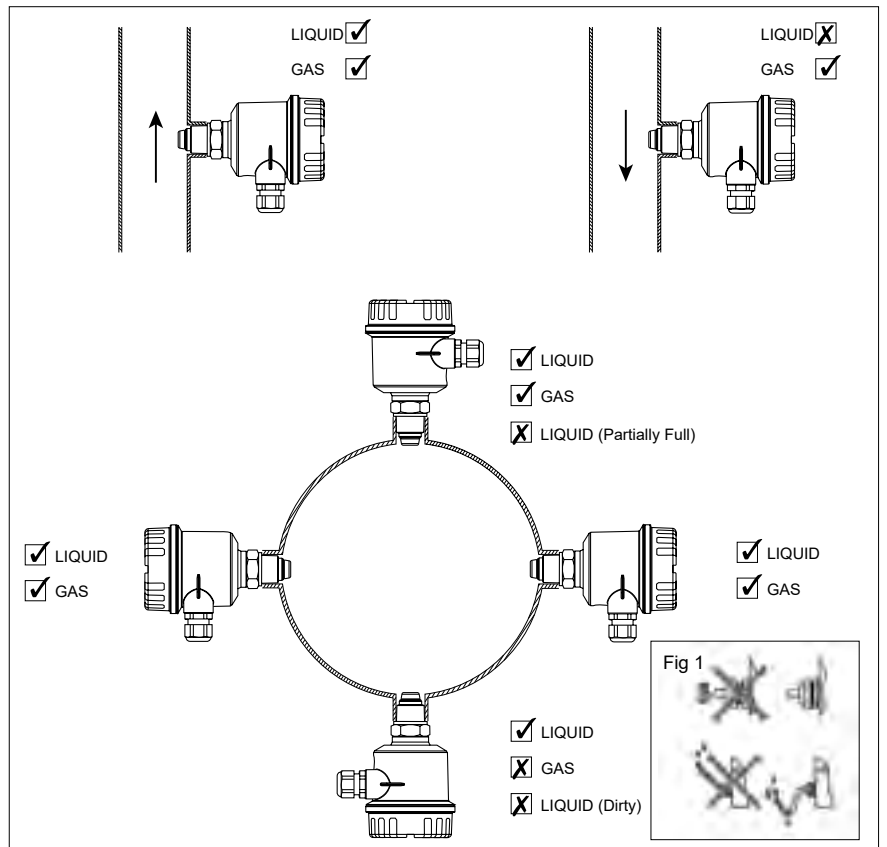


For pipe diameters >DN250

IP protection guideline

- Housing gasket must be clean and undamaged prior to tightening the lid
- The cables used for connecting must have the correct outer diameter to suit the cable gland seal
- The cable gland must be firmly tightened
- The cable must loop down before entering the cable gland to ensure that no moisture can enter it (fig 1)
- Any cable glands not used are to be replaced with a blind plug
- The protective bush should not be removed from the cable gland

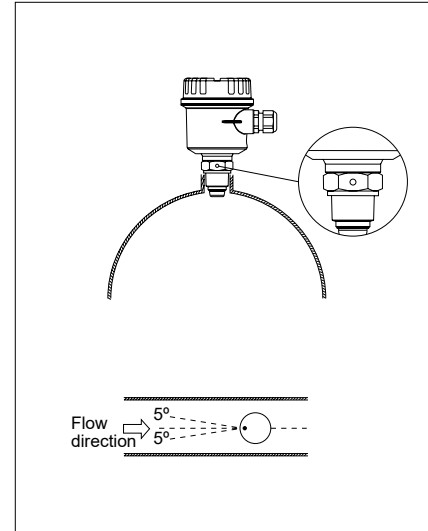
Planning and installation guidelines



Planning and installation guidelines

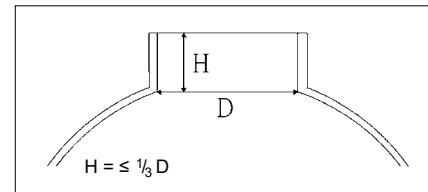
Sensor

- Each process connection has an orientation mark. This should be positioned in line facing the oncoming flow
- Sensor should be installed so that the sensing surface is in contact with the flowing medium at all times
- There is an allowed orientation tolerance of +/- 5° from centre
- For liquids, ensure full pipe
- Avoid mounting device where exposure to extreme ambient temperature change occurs, i.e. direct sunlight
- Avoid applications with large process temperature changes
- For gases, avoid areas where condensate collects



Sanitary sensor

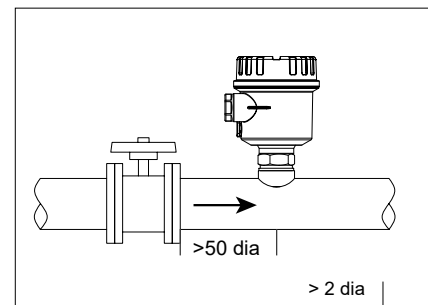
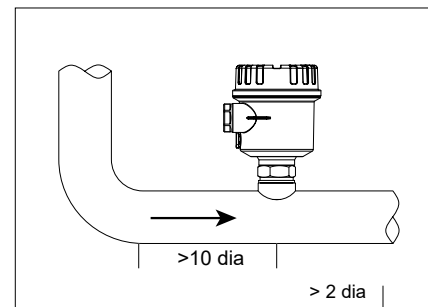
- It is the responsibility of the user to ensure that the volume enclosed by the mounting boss has sufficient dimensions to ensure adequate cleaning takes place



Mounting and installation (Good Engineering Practice guidelines)

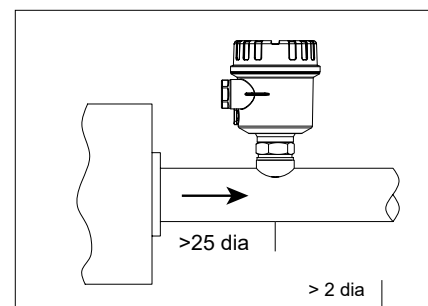
Avoid installing in areas of extreme flow turbulence. For example:

- Directly after bends or expansions/reductions
- Directly downstream of isolation and control valves
- Directly after pumps, fans and compressors



Note:

1. All downstream dimensions are provided only as a guideline and wherever possible greater dimensions should be considered
2. The devices will work if installed closer to or even on the bend, but overall performance will be impaired. If flow no flow is required then it is possible to mount the devices closer to bends



Insertion sensor

Process connection
extended sensor

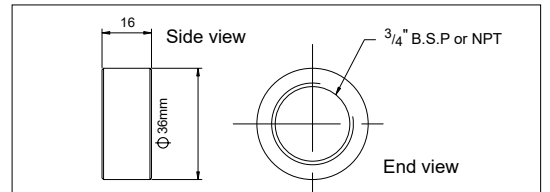


Dimensions of extended versions (L in mm)

Sensor option	Insertion 125mm	Insertion 235mm
Flat-face	125	235
Probe	125	235

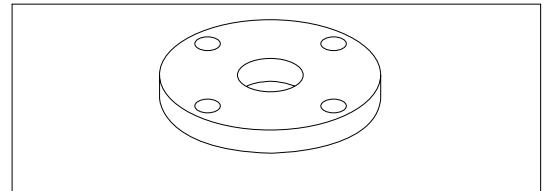
Mounting boss

For BSP and NPT threads

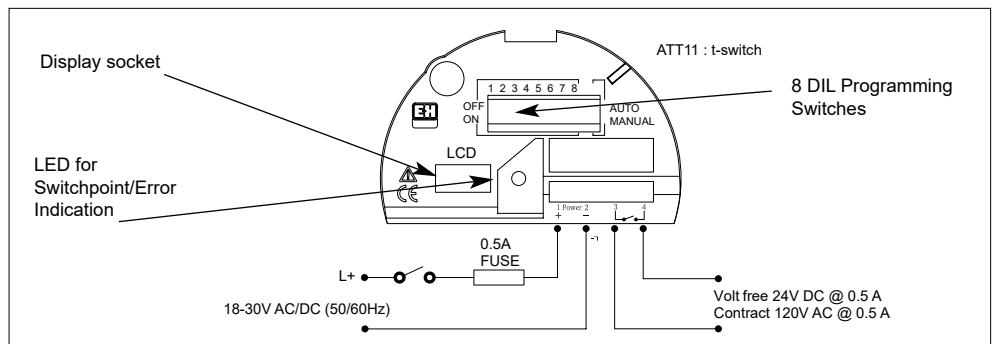


Accessories

Threaded flanges
with G^{3/4}" BSP or 3/4" NPT
thread for mounting
a t-switch.
Available sizes:
DN25 PN25
ANSI 1" 150lbs
DN40 PN25
ANSI 1 1/2" 150lbs
DN50 PN25
ANSI 2" 150lbs



Electrical connection



Note 1: In order to meet EMC requirements, screened or shielded cable is recommended.

Note 2: The sensor power supply should have a limited power circuit according to NEC Class 2 for North America and CEC Class 2 for Canada.

Operation

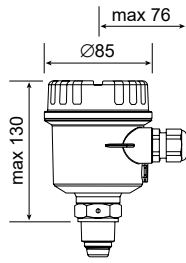
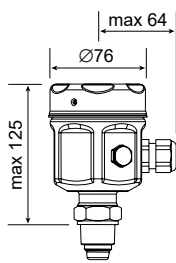
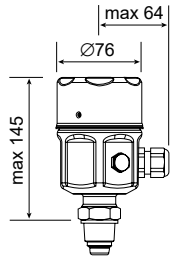
LED (Light Emitting Diode)

- Illuminates when measured flow above switchpoint
- Off when measured flow below switchpoint
- Flashes to indicate an error

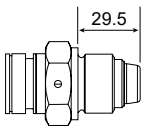
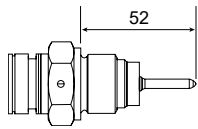
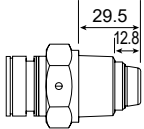
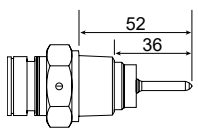
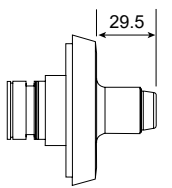
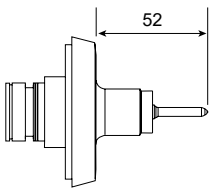
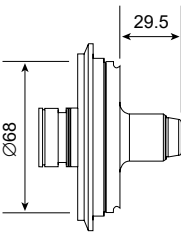
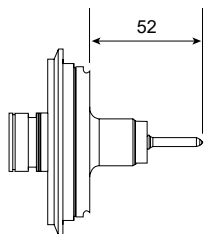
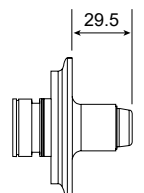
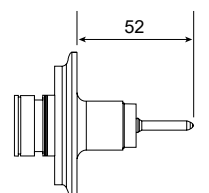
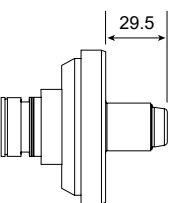
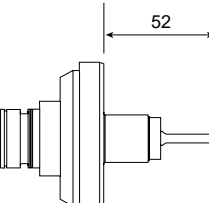
LCD (Liquid Crystal Display)

- Optional display used to indicate flow as a percentage of maximum. Also displays programming information and error codes (not essential for programming)

Housing and sensor

Polyester housing No display	Steel housing No display	Steel housing with extended lid With display
		

Process connection

Process connection	Dimensions with liquid sensor	Dimensions with gas sensor	Process limits
BSP 3/4" (G)			max 25 bar A max 80°C
3/4" NPT			max 25 bar A max 80°C
Sanitary coupling DN40 DN50 to DIN 11851			max 25 bar A max 80°C
Varivent DN50			max 10 bar A max 80°C
Triclamp 1 1/2" 2" ISO 2852			max 16 bar A max 80°C
Aseptic coupling DN50 to DIN 11864			max 25 bar A max 80°C

All dimensions in mm
For extended insertion sensor
supplied with compression
fitting: 20 bar A at 20°C

Technical data

Process conditions

- Nominal process diameters from DN25 (see Note)
 - Process pressure range: 25 Bar A (process fitting dependent)
 - Process temperature range: -10 to +80°C. (For temperatures in excess of 80°C, please contact your local E+H representative)
-

Materials

- Meter body: 1.4404/1.4435/316L
 - Transducers: 1.4404/1.4435/316L
 - Polyester housing: PBT-FR (polyester) with cover in PBT-FR or with transparent cover in PA 12, seal of cover; EPDM
 - Steel housing: 1.4301 (AISI 304), seal of cover; silicone
 - Cable gland: polyamide
 - Hastelloy C (available on request)
 - Aluminium housing (available on request)
-

Process connections

- Parallel thread BSP 3/4" (includes brass 3/4" compression fitting for insertion sensors only)
 - Tapered thread 3/4" NPT (includes brass 3/4" compression fitting for insertion sensors only)
 - Sanitary coupling DN40, 50 to DIN 11851
 - Varivent DN50 to factory standard Tuchenhagen
 - Triclamp 1 1/2", 2" to ISO 2852
 - Aseptic coupling DN50 to DIN 11864
 - Optional: stainless steel compression fitting for insertion sensors
-

Performance limits

- Accuracy: ± 5% of factory full scale
 - Repeatability: ± 1% of factory full scale
 - Response time, flat-face: 5 sec rising, < 5 sec falling
 - Response time, probe: 15 sec rising, 10 sec falling
 - Flow ranges, liquid: 2m/sec or 3m/sec ref. to water (see page 2)
 - Flow ranges, gas: 50Nm/sec ref. to air
-

Human interface

- Electronic insert: 8 DIL switches for commissioning
 - Red LED to indicate switching status, flashes under fault condition
 - Optional display: 4 numeric characters with bar graph
-

Electrical

- Power supply: 18-30V AC/DC (~) 50/60Hz
 - Power consumption: <3W
 - Relay output: normally open (NO), single pole contact
 - The sensor power supply should have a limited power circuit, according to NEC Class 2 for North America and CEC Class 2 for Canada
-

Environment

- Storage temperature range: -20 to +80°C (without LCD)
 - Ambient temperature range: -10 to +60°C (without LCD)
 - Degree of protection: polyester and steel housings: IP66 to EN 60529
 - Vibration resistance: Up to 1g, 10....150Hz to IEC 60068-2-6
 - Shock resistance: to IEC 60068-2-31
 - Electromagnetic Compatibility (EMC): IEC 801 part3: E = 10V/m (30MHz...1GHz)
-

Approvals

- EHEDG, all wetted materials FDA listed. Meets the requirements of 3A
 - cCSAus general approval
 - Installation (overvoltage) category 2
 - Pollution degree 2
-

Note:

Care should be taken when installing in 25mm (1") pipework. It is advised to seek guidance from your local E+H representative.

Performance and selection

Product structure ATT11-

Approvals

- A For use in non-hazardous areas
- C cCSAus general approval
- Y Special – please specify

Sensor form

- 11 Flat-face sensor, 2m/sec (liquid)
- 12 Flat-face sensor, insertion 125mm, 2m/sec (liquid)
- 13 Flat-face sensor, insertion 235mm, 2m/sec (liquid)
- 21 Probe sensor, 50Nm/sec (gas)
- 22 Probe sensor, insertion 125mm, 50Nm/sec (gas)
- 23 Probe sensor, insertion 235mm, 50Nm/sec (gas)
- 31 Flat-face sensor, 3m/sec (liquid)
- 32 Flat-face sensor, insertion 125mm, 3m/sec (liquid)
- 33 Flat-face sensor, insertion 235mm, 3m/sec (liquid)
- 99 Special – please specify

Process connection

(Material 1.4435/316L unless stated)

- D1 G 3/4" BSP, (boss included)
(boss suitable for DN40 to DN1000)
- D2 G 3/4" BSP, brass boss included (brass
compression fitting, insertion sensor only)
- D3 G 3/4" BSP
- D4 G 3/4" BSP stainless steel boss included
(stainless steel compression fitting, insertion sensor only)
- F1 NPT 3/4" (boss included)
(boss suitable for DN40 to DN1000)
- F2 NPT 3/4", brass boss included (brass
compression fitting, insertion sensor only)
- F3 NPT 3/4"
- F4 NPT 3/4", stainless steel boss included
(stainless steel compression fitting, insertion sensor only)
- J1 DN40 dairy coupling DIN 11851
- K1 DN50 dairy coupling DIN 11851
- L1 Varivent >=DN50
- M1 Tri Clamp 1 1/2" ISO2852
- N1 Tri Clamp 2" ISO2852
- P1 DN50 aseptic coupling DIN 11864-1
- Y9 Special – please specify

Surface finish, wetted parts

- 1 Standard metal finish
- 2 Ra<1.5 µm/120 grit
- 3 Ra<0.8 µm/150 grit (3A/EHEDG)
- 5 Ra<1.5 µm/120 grit, O₂ duty
- 6 Ra<0.8 µm/150 grit, O₂ duty (3A/EHEDG)
- 7 Standard metal finish, O₂ duty
- 9 Special – please specify

Electronics & outputs

- A Relay output, no display, power supply –
18-30V DC/AC (50/60Hz)
- B Relay output, 4 digit LCD, power supply –
18-30V DC/AC (50/60Hz)
Stainless steel housing only
- Y Special – please specify

Housing & cable entry

- 4D Polyester housing IP66 M20 gland
- 4H Polyester housing NEMA4X NPT
1/2" entry
- 6D SS304 housing IP66 M20 gland
- 6H SS304 housing NEMA4X NPT 1/2" entry
- 9Y Special – please specify

Documentation

- 1 Standard documentation
- 2 EN10204-2.3 pressure test
1.5 x pressure rating for 3 minutes
- 3 3.1b extended documentation pack
- 9 Special – please specify

ATT11-

 Order Code

По вопросам продаж и поддержки обращайтесь:

Алматы (7273)495-231
Ангарск (3955)60-70-56
Архангельск (8182)63-90-72
Астрахань (8512)99-46-04
Барнаул (3852)73-04-60
Белгород (4722)40-23-64
Благовещенск (4162)22-76-07
Брянск (4832)59-03-52
Владивосток (423)249-28-31
Владикавказ (8672)28-90-48
Владимир (4922)49-43-18
Волгоград (844)278-03-48
Вологда (8172)26-41-59
Воронеж (473)204-51-73
Екатеринбург (343)384-55-89

Иваново (4932)77-34-06
Ижевск (3412)26-03-58
Иркутск (395)279-98-46
Казань (843)206-01-48
Калининград (4012)72-03-81
Калуга (4842)92-23-67
Кемерово (3842)65-04-62
Киров (8332)68-02-04
Коломна (4966)23-41-49
Кострома (4942)77-07-48
Краснодар (861)203-40-90
Красноярск (391)204-63-61
Курск (4712)77-13-04
Курган (3522)50-90-47
Липецк (4742)52-20-81

Магнитогорск (3519)55-03-13
Москва (495)268-04-70
Мурманск (8152)59-64-93
Набережные Челны (8552)20-53-41
Нижний Новгород (831)429-08-12
Новокузнецк (3843)20-46-81
Ноябрьск (3496)41-32-12
Новосибирск (383)227-86-73
Омск (3812)21-46-40
Орел (4862)44-53-42
Оренбург (3532)37-68-04
Пенза (8412)22-31-16
Петрозаводск (8142)55-98-37
Псков (8112)59-10-37
Пермь (342)205-81-47

Ростов-на-Дону (863)308-18-15
Рязань (4912)46-61-64
Самара (846)206-03-16
Санкт-Петербург (812)309-46-40
Саратов (845)249-38-78
Севастополь (8692)22-31-93
Саранск (8342)22-96-24
Симферополь (3652)67-13-56
Смоленск (4812)29-41-54
Сочи (862)225-72-31
Ставрополь (8652)20-65-13
Сургут (3462)77-98-35
Сыктывкар (8212)25-95-17
Тамбов (4752)50-40-97
Тверь (4822)63-31-35

Тольятти (8482)63-91-07
Томск (3822)98-41-53
Тула (4872)33-79-87
Тюмень (3452)66-21-18
Ульяновск (8422)24-23-59
Улан-Удэ (3012)59-97-51
Уфа (347)229-48-12
Хабаровск (4212)92-98-04
Чебоксары (8352)28-53-07
Челябинск (351)202-03-61
Череповец (8202)49-02-64
Чита (3022)38-34-83
Якутск (4112)23-90-97
Ярославль (4852)69-52-93

Россия +7(495)268-04-70

Казахстан +7(7172)727-132

Киргизия +996(312)96-26-47

эл.почта: ehr@nt-rt.ru || сайт: <https://endcounters.nt-rt.ru/>